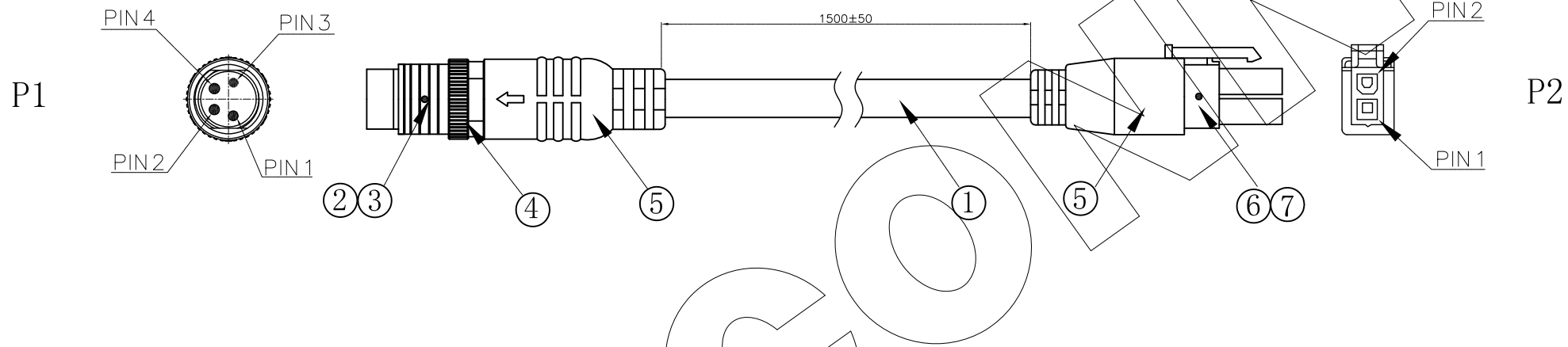


零件图	成品图	客户图
		○

REVISION DATA				
REV	ECN No.	DESCRIPTION	NAME	DATE
A0		NEW DRAWING	JIN	2020-10-31



NOTES:
 1. OPEN&SHORT 100% TEST
 2. CONDUCTION IMPEDANCE: 3Ω MAX
 3. INSULATION RESISTANCE: 10MΩ MIN
 4. TEST VOLTAGE: 300V DC.
 5. ALL MATERIALS COMPLY WITH "ROHS" ENVIRONMENTAL PROTECTION STANDARD.

PIN ASSIGNMENTS

P1		P2
1	BROWN	1
2	WHITE	2

NO.	NAME	SPECIFICATION	QTY	UNIT	REMARK
⑦	TER	PITCH4.2mm HOUSING 2PIN	2	PCS	
⑥	HSG	PITCH4.2mm TERMINAL TIN PLATED	1	PC	
⑤	PVC	PVC 45P BLACK	4	g	
④	NUT	NUT	1	PC	
③	TER	MALE PIN	4	PCS	
②	HSG	M8*1.0 4PIN MALE PLUG	1	PC	
①	CABLE	UL2464 2*22AWG 80°C 300V PVC BLACK	1.55	M	

ANYCONN® 东莞市恩康电子科技有限公司
 www.enkcom.com
 TEL:+86(0)769 8904 9672
 FAX:+86(0)769 8904 9671
 E-MAIL:sales@anycom.tw
DONGGUAN ENKANG ELECTRONICS TECHNOLOGY CO.,LTD

TOLERANCE	DATE :	2020-10-31	TITLE:		
ANGLE ±2°	DRAWN :	JIN	M8*1.0 PLUG TO PITCH4.2mm 2PIN HSG L=1500mm		
X.XXX ±0.03	CHECKED :		PART NO: EK-QL-065-3		
X.XX ±0.05	APPROVED :				
X.X ±0.10	PROJECTION		REV: A0	UNIT: mm	SCALE: N/A
X. ±0.15			SIZE: A4	PAGE: 1/1	