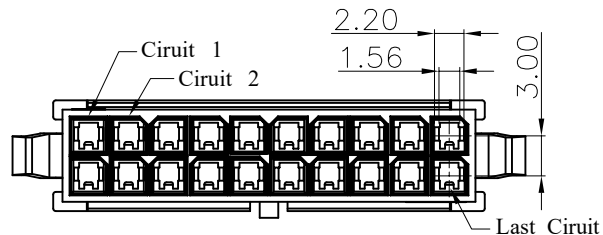


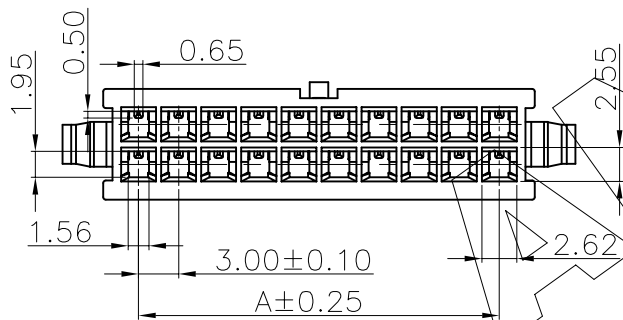
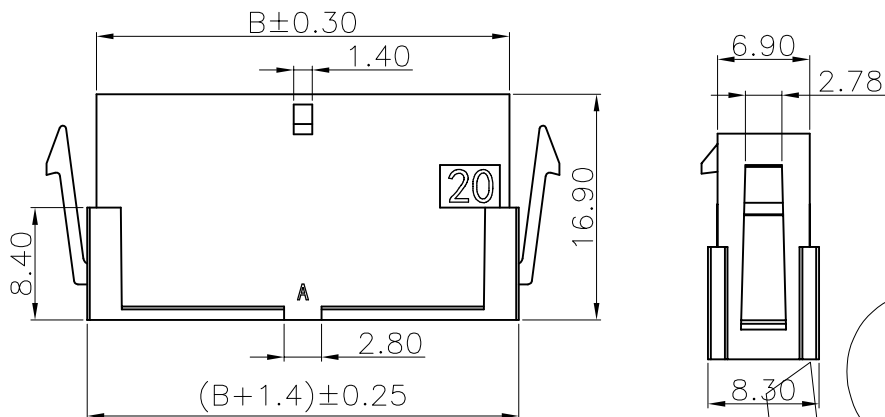
零件图	成品图	客户图
		○

REVISION DATA				
REV	ECN No.	DESCRIPTION	NAME	DATE
A0		NEW DRAWING	D.Y.Y	2023-03-04



Technical Data

Voltage Rating: 250V AC/DC
 Withstanding Voltage: 1000V AC/minute
 Temperature Range: -25°C~+85°C
 Insulation Resistance: 1000MΩ Min.
 Contact Resistance: ≤10mΩ
 After Environmental Testing: ≤20mΩ
 Material: PA66, UL94V-2(0).
 Mating Terminal: VHSFXXP1280A



Poles	Dimensions (mm)	
	A	B
2*1P	---	3.95
2*2P	3.00	6.95
2*3P	6.00	9.95
2*4P	9.00	12.95
2*5P	12.00	15.95
2*6P	15.00	18.95
2*7P	18.00	21.95
2*8P	21.00	24.95
2*9P	24.00	27.95
2*10P	27.00	30.95
2*11P	30.00	33.95
2*12P	33.00	36.95

VHS	F	12	XXX	B	X	C	R	06
F PH3.0	Pin位数 Product Type 11 Single row 12 Double row	Pin位数 No. of Positions XXX Positions	材质 A PBT B PA-66 C PA-6T D LCP E PA-46 F PA-9T H PA4T	颜色 B Black W White	特征流水码 N 常规 W 带柱 O 外柱 L 带卡钩 C 带翅膀	R ROHS L 无卤	Series No.	

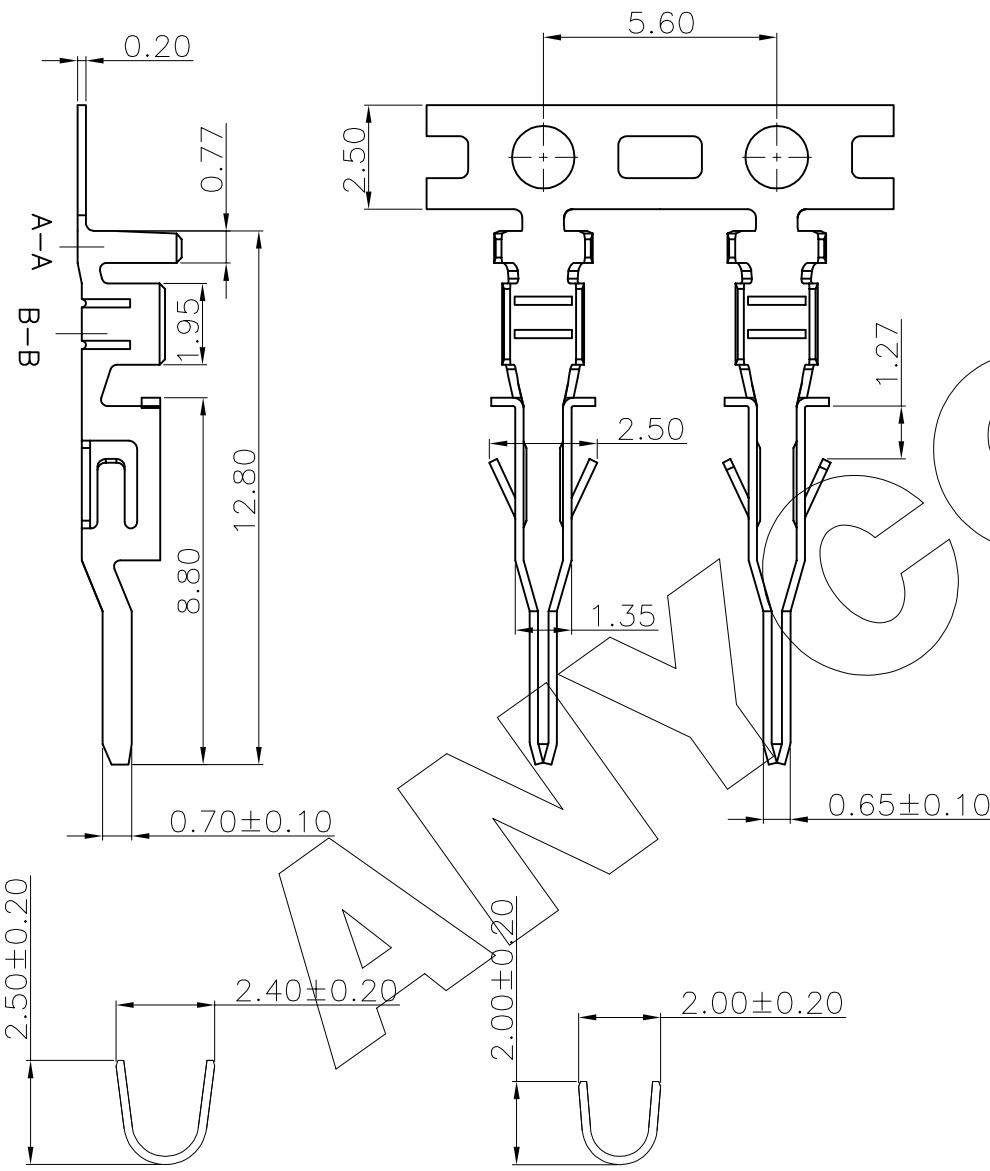
ANYCONN®
 www.anyconn.com
 TEL:+86(0)769 8904 9672
 FAX:+86(0)769 8904 9671
 E-MAIL:sales@anyconn.com

东莞市恩康电子科技有限公司
DONGGUAN ENKANG ELECTRONICS TECHNOLOGY CO.,LTD

TOLERANCE	DATE :	2023-03-04	TITLE:	Pitch3.0 H16.90 Housing
ANGLE ±5°	DRAWN :	D.Y.Y		
X.XXX ±0.10	CHECKED :		PART NO: VHSF12XXXBXCRO6	
X.XX ±0.20	APPROVED :			
X.X ±0.30	PROJECTON			
X. ±0.50			REV: A0	UNIT: mm
			SCALE: 1:1	SIZE: A4
			PAGE: 1/1	

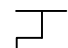
零件图	成品图	客户图
		○

REVISION DATA				
REV	ECN No.	DESCRIPTION	NAME	DATE
A0		NEW DRAWING	D.Y.Y	2023-03-04

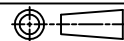


Technical Data

Voltage rating: 250V AC/DC
 Temperature range: -25°C~+85°C
 Insulation resistance: 1000MΩ Min.
 Withstanding voltage: 1500V AC/ minute
 Contact resistance: 20m Ω Max.
 Applicable Wires: AWG#20~#24
 Insulation O.D.:1.60mm MAX
 Material: Phosphor Bronze
 Finish: Gold or Tin plated over Nickel
 Qty/Reel: 10,000 PCS/Reel
 Mating Housing:VHSF11XXXBXCRO5
 VHSF12XXXBXCRO6
 Part No: VHSF XX P1280A

- 
 Pin Plating
 G0 Gold Flash
 G1 Gold 1u"
 SN Tin Plated
 S1 半金锡1u"

ANYCONN® 东莞市恩康电子科技有限公司
 www.enkcom.com
 TEL:+86(0)769 8904 9672
 FAX:+86(0)769 8904 9671
 E-MAIL:sales@anycom.tw
DONGGUAN ENKANG ELECTRONICS TECHNOLOGY CO.,LTD

TOLERANCE	DATE :	2023-03-04	TITLE:			
ANGLE ±5°	DRAWN :	D.Y.Y	PH3.0 Terminal			
X.XXX ±0.15	CHECKED :		PART NO: VHSFXXP1280A			
X.XX ±0.25	APPROVED :					
X.X ±0.38	PROJECTION		REV: A0	UNIT: mm	SCALE: 1:1	PAGE 1/1
X. ±0.50			SIZE: A4			