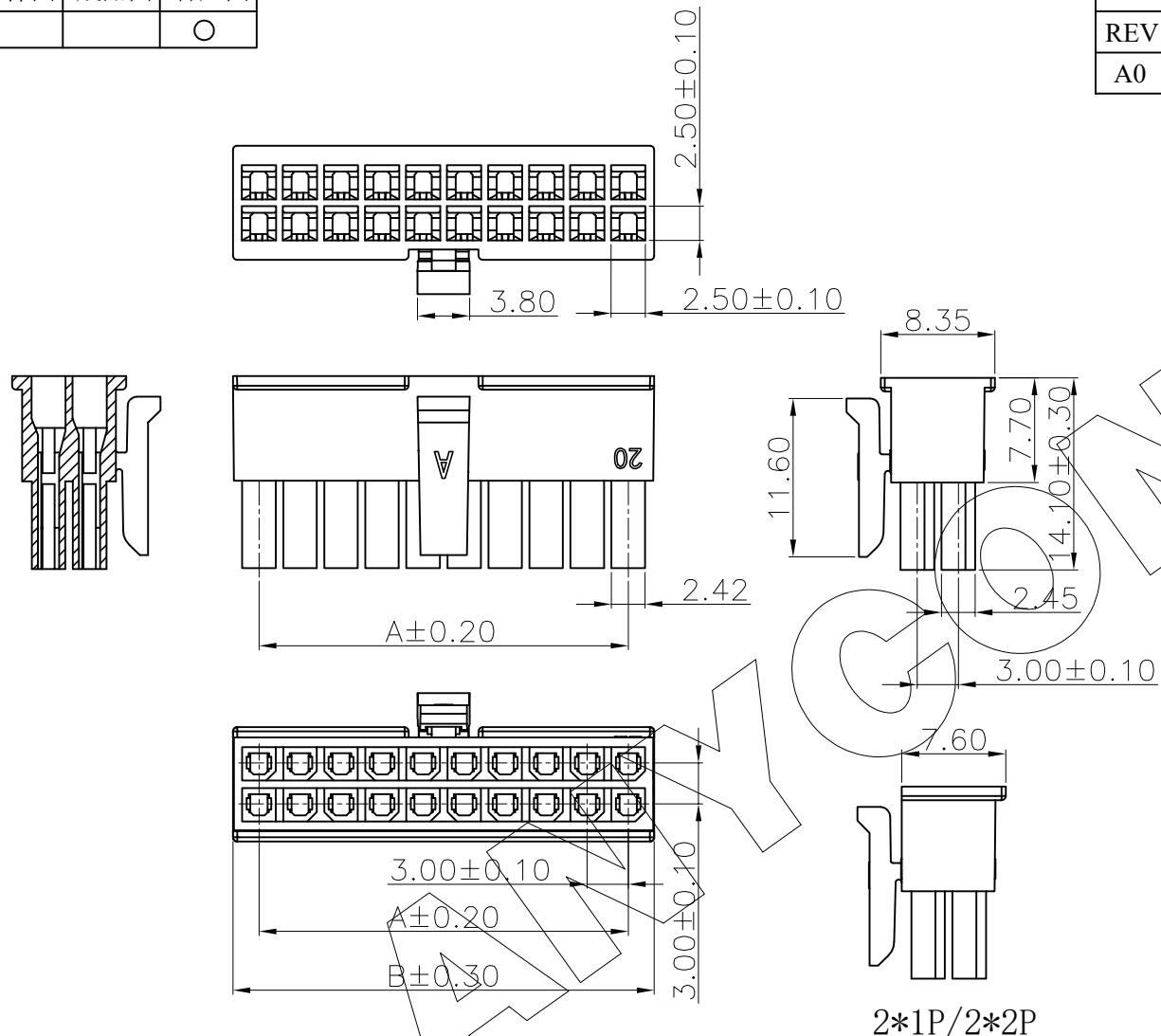


零件图	成品图	客户图
		○

REVISION DATA				
REV	ECN No.	DESCRIPTION	NAME	DATE
A0		NEW DRAWING	D.Y.Y	2023-03-04

Technical Data

Voltage Rating: 250V AC/DC
 Withstanding Voltage: 1000V AC/minute
 Temperature Range: -25°C~+85°C
 Insulation Resistance: 1000MΩ Min.
 Contact Resistance: ≤10mΩ
 After Environmental Testing: ≤20mΩ
 Material: PA66, UL94V-2(0).
 Mating Terminal: VHSFXXP1090A



Poles	Dimensions (mm)	
	A	B
2*1P	---	5.50
2*2P	3.00	8.50
2*3P	6.00	10.00
2*4P	9.00	13.00
2*5P	12.00	16.00
2*6P	15.00	19.00
2*7P	18.00	22.00
2*8P	21.00	25.00
2*9P	24.00	28.00
2*10P	27.00	31.00
2*11P	30.00	34.00
2*12P	33.00	37.00

VHS	F	12	XXX	B	X	L	R	03
F PH3.0	Pin位数 Product Type 11 Single row 12 Double row	Pin位数 No. of Positions XXX Positions	材质 A PBT B PA-66 C PA-6T D LCP E PA-46 F PA-9T H PA4T	颜色 B Black W White	特征流水码 N 常规 W 带柱 O 外柱 L 带卡钩 C 带翅膀	R ROHS L 无卤	Series No.	

ANYCONN®
 www.anyconn.com
 TEL:+86(0)769 8904 9672
 FAX:+86(0)769 8904 9671
 E-MAIL:sales@anyconn.com

东莞市恩康电子科技有限公司
DONGGUAN ENKANG ELECTRONICS TECHNOLOGY CO.,LTD

TOLERANCE	DATE :	2023-03-04	TITLE:
ANGLE ±5°	DRAWN :	D.Y.Y	Pitch3.0 H14.10 Housing
X.XXX ±0.10	CHECKED :		PART NO: VHSF12XXXBXLR03
X.XX ±0.20	APPROVED :		
X.X ±0.30	PROJECTON		REV: A0
X. ±0.50			UNIT: mm
			SCALE: 1:1
			SIZE: A4
			PAGE: 1/1

零件图	成品图	客户图
		○

REVISION DATA				
REV	ECN No.	DESCRIPTION	NAME	DATE
A0		NEW DRAWING	D.Y.Y	2023-03-04

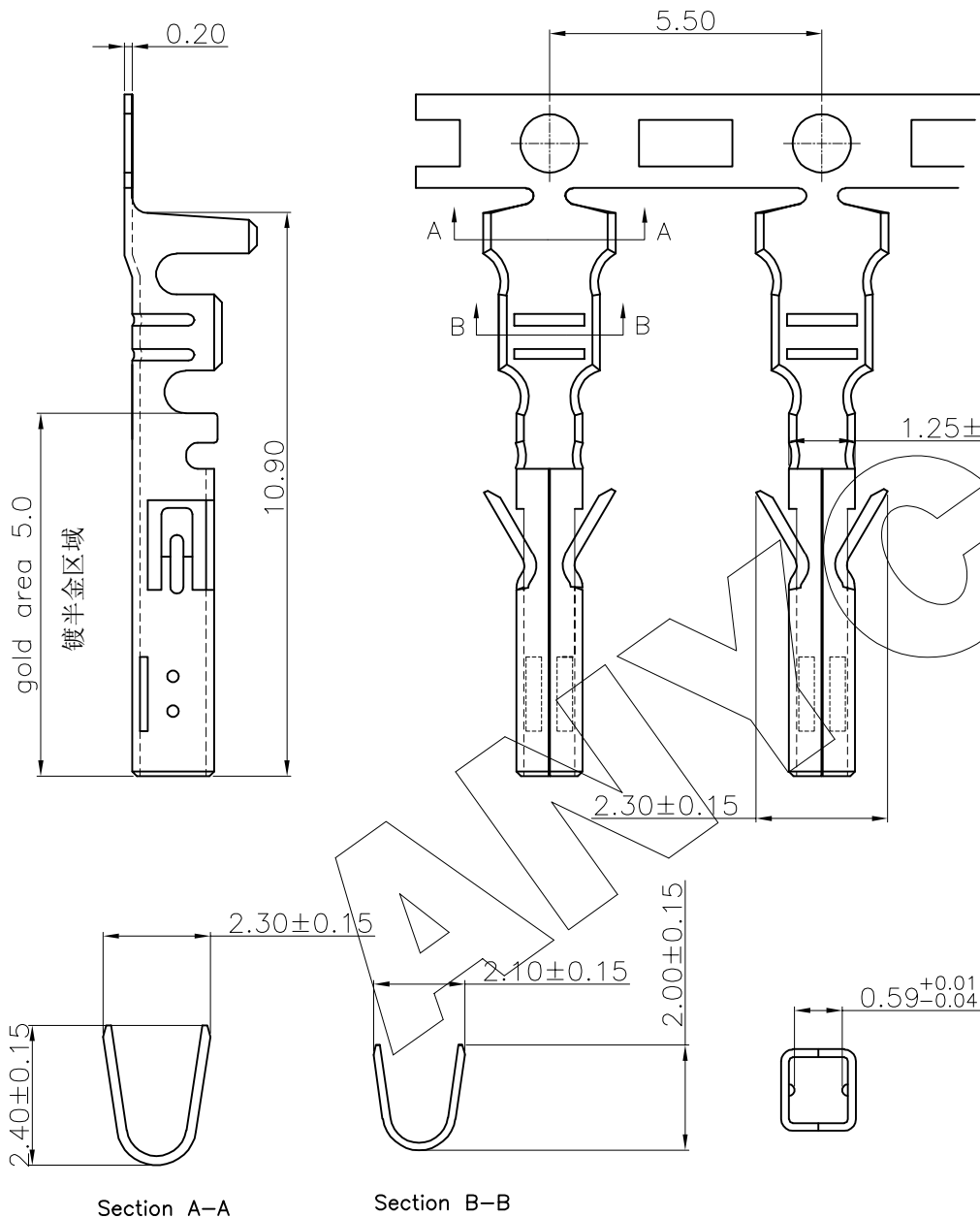
Technical Data

- 1.Voltage rating: 250V AC/DC
- 2.Temperature range: -25°C~+85°C
- 3.Insulation resistance: 1000MΩ Min.
- 4.Withstanding voltage: 1500V AC/ minute
- 5.Contact resistance: 20m Ω Max.
- 6.Applicable Wires: AWG#20~#24
Insulation O.D.:1.60mm MAX
- 7.Material: Phosphor Bronze
- 8.Finish: Gold or Tin plated over Nickel
- 9.Q'ty/Reel: 10,000 PCS/Reel
- 10.Mating Housing:VHSF11XXXBXL04
VHSF12XXXBXL03

Part No: VHSF XX P1090A

Pin Plating

- G0 Gold Flash
- G1 Gold 1u"
- SN Tin Plated
- S1 半金锡1u"



ANYCONN® 东莞市恩康电子科技有限公司
 www.enkcom.com
 TEL:+86(0)769 8904 9672
 FAX:+86(0)769 8904 9671
 E-MAIL:sales@anycom.tw

DONGGUAN ENKANG ELECTRONICS TECHNOLOGY CO.,LTD

TOLERANCE	DATE :	2023-03-04	TITLE:				
ANGLE ±5°	DRAWN :	D.Y.Y	PH3.0 Terminal				
X.XXX ±0.15	CHECKED :		PART NO: VHSFXXP1090A				
X.XX ±0.25	APPROVED :						
X.X ±0.38	PROJECTION		REV:	UNIT:	SCALE:	SIZE:	PAGE
X. ±0.50			A0	mm	1:1	A4	1/1