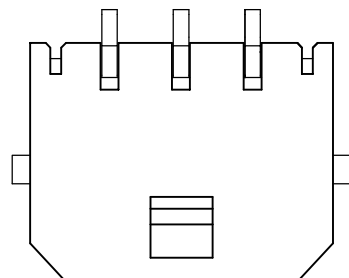


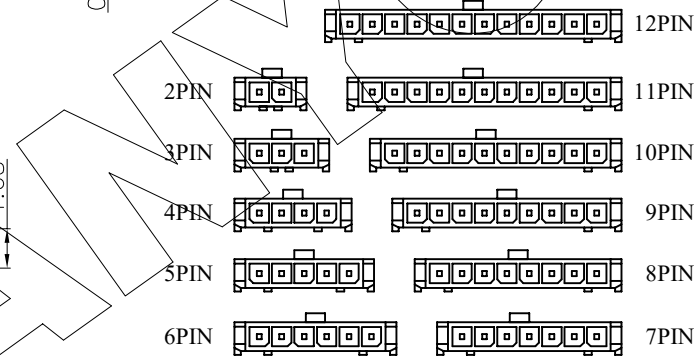
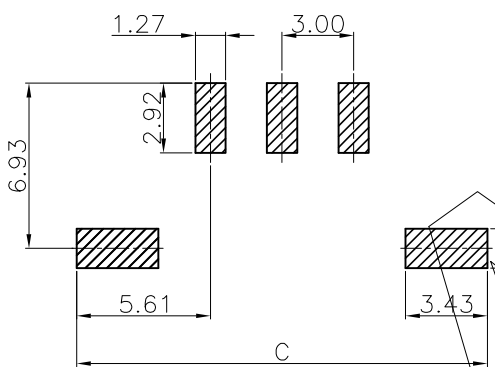
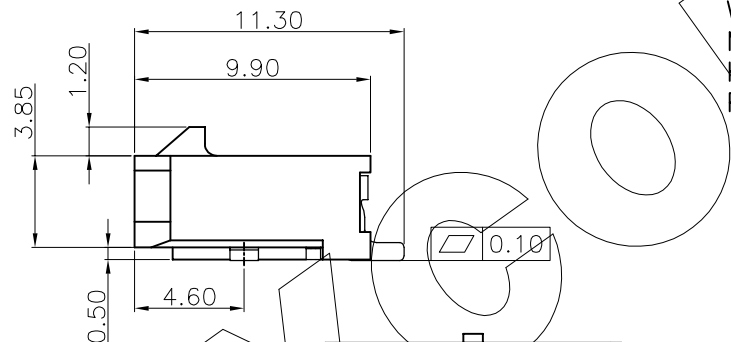
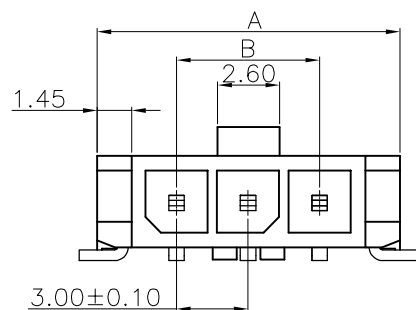
零件图 成品图 客户图

| REVISION DATA |         |             |       |            |
|---------------|---------|-------------|-------|------------|
| REV           | ECN No. | DESCRIPTION | NAME  | DATE       |
| A0            |         | NEW DRAWING | D.Y.Y | 2023-03-06 |



Technical Data

CURRENT RATING:5A AC/DC.  
 VOLTAGE RATING:250V AC/DC  
 TEMPERATURE RANGE:-25°C~+85°C.  
 Insulation resistance:1000MΩ Min.  
 Contact resistance: ≤10mΩ  
 After environmental testing: ≤20mΩ  
 Withstanding voltage: 1500V AC/minute.  
 Material:  
 Housing:LCP,UL94V-0.  
 PIN:Brass



| Poles | Dimensions (mm) |       |       |
|-------|-----------------|-------|-------|
|       | A               | B     | C     |
| 2     | 9.65            | 3.00  | 14.20 |
| 3     | 12.65           | 6.00  | 17.20 |
| 4     | 15.65           | 9.00  | 20.20 |
| 5     | 18.65           | 12.00 | 23.20 |
| 6     | 21.65           | 15.00 | 26.20 |
| 7     | 24.65           | 18.00 | 29.20 |
| 8     | 27.65           | 21.00 | 32.20 |
| 9     | 30.65           | 24.00 | 35.20 |
| 10    | 33.65           | 27.00 | 38.20 |
| 11    | 36.65           | 30.00 | 41.20 |
| 12    | 39.65           | 33.00 | 44.20 |

|   |  |                               |                               |  |                                |                                       |   |            |      |
|---|--|-------------------------------|-------------------------------|--|--------------------------------|---------------------------------------|---|------------|------|
| WF  | F  | H                             | 11                            | XXX  | XX                             | X                                     | D   | N          | H010 |
| Pitch(mm)<br>A 2.5<br>B 2.0<br>C 1.25<br>D 3.96<br>E 2.54<br>F 3.0<br>G 1.0 | Angel Options<br>R 90°<br>D 180°<br>S SMT<br>H 卧式SMT | Product Type<br>11 Single row | No. of Positions<br>XXX Poles | Pin Plating<br>G0 Gold Flash<br>SN Tin Plated<br>T3 雾锡 | Colour<br>B Black<br>N Natural | Insulator Material<br>B PA66<br>D LCP | W With peg<br>N NO Peg<br>L with lock<br>T Fixed Tabs | Series NO. |      |

**ANYCONN®** 东莞市恩康电子科技有限公司  
 www.anyconn.com  
 TEL:+86(0)769 8904 9672  
 FAX:+86(0)769 8904 9671  
 E-MAIL:sales@anyconn.com

**DONGGUAN ENKANG ELECTRONICS TECHNOLOGY CO.,LTD**

|             |            |            |                             |                     |            |          |           |
|-------------|------------|------------|-----------------------------|---------------------|------------|----------|-----------|
| TOLERANCE   | DATE :     | 2023-03-06 | TITLE:                      | PH 3.00 H9.90 Wafer |            |          |           |
| ANGLE ±5°   | DRAWN :    | D.Y.Y      | PART NO: WFFH11XXXXXXDNH010 |                     |            |          |           |
| X.XXX ±0.15 | CHECKED :  |            |                             |                     |            |          |           |
| X.XX ±0.25  | APPROVED : |            |                             |                     |            |          |           |
| X.X ±0.40   | PROJECTON  |            | REV: A0                     | UNIT: mm            | SCALE: 1:1 | SIZE: A4 | PAGE: 1/1 |