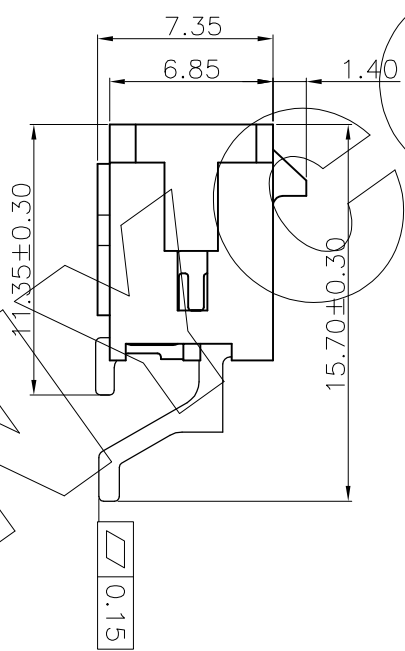
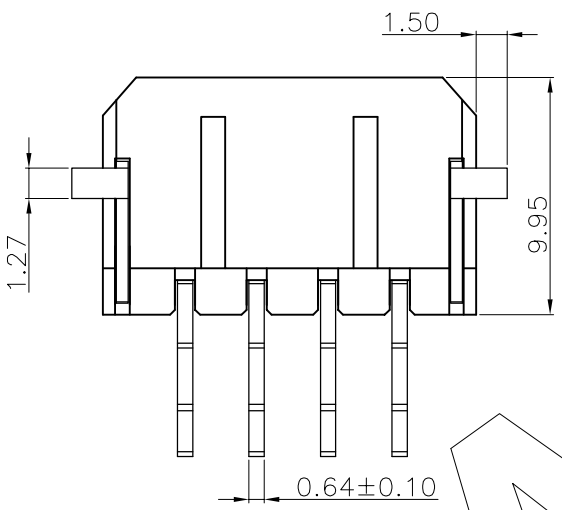
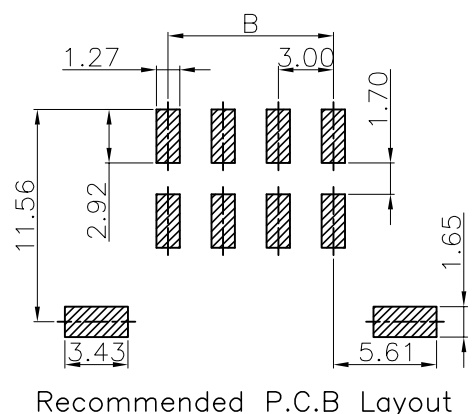
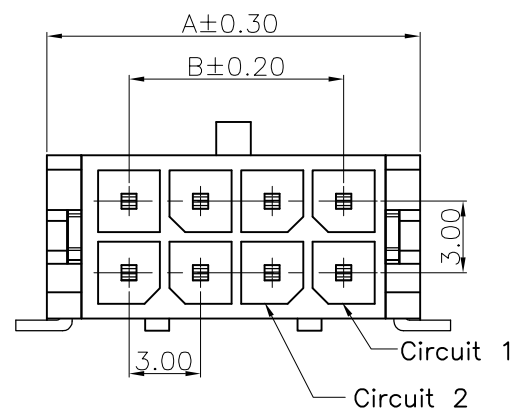


零件图	成品图	客户图
		○

REVISION DATA				
REV	ECN No.	DESCRIPTION	NAME	DATE
A0		NEW DRAWING	D.Y.Y	2023-03-06



Technical Data

CURRENT RATING:5A AC/DC.  
 VOLTAGE RATING:250V AC/DC  
 TEMPERATURE RANGE:-25°C~+85°C.  
 Insulation resistance:1000MΩ Min.  
 Contact resistance: ≤10mΩ  
 After environmental testing: ≤20mΩ  
 Withstanding voltage: 1500V AC/minute.  
 Material:  
 Housing:LCP,UL94V-0.  
 PIN:Brass

Poles	Dimensions (mm)		Poles	Dimensions (mm)	
	A	B		A	B
2*01	6.65	---	2*07	24.65	18.00
2*02	9.65	3.00	2*08	27.65	21.00
2*03	12.65	6.00	2*09	30.65	24.00
2*04	15.65	9.00	2*10	33.65	27.00
2*05	18.65	12.00	2*11	36.65	30.00
2*06	21.65	15.00	2*12	39.65	33.00

WF	F	H	12	XXX	XX	X	D	N	H012
Pitch(mm) A 2.5 B 2.0 C 1.25 D 3.96 E 2.54 F 3.0 G 1.0	Angel Options R 90° D 180° S SMT H 卧式SMT	Product Type 12 Double row	No. of Positions XXX Poles	Pin Plating G0 Gold Flash SN Tin Plated T3 雾锡	Colour B Black	Insulator Material B PA66 D LCP	W With peg N NO Peg L with lock T Fixed Tabs	Series NO.	

**ANYCONN®** 东莞市恩康电子科技有限公司  
 DONGGUAN ENKANG ELECTRONICS TECHNOLOGY CO.,LTD

www.anyconn.com  
 TEL:+86(0)769 8904 9672  
 FAX:+86(0)769 8904 9671  
 E-MAIL:sales@anycom.tw

TOLERANCE	DATE : 2023-03-06	TITLE: PH 3.00 H9.95 Wafer
ANGLE ±5°	DRAWN : D.Y.Y	PART NO: WFFH12XXXXXXDNH012
X.XXX ±0.15	CHECKED :	
X.XX ±0.25	APPROVED :	
X.X ±0.40	PROJECTON	REV: A0
X. ±0.50		UNIT: mm
		SCALE: 1:1
		SIZE: A4
		PAGE: 1/1