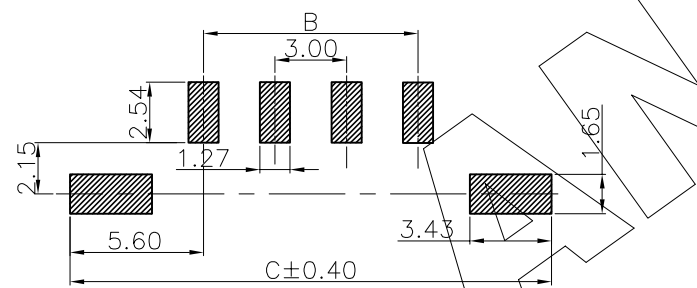
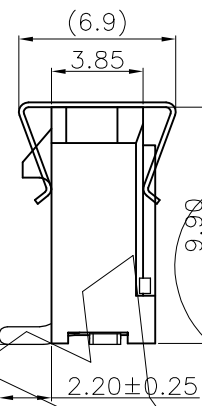
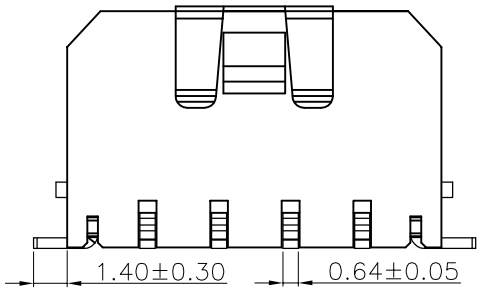
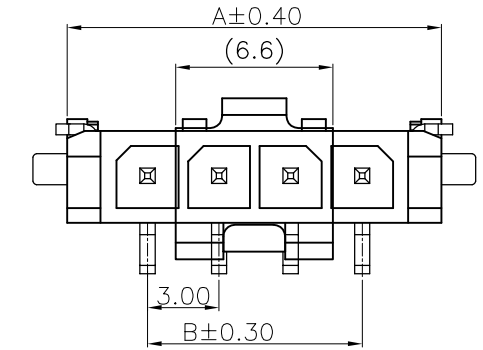


零件图	成品图	客户图
		○

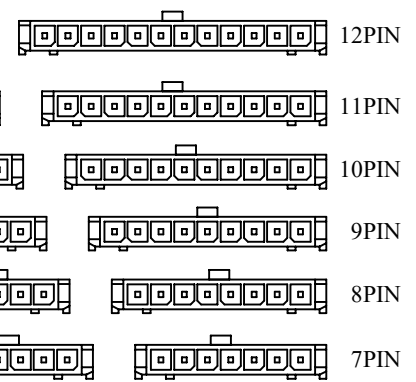
REVISION DATA				
REV	ECN No.	DESCRIPTION	NAME	DATE
A0		NEW DRAWING	D.Y.Y	2023-03-06

Technical Data

CURRENT RATING:5A AC/DC.
 VOLTAGE RATING:250V AC/DC
 TEMPERATURE RANGE:-25°C~+85°C.
 Insulation resistance:1000MΩ Min.
 Contact resistance: ≤10mΩ
 After environmental testing: ≤20mΩ
 Withstanding voltage: 1500V AC/minute.
 Material:
 Housing:LCP,UL94V-0.
 PIN:Brass



Recommended P.C.B Layout



孔位图

Poles	Dimensions(mm)		
	A	B	C
02	9.70	3.00	14.20
03	12.70	6.00	17.20
04	15.70	9.00	20.20
05	18.70	12.00	23.20
06	21.70	15.00	26.20
07	24.70	18.00	29.20
08	27.70	21.00	32.20
09	30.70	24.00	35.20
10	33.70	27.00	38.20
11	36.70	30.00	41.20
12	39.70	33.00	44.20

WF	F	H	11	XXX	XX	X	D	N	H011
Pitch(mm) A 2.5 B 2.0 C 1.25 D 3.96 E 2.54 F 3.0 G 1.0	Angel Options R 90° D 180° S SMT H 卧式SMT	Product Type 11 Single row	No. of Positions XXX Poles	Pin Plating G0 Gold Flash SN Tin Plated T3 雾锡	Colour B Black	Insulator Material B PA66 D LCP	W With peg N NO Peg L with lock T Fixed Tabs	Series NO. 有CAP帽	

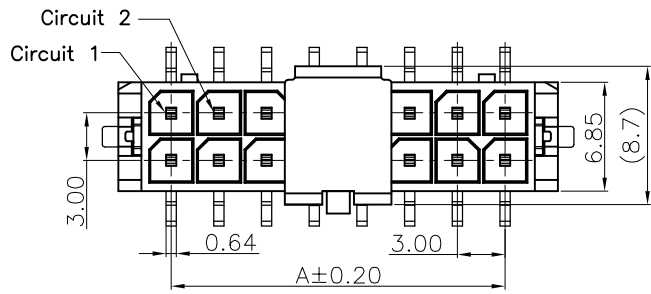
ANYCONN®
 www.anyconn.com
 TEL:+86(0)769 8904 9672
 FAX:+86(0)769 8904 9671
 E-MAIL:sales@anyconn.tw

东莞市恩康电子科技有限公司
DONGGUAN ENKANG ELECTRONICS TECHNOLOGY CO.,LTD

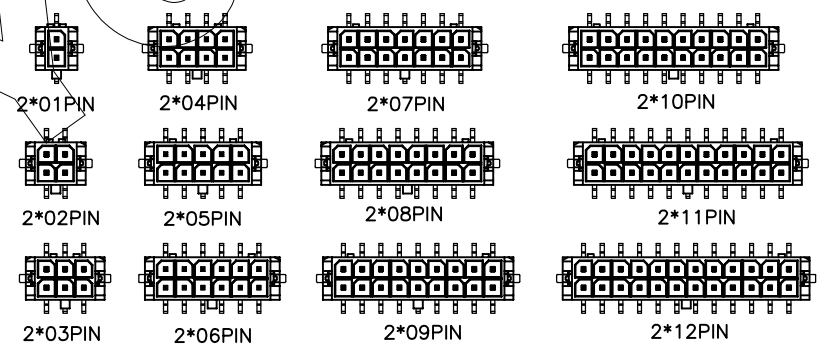
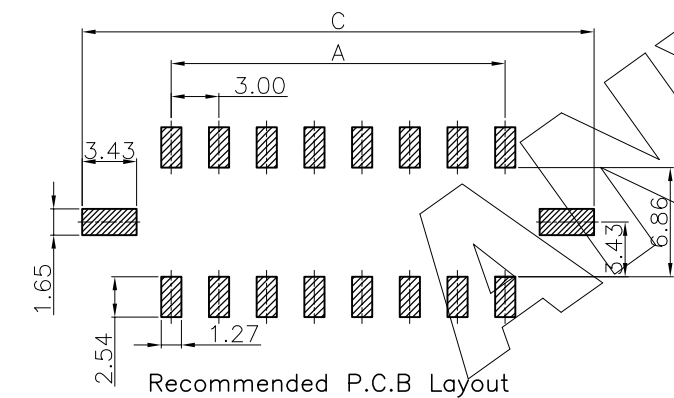
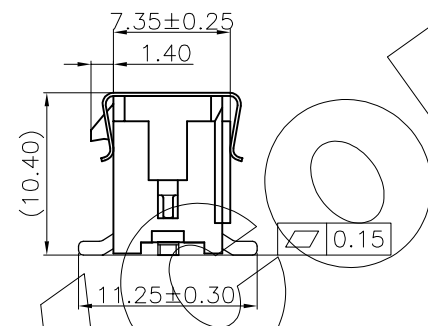
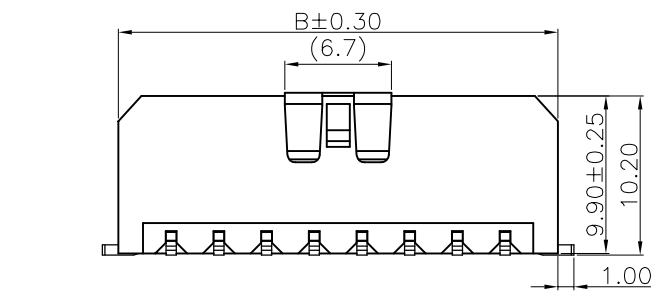
TOLERANCE	DATE :	2023-03-06	TITLE:	PH 3.00 H9.90 Wafer
ANGLE ±5°	DRAWN :	D.Y.Y		
X.XXX ±0.15	CHECKED :			
X.XX ±0.25	APPROVED :		PART NO: WFFH11XXXXXXDNH011	
X.X ±0.40	PROJECTON		REV: A0	UNIT: mm
X. ±0.50			SCALE: 1:1	SIZE: A4
			PAGE: 1/1	

零件图	成品图	客户图
		○

REVISION DATA				
REV	ECN No.	DESCRIPTION	NAME	DATE
A0		NEW DRAWING	D.Y.Y	2023-03-06



Technical Data
 CURRENT RATING:5A AC/DC.
 VOLTAGE RATING:250V AC/DC
 TEMPERATURE RANGE:-25°C~+85°C.
 Insulation resistance:1000MΩ Min.
 Contact resistance: ≤10mΩ
 After environmental testing: ≤20mΩ
 Withstanding voltage: 1500V AC/minute.
 Material:
 Housing:LCP,UL94V-0.
 PIN:Brass



Poles	Dimensions(mm)		
	A	B	C
2*01	---	6.65	11.20
2*02	3.00	9.65	14.20
2*03	6.00	12.65	17.20
2*04	9.00	15.65	20.20
2*05	12.00	18.65	23.20
2*06	15.00	21.65	26.20
2*07	18.00	24.65	29.20
2*08	21.00	27.65	32.20
2*09	24.00	30.65	35.20
2*10	27.00	33.65	38.20
2*11	30.00	36.65	41.20
2*12	33.00	39.65	44.20

WF	F	S	12	XXX	XX	X	D	N	S013
Pitch(mm) A 2.5 B 2.0 C 1.25 D 3.96 E 2.54 F 3.0 G 1.0	Angel Options R 90° D 180° S SMT H 卧式SMT	Product Type 12 Double row	No. of Positions XXX Poles	Pin Plating G0 Gold Flash SN Tin Plated T3 雾锡	Colour B Black	Insulator Material A PBT B PA66 C PA6T D LCP E PA46 F PA9T G PA4T	W With peg N NO Peg L with lock T Fixed Tabs	Series NO. With CAP	

ANYCONN® 东莞市恩康电子科技有限公司
 www.anyconn.com
 TEL:+86(0)769 8904 9672
 FAX:+86(0)769 8904 9671
 E-MAIL:sales@anyconn.tw

DONGGUAN ENKANG ELECTRONICS TECHNOLOGY CO.,LTD

TOLERANCE	DATE :	2023-03-06	TITLE:	Wafer PH 3.00 H9.90 SMT
ANGLE ±5°	DRAWN :	D.Y.Y	PART NO: WFFS12XXXXXXDNS013	REV: A0 UNIT: mm SCALE: 1:1 SIZE: A4 PAGE: 1/1
X.XXX ±0.15	CHECKED :			
X.XX ±0.25	APPROVED :			
X.X ±0.40	PROJECTON			
X. ±0.50				