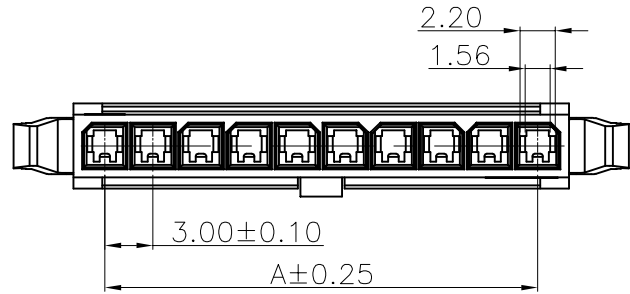


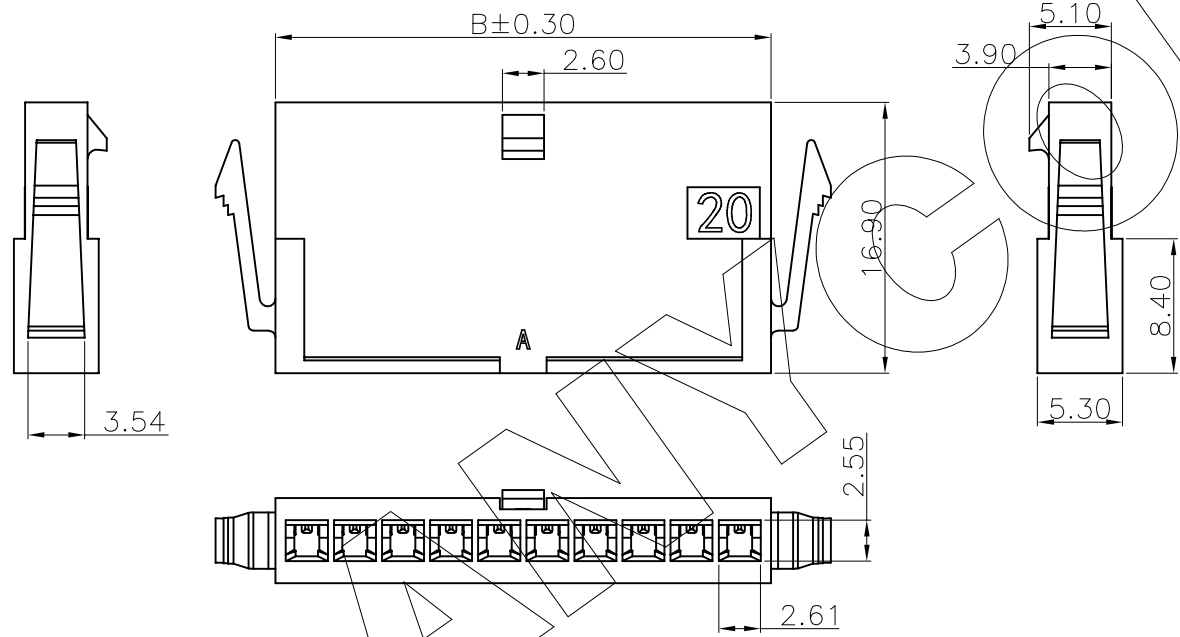
零件图	成品图	客户图
		○

REVISION DATA				
REV	ECN No.	DESCRIPTION	NAME	DATE
A0		NEW DRAWING	D.Y.Y	2023-03-04



Technical Data

Voltage Rating: 250V AC/DC
 Withstanding Voltage: 1000V AC/minute
 Temperature Range: -25°C~+85°C
 Insulation Resistance: 1000MΩ Min.
 Contact Resistance: ≤10mΩ
 After Environmental Testing: ≤20mΩ
 Material: PA66, UL94V-2(0).
 Mating Terminal: VHSFXXP1280A



Poles	Dimensions (mm)	
	A	B
02	3.00	6.95
03	6.00	9.95
04	9.00	12.95
05	12.00	15.95
06	15.00	18.95
07	18.00	21.95
08	21.00	24.95
09	24.00	27.95
10	27.00	30.95
11	30.00	33.95
12	33.00	36.95

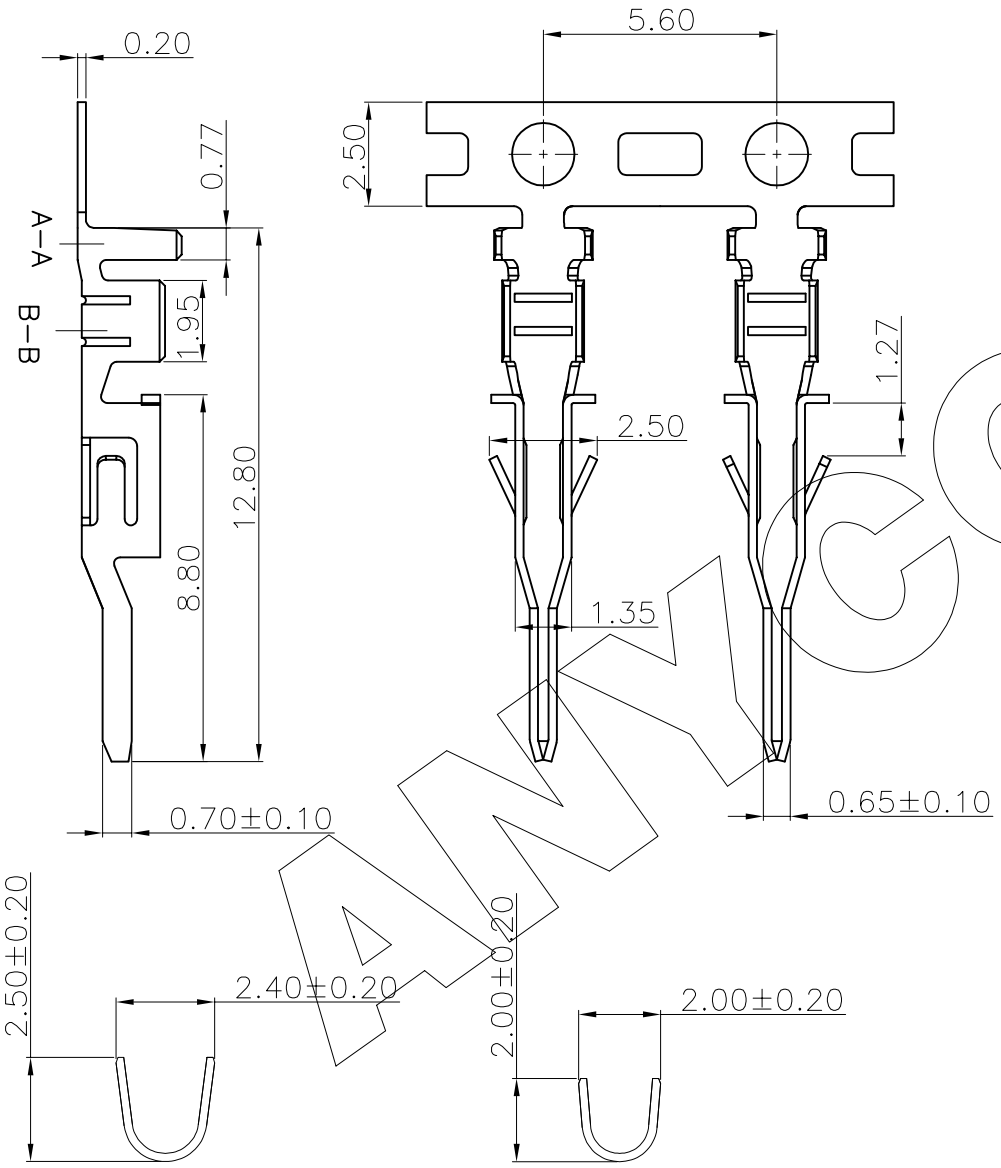
VHS	F	11	XXX	B	X	C	R	05
F PH3.0	Pin位数 Product Type 11 Single row 12 Double row	Pin位数 No. of Positions XXX Positions	材质 A PBT B PA-66 C PA-6T D LCP E PA-46 F PA-9T H PA4T	颜色 B Black W White	特征流水码 N 常规 W 带柱 O 外柱 L 带卡钩 C 带翅膀	R ROHS L 无卤	Series No.	

ANYCONN® 东莞市恩康电子科技有限公司
 www.anyconn.com
 TEL:+86(0)769 8904 9672
 FAX:+86(0)769 8904 9671
 E-MAIL:sales@anycom.tw
DONGGUAN ENKANG ELECTRONICS TECHNOLOGY CO.,LTD

TOLERANCE	DATE :	2023-03-04	TITLE:
ANGLE ±5°	DRAWN :	D.Y.Y	Pitch3.0 H16.90 Housing
X.XXX ±0.10	CHECKED :		PART NO: VHSF11XXXBXC05
X.XX ±0.20	APPROVED :		
X.X ±0.30	PROJECTON		REV: A0
X. ±0.50			UNIT: mm
			SCALE: 1:1
			SIZE: A4
			PAGE: 1/1

零件图	成品图	客户图
		○

REVISION DATA				
REV	ECN No.	DESCRIPTION	NAME	DATE
A0		NEW DRAWING	D.Y.Y	2023-03-04

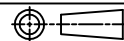


Technical Data

Voltage rating: 250V AC/DC
 Temperature range: -25°C~+85°C
 Insulation resistance: 1000MΩ Min.
 Withstanding voltage: 1500V AC/ minute
 Contact resistance: 20m Ω Max.
 Applicable Wires: AWG#20~#24
 Insulation O.D.:1.60mm MAX
 Material: Phosphor Bronze
 Finish: Gold or Tin plated over Nickel
 Qty/Reel: 10,000 PCS/Reel
 Mating Housing:VHSF11XXXBXCR05
 VHSF12XXXBXCR06
 Part No: VHSF XX P1280A

- 
 Pin Plating
 G0 Gold Flash
 G1 Gold 1u"
 SN Tin Plated
 S1 半金锡1u"

ANYCONN® 东莞市恩康电子科技有限公司
 www.enkcom.com
 TEL:+86(0)769 8904 9672
 FAX:+86(0)769 8904 9671
 E-MAIL:sales@anycom.tw
DONGGUAN ENKANG ELECTRONICS TECHNOLOGY CO.,LTD

TOLERANCE	DATE :	2023-03-04	TITLE:				
ANGLE ±5°	DRAWN :	D.Y.Y	PH3.0 Terminal				
X.XXX ±0.15	CHECKED :		PART NO: VHSFXXP1280A				
X.XX ±0.25	APPROVED :						
X.X ±0.38	PROJECTION		REV:	UNIT:	SCALE:	SIZE:	PAGE
X. ±0.50			A0	mm	1:1	A4	1/1