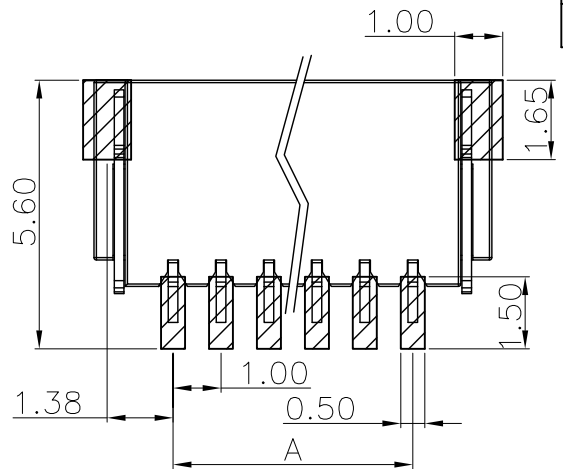
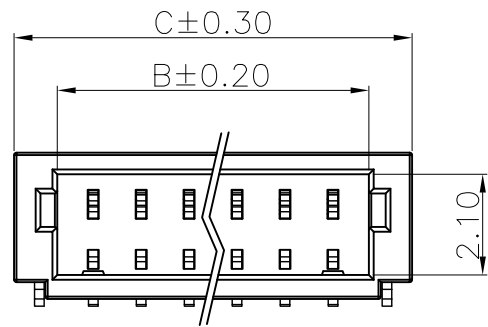
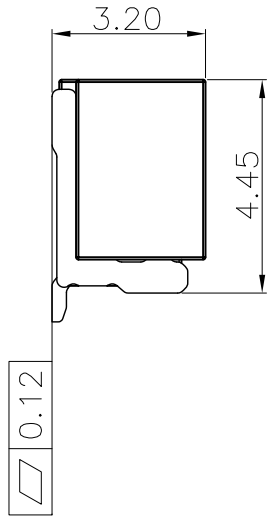
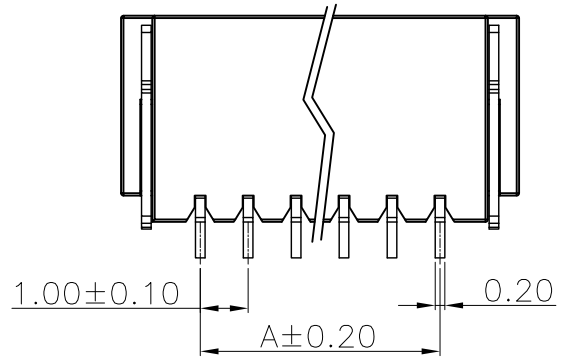


零件图	成品图	客户图
		○

REVISION DATA				
REV	ECN No.	DESCRIPTION	NAME	DATE
A0		NEW DRAWING	D.Y.Y	2023-03-13



Recommended P.C.B Layout



Technical Data

CURRENT RATING:1A AC/DC.
 VOLTAGE RATING:50V AC/DC
 TEMPERATURE RANGE:-25°C~+85°C.
 Insulation resistance:100MΩ Min.
 Contact resistance: ≤30mΩ
 Withstanding voltage: 250V AC/minute.
 Material:
 Housing:LCP,UL94V-0.
 PIN:Copper Alloy

POLES	A	B	C
2P	1.0	2.5	4.3
3P	2.0	3.5	5.3
4P	3.0	4.5	6.3
5P	4.0	5.5	7.3
6P	5.0	6.5	8.3
7P	6.0	7.5	9.3
8P	8.0	8.5	10.3
9P	9.0	9.5	11.3
10P	10.0	10.5	12.3
11P	11.0	11.5	13.3
12P	12.0	12.5	14.3
13P	13.0	13.5	15.3
14P	14.0	14.5	16.3
15P	15.0	15.5	17.3
16P	16.0	16.5	18.3

WF	G	H	11	XXX	XX	X	D	N	H016
Pitch(mm) A 2.5 B 2.0 C 1.25 D 3.96 E 2.54 F 3.0 G 1.0	Angel Options R 90° D 180° S SMT H 卧式SMT	Product Type 11 Single row	No. of Positions XXX Poles	Pin Plating G0 Gold Flash SN Tin Plated T3 雾锡	Colour B Black W White	Insulator Material B PA66 D LCP	W With peg N NO Peg L with lock T Fixed Tabs	Series NO.	

ANYCONN® 东莞市恩康电子科技有限公司
 www.anyconn.com
 TEL:+86(0)769 8904 9672
 FAX:+86(0)769 8904 9671
 E-MAIL:sales@anyconn.com

DONGGUAN ENKANG ELECTRONICS TECHNOLOGY CO.,LTD

TOLERANCE	DATE :	2023-03-13	TITLE:
ANGLE ±5°	DRAWN :	D.Y.Y	Wafer PH1.0 W3.05
X.XXX ±0.15	CHECKED :		PART NO: WFGH11XXXXXXDNH016
X.XX ±0.25	APPROVED :		
X.X ±0.40	PROJECTON		
X. ±0.50	REV: A0	UNIT: mm	SCALE: 1:1
		SIZE: A4	PAGE: 1/1