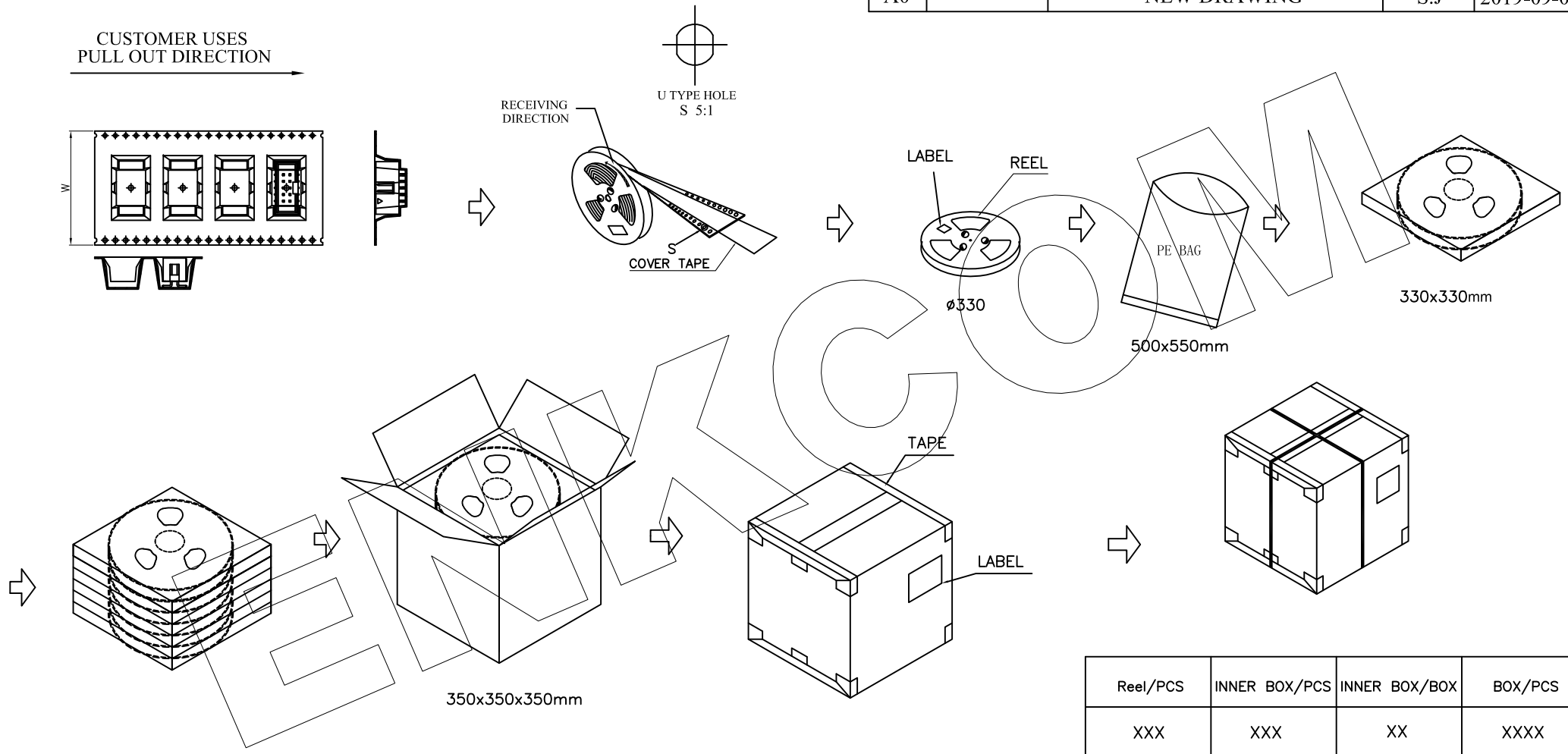


| REVISION DATA | | | | |
|---------------|---------|-------------|------|------------|
| REV | ECN No. | DESCRIPTION | NAME | DATE |
| A0 | | NEW DRAWING | S.J | 2019-09-09 |



PACKAGE DESCRIPTION:
 STEP 1: PUT THE FINISHED PRODUCT INTO THE REEL OF REEL, AND LABEL EACH ROLL
 STEP 2: PUT THE REEL INTO THE VACUUM BAG, REMOVE THE VACUUM, AND THEN PUT IT INTO THE INNER BOX. STEP 3: FOLD THE INNER BOX AND PUT IT INTO AN OUTER BOX
 STEP 4: SEAL THE BOX WITH ADHESIVE TAPE
 STEP 5: LABEL THE UPPER RIGHT CORNER OF THE UPPER SIDE OF THE OUTER BOX
 STEP 6: PACK THE TIE

| Reel/PCS | INNER BOX/PCS | INNER BOX/BOX | BOX/PCS |
|----------|---------------|---------------|---------|
| XXX | XXX | XX | XXXX |

ENKCOM® 东莞市恩康电子科技有限公司
 www.enkcom.com
 TEL:+86(0)769 8904 9672
 FAX:+86(0)769 8904 9671
 E-MAIL:sales@anycom.tw
DONGGUAN ENKANG ELECTRONICS TECHNOLOGY CO.,LTD

| | | | | |
|------------|-------------|------------|--------------------------------|----------|
| TOLERANCE | DATE : | 2019-09-09 | TITLE: | |
| | ANGLE ±5° | DRAWN : | PHI.27 Box Header-Reel Packing | |
| | X.XXX ±0.15 | CHECKED : | PART NO: BHXXXXX12XXXXXXXXXXXX | |
| X.XX ±0.25 | APPROVED : | | | |
| X.X ±0.40 | PROJECTON | | REV: A1 | UNIT: mm |
| X. ±0.50 | | | SCALE: 1:1 | SIZE: A4 |
| | | | PAGE: 1/1 | |