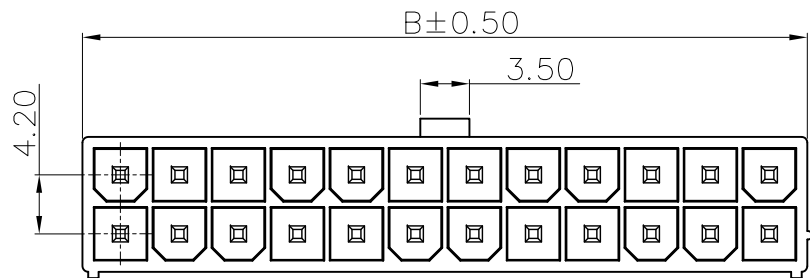


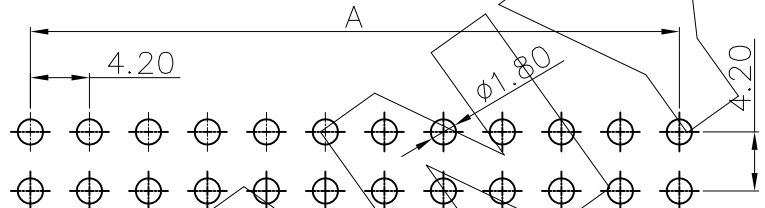
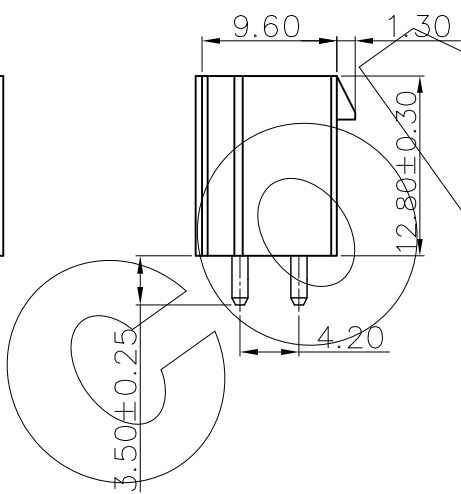
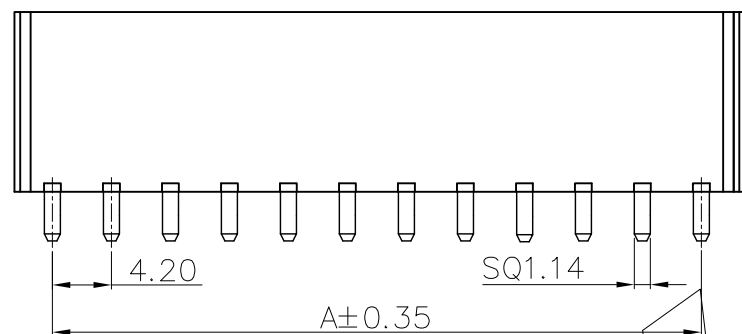
零件图	成品图	客户图
		○

REVISION DATA				
REV	ECN No.	DESCRIPTION	NAME	DATE
A0		NEW DRAWING	D.Y.Y	2023-03-03



Technical Data

Current rating: 9A AC/DC.
Voltage rating: 600V AC/DC
Temperature range: -25°C~+85°C.
Insulation resistance: 1000MΩ Min.
Contact resistance: ≤10mΩ
After environmental testing: ≤20mΩ
Withstanding voltage: 1500V AC/minute.
Material:
Housing: PA66.UL94V-0.
PIN: Brass



Recommended P.C.B Layout

Poles	Dimensions (mm)	
	A	B
02	---	5.40
04	4.20	9.60
06	8.40	13.80
08	12.60	18.00
10	16.80	22.20
12	21.00	26.40
14	25.20	30.60
16	29.40	34.80
18	33.60	39.00
20	37.80	43.20
22	42.00	47.40
24	46.20	51.60

WF	J	D	12	XXX	XX	X	X	N	D015
Pitch(mm) J 4.20	Angel Options R 90° D 180° S SMT H 卧式SMT	Product Type 11 Single row 12 Double row	No. of Positions XXX Poles	Pin Plating G0 Gold Flash SN Tin Plated T3 雾锡	Colour B Black W White L Blue G Green Y Yellow R Red N Natural	Insulator Material A PBT B PA66 C PA6T D LCP E PA46 F PA9T G PA4T	W With peg N NO Peg L with lock T Fixed Tabs	Series NO.	

ANYCONN® 东莞市恩康电子科技有限公司
DONGGUAN ENKANG ELECTRONICS TECHNOLOGY CO.,LTD

www.anyconn.com
TEL:+86(0)769 8904 9672
FAX:+86(0)769 8904 9671
E-MAIL:sales@anyconn.com

TOLERANCE	DATE : 2023-03-03	TITLE: PH 4.2 H12.8 W9.6 180° wafer
ANGLE ±5°	DRAWN : D.Y.Y	PART NO: WFJD12XXXXXXXXND015
X.XXX ±0.15	CHECKED :	
X.XX ±0.25	APPROVED :	
X.X ±0.40	PROJECTON	REV: A0
X. ±0.50		UNIT: mm
		SCALE: 1:1
		SIZE: A4
		PAGE: 1/1