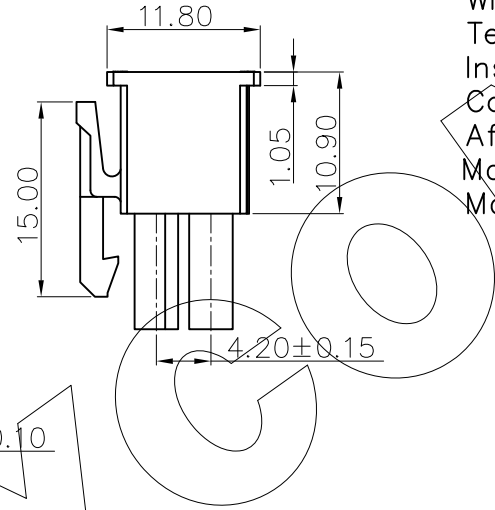
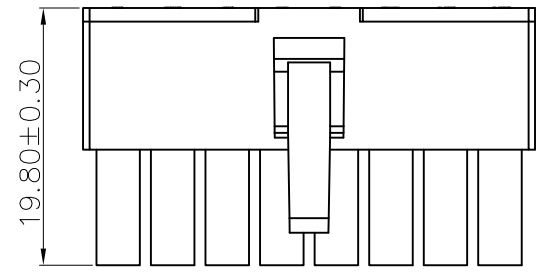
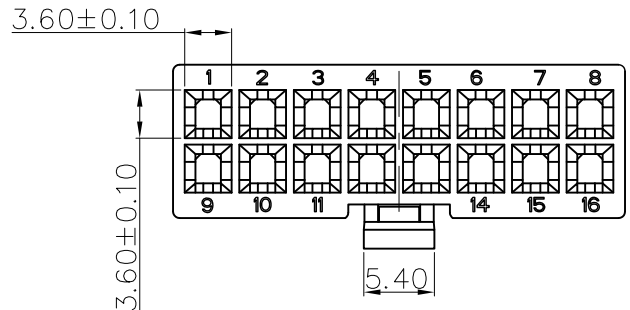


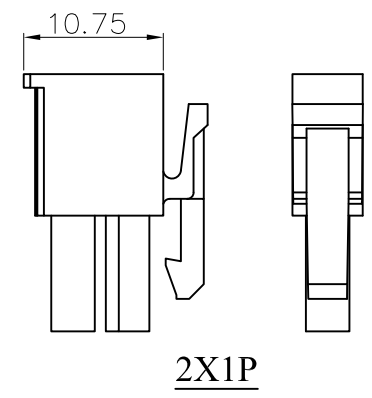
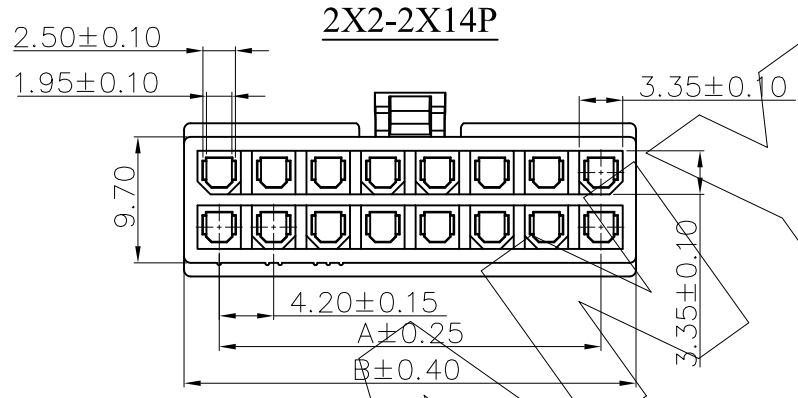
零件图	成品图	客户图
		○

REVISION DATA				
REV	ECN No.	DESCRIPTION	NAME	DATE
A0		NEW DRAWING	D.Y.Y	2023-03-03



Technical Data

Voltage Rating: 600V AC/DC  
 Current Rating: 9A AC/DC  
 Withstanding Voltage: 1500V AC/minute  
 Temperature Range: -25°C~+85°C  
 Insulation Resistance: 1000MΩ Min.  
 Contact Resistance: ≤10mΩ  
 After Environmental Testing: ≤20mΩ  
 Material: PA66,UL94V-0.  
 Mating Terminal: VHSJXXB1450A



Poles	Dimensions (mm)	
	A	B
2*1P	---	5.70
2*2P	4.20	9.90
2*3P	8.40	13.80
2*4P	12.60	18.00
2*5P	16.80	22.20
2*6P	21.00	26.40
2*7P	25.20	30.60
2*8P	29.40	34.80
2*9P	33.60	39.00
2*10P	37.80	43.20
2*11P	42.00	47.40
2*12P	46.20	51.60
2*14P	54.60	60.40

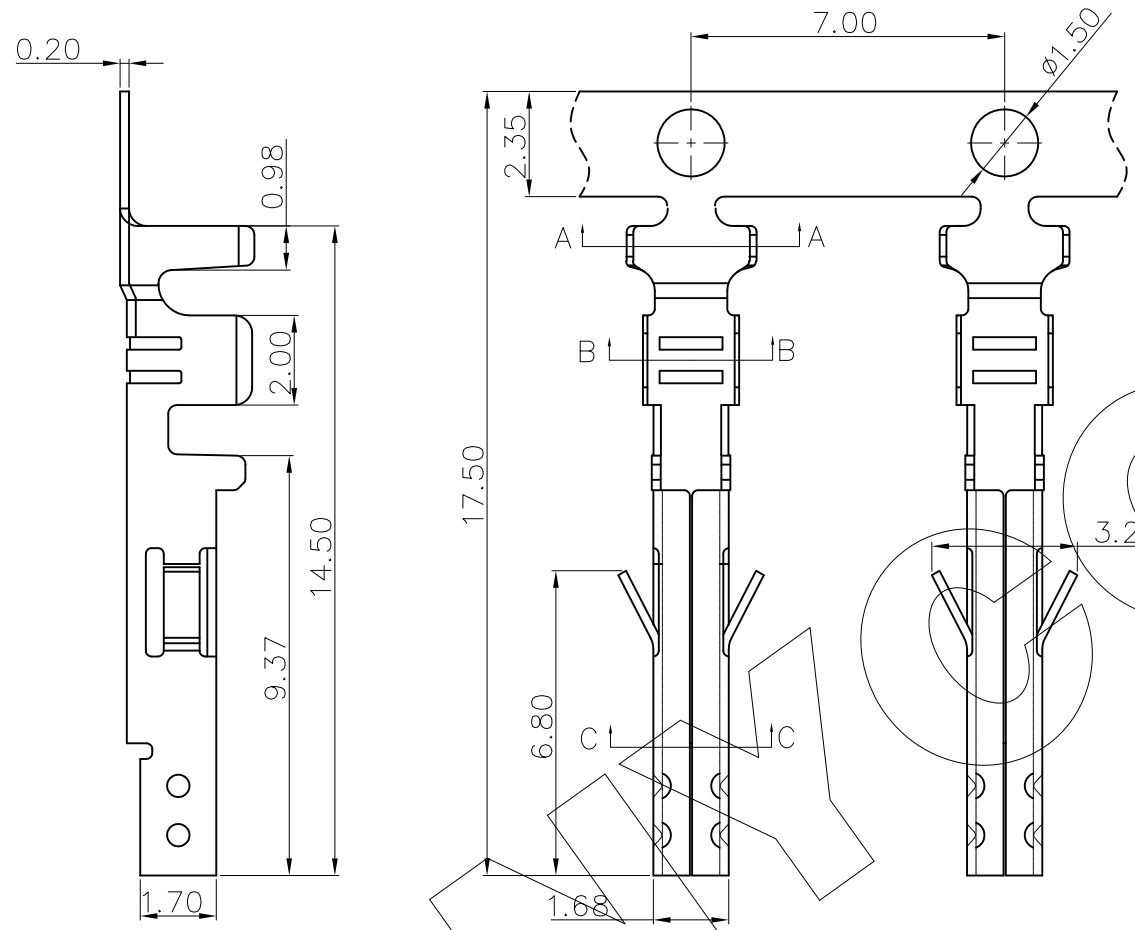
VHS	J	12	XXX	B	X	L	R	09
J PH4.2	Pin位数 Product Type 11 Single row 12 Double row	Pin位数 No. of Positions XXX Positions	材质 A PBT B PA-66 C PA-6T D LCP E PA-46 F PA-9T H PA4T	颜色 B Black W White	特征流水码 N 常规 W 带柱 O 外柱 L 带卡钩 C 带翅膀	R ROHS L 无卤	Series No.	

**ANYCONN®** 东莞市恩康电子科技有限公司  
 www.anyconn.com  
 TEL:+86(0)769 8904 9672  
 FAX:+86(0)769 8904 9671  
 E-MAIL:sales@anycom.tw  
**DONGGUAN ENKANG ELECTRONICS TECHNOLOGY CO.,LTD**

TOLERANCE	DATE :	2023-03-03	TITLE:	Pitch4.20 H19.80 Housing	
ANGLE ±5°	DRAWN :	D.Y.Y	PART NO: VHSJ12XXXBXLR09	REV:	A0
X.XXX ±0.10	CHECKED :			UNIT:	mm
X.XX ±0.20	APPROVED :			SCALE:	1:1
X.X ±0.30	PROJECTON		SIZE:	A4	
X. ±0.50			PAGE:	1/1	

零件图	成品图	客户图
		○

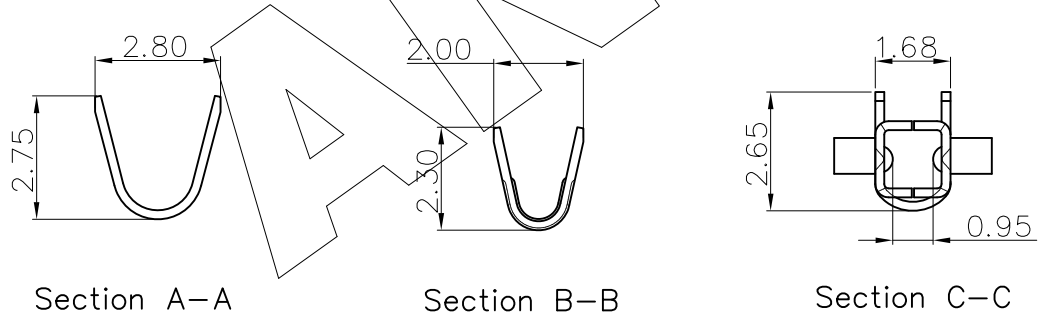
REVISION DATA				
REV	ECN No.	DESCRIPTION	NAME	DATE
A0		NEW DRAWING	D.Y.Y	2023-03-03



### Technical Data

1. Current rating: 7A AC/DC.
2. Voltage rating: 250V AC/DC
3. Temperature range:  $-25^{\circ}\text{C} \sim +85^{\circ}\text{C}$
4. Insulation resistance: 1000M $\Omega$  Min.
5. Withstanding voltage: 1500V AC/ minute
6. Contact resistance: 20m  $\Omega$  Max.
7. Applicable Wires: AWG#18~#22  
Insulation O.D.: 3.00mm MAX
8. Material: Brass
9. Finish: Gold or Tin plated over Nickel
10. Q'ty/Reel: 10,000 PCS/Reel
11. Mating Housing: VHSJ12XXXBXLRO9

Part No: VHSJ XX B 1450 A  
 B Brass  
 Pin Plating  
 G0 Gold Flash  
 G1 Gold 1u"  
 SN Tin Plated



**ANYCONN®** 东莞市恩康电子科技有限公司  
 www.enkcom.com  
 TEL:+86(0)769 8904 9672  
 FAX:+86(0)769 8904 9671  
 E-MAIL:sales@anyconn.tw  
**DONGGUAN ENKANG ELECTRONICS TECHNOLOGY CO.,LTD**

TOLERANCE	DATE :	2023-03-03	TITLE:				
ANGLE $\pm 5^{\circ}$	DRAWN :	D.Y.Y		PH4.2 Terminal			
X.XXX $\pm 0.15$	CHECKED :			PART NO: VHSJXXB1450A			
X.XX $\pm 0.25$	APPROVED :						
X.X $\pm 0.38$	PROJECTION		REV: A0	UNIT: mm	SCALE: 1:1	SIZE: A4	PAGE 1/1
X. $\pm 0.50$							