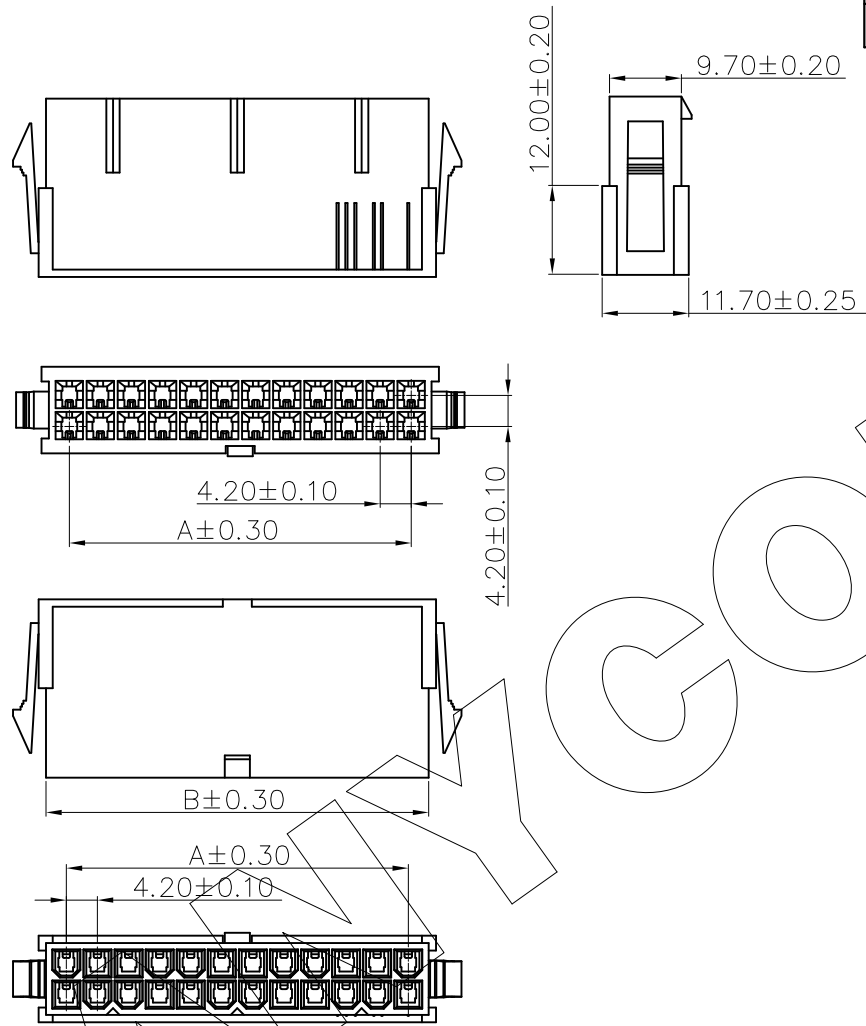


零件图	成品图	客户图
		○

REVISION DATA				
REV	ECN No.	DESCRIPTION	NAME	DATE
A0		NEW DRAWING	D.Y.Y	2023-03-03



Technical Data

Voltage Rating: 600V AC/DC
 Current Rating: 9A AC/DC
 Withstanding Voltage: 1500V AC/minute
 Temperature Range: -25°C~+85°C
 Insulation Resistance: 1000MΩ Min.
 Contact Resistance: ≤10mΩ
 After Environmental Testing: ≤20mΩ
 Material: PA66,UL94V-0.
 Mating Terminal: VHSJXXB1627X

Poles	Dimensions (mm)	
	A	B
2*1P	---	5.50
2*2P	4.20	9.70
2*3P	8.40	13.90
2*4P	12.60	18.10
2*5P	16.80	22.30
2*6P	21.00	26.50
2*7P	25.20	30.70
2*8P	29.40	34.90
2*9P	33.60	39.10
2*10P	37.80	43.30
2*11P	42.00	47.50
2*12P	46.20	51.70

VHS	J	12	XXX	B	X	C	R	10
J PH4.2	Pin位数 Product Type 11 Single row 12 Double row	Pin位数 No. of Positions XXX Positions	材质 A PBT B PA-66 C PA-6T D LCP E PA-46 F PA-9T H PA4T	颜色 B Black W White L Blue G Green Y Yellow R Red N Natural	特征流水码 N 常规 W 带柱 O 外柱 L 带卡钩 C 带翅膀	R ROHS L 无卤	Series No.	

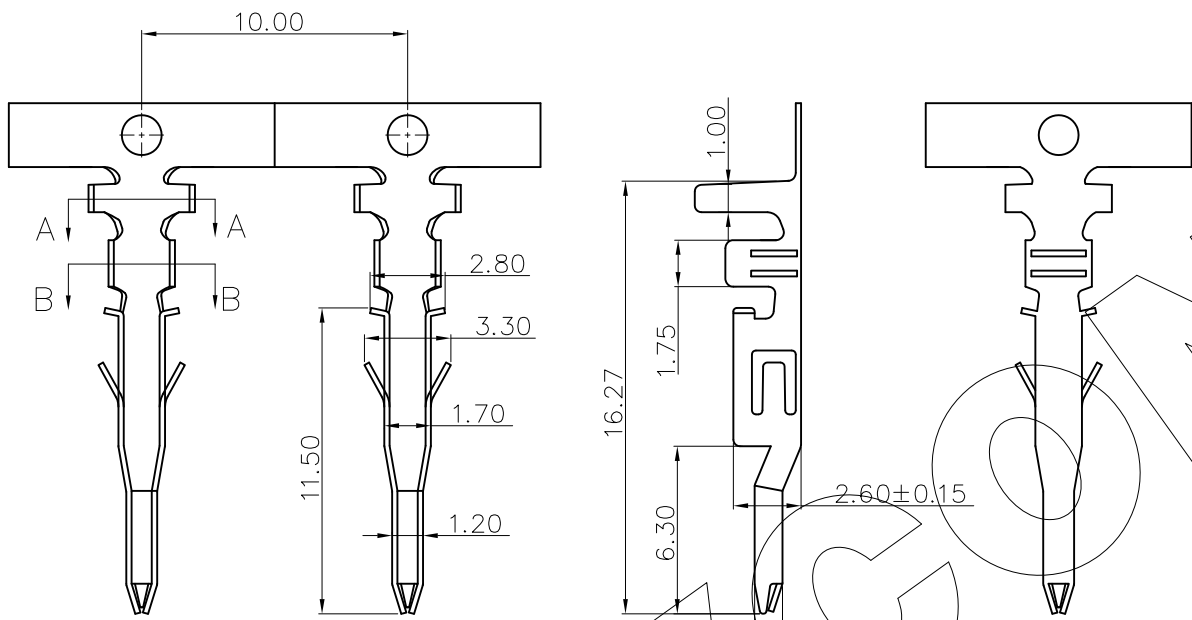
ANYCONN® 东莞市恩康电子科技有限公司
 www.anyconn.com
 TEL:+86(0)769 8904 9672
 FAX:+86(0)769 8904 9671
 E-MAIL:sales@anyconn.tw

DONGGUAN ENKANG ELECTRONICS TECHNOLOGY CO.,LTD

TOLERANCE	DATE :	2023-03-03	TITLE:	Pitch4.20 Housing
ANGLE ±5°	DRAWN :	D.Y.Y		
X.XXX ±0.10	CHECKED :		PART NO: VHSJ12XXXBXCRI0	
X.XX ±0.20	APPROVED :			
X.X ±0.30	PROJECTON			
X. ±0.50	REV: A0	UNIT: mm	SCALE: 1:1	SIZE: A4
			PAGE: 1/1	

零件图	成品图	客户图
		○

REVISION DATA				
REV	ECN No.	DESCRIPTION	NAME	DATE
A0		NEW DRAWING	D.Y.Y	2023-03-03



Technical Data

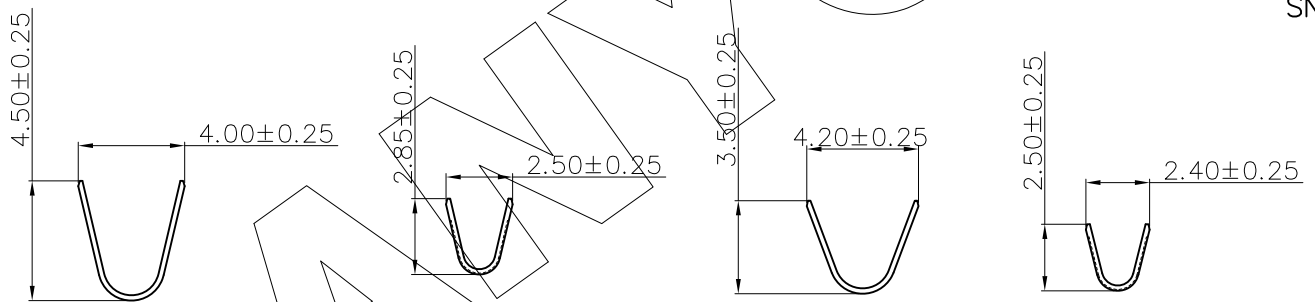
1. Current rating: 7A AC/DC.
2. Voltage rating: 250V AC/DC
3. Temperature range: -25°C~+85°C
4. Insulation resistance: 1000MΩ Min.
5. Withstanding voltage: 1500V AC/ minute
6. Contact resistance: 20m Ω Max.
7. Material: Brass
8. Finish: Gold or Tin plated over Nickel
9. Q'ty/Reel: 5,000 PCS/Reel
10. Mating Housing: VHSJ12XXXBXC10

Part No: VHSJ XX B 1627 X

A 高脚
B Brass
B 低脚

Pin Plating

G0 Gold Flash
G1 Gold 1u"
SN Tin Plated



SEC: A-A

SEC: B-B

SEC: A-A

SEC: B-B

高脚 (VHSJXXB1627A)

低脚 (VHSJXXB1627B)

Part No	Wire Range	Insulation O.D.
VHSJXXB1627A	AWG#18-#22	3.00mm(max)
VHSJXXB1627B	AWG#16-#22	3.10mm(max)

ANYCONN® 东莞市恩康电子科技有限公司
 www.enkcom.com
 TEL:+86(0)769 8904 9672
 FAX:+86(0)769 8904 9671
 E-MAIL:sales@anyconn.tw
DONGGUAN ENKANG ELECTRONICS TECHNOLOGY CO.,LTD

TOLERANCE	DATE :	2023-03-03	TITLE:				
ANGLE ±5°	DRAWN :	D.Y.Y		PH4.2 Terminal			
X.XXX ±0.15	CHECKED :			PART NO: VHSJXXB1627X			
X.XX ±0.25	APPROVED :						
X.X ±0.38	PROJECTION		REV: A0	UNIT: mm	SCALE: 1:1	SIZE: A4	PAGE 1/1
X. ±0.50							