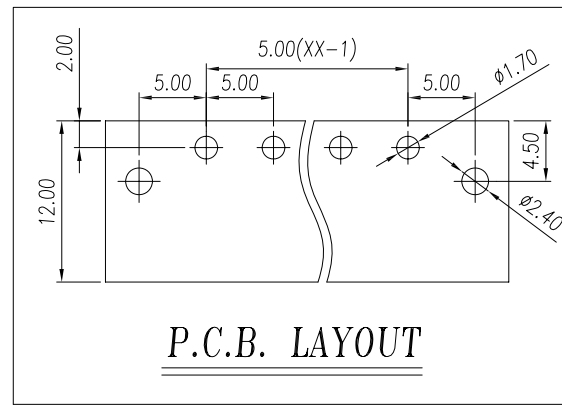
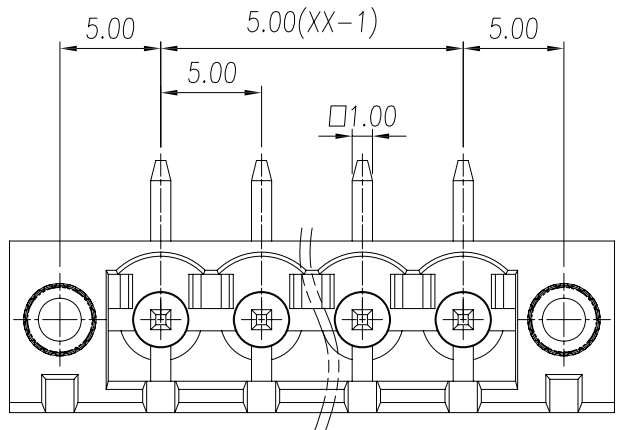
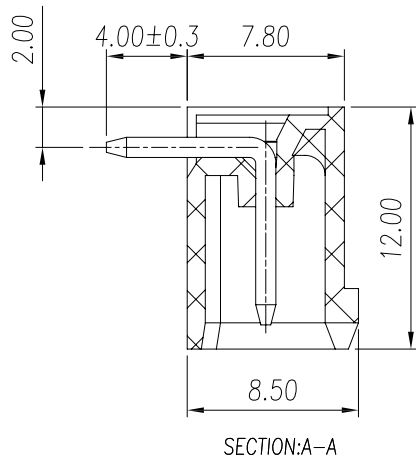
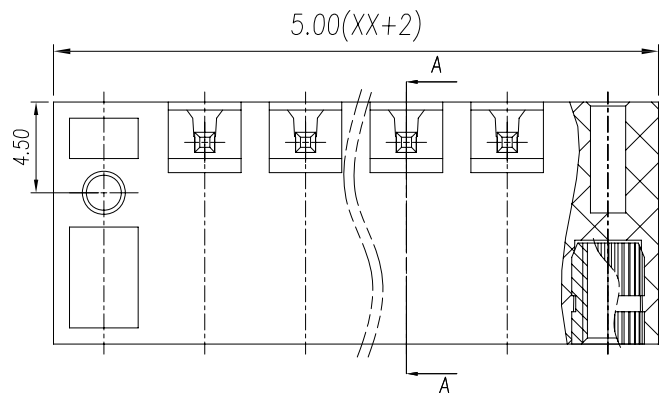


零件图	成品图	客户图
		○

### REVISION DATA

REV	ECN No.	DESCRIPTION	NAME	DATE
A0		NEW DRAWING	D.Y.Y	2019-06-12



UL/CUL 技术参数				
UL/CUL Technical Data				
等级	Use Group	B	C	D
额定电压	Rated Voltage [V]	300	-	300
额定电流	Rated Current [A]	15	-	10
接线范围	Wire Range	-		
单/多芯线	Solid/Stranded [AWG]			
耐电压	Withstanding Voltage	1800V/1Min		
IEC 技术参数				
IEC Technical Data				
过电压类别	Overtoltage Category	III	III	II
污染等级	Contamination Class	3	2	2
额定电压	Rated Voltage [V]	250	320	400
额定电流	Rated Current [A]	10	10	10
额定冲击电压	Impulse withstand voltagea [KV]	4.0	4.0	4.0
导线截面积	Conductor cross section	-		
硬质/柔性导线	Solid/flexible [mm²]			
材料		Material		
绝缘材料	Insulation Material	PA66		
阻燃等级	Imflammability	UL94V-0		
导体材料	Contactar Material	铜合金 Copper alloy		
导体表面镀层	Contactive Coating	镀锡 Sn Plate		
一般参数		Other Data		
间距	Pitch /极数 Poles [mm]/[P]	5.0 / 02~24		
剥线长度	Stripping Length [mm]	-		
螺丝	Screw/扭矩 Torque(Max) [N.m]	-		
工作温度	Operating temperatur [°C]	-40~105		
引针尺寸	Pin Dimensions [mm]	1.0*1.0		
PCB板孔径	PCB Hole Diameter [mm]	Ø1.7		

EQ-X XX -0 X X

5 Green 3 4.0mm  
6 Blue  
A Black

02 2Pin  
To To  
24 24Pin

5 5.00mm  
E 5.08mm

linear dimension (Tolerances Standard GB/T 14486-2008)										
variable range	to	over 6 to 10	over 10 to 30	over 30 to 60	over 60 to 100	over 100 to 160	to	over 10 to 100	over 100 to	
tolerance	±0.20	±0.30	±0.50	±0.70	±1.00	±1.30	±1.60	0.10	0.30	0.60

**ENKCOM®** 东莞市恩康电子科技有限公司  
www.enkcom.com DONGGUAN ENKANG ELECTRONICS TECHNOLOGY CO.,LTD

TOLERANCE	DATE :	2019-06-12	TITLE:	EQ 5.0mm Right Angle Auricled Type			
	ANGLE ±5°	DRAWN :	D.Y.Y	PART NO: EQ5XX0X3F			
	X.XXX ±0.15	CHECKED :					
	X.XX ±0.25	APPROVED :					
X.X ±0.40	PROJECTON		REV: A0	UNIT: mm	SCALE: 1:1	SIZE: A4	PAGE: 1/1
X. ±0.50							