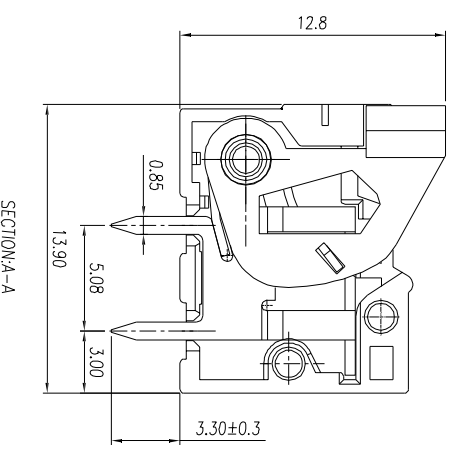
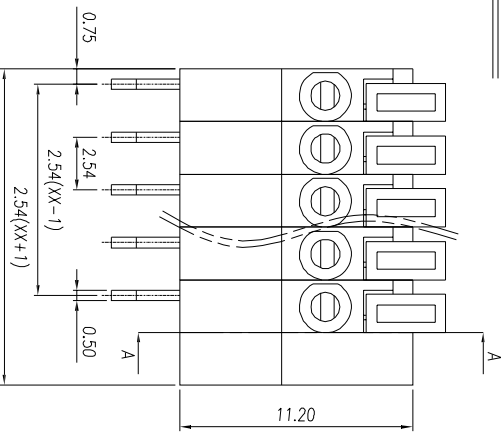
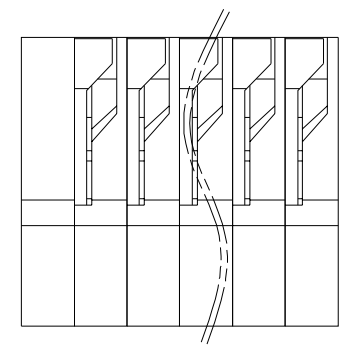
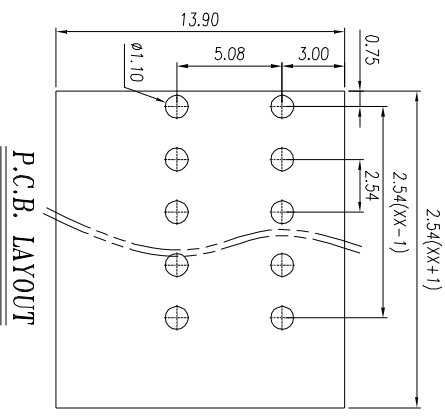


REVISION DATA		
REV	DESCRIPTION	DATE
A0	NEW DRAWING	2016-12-22



- GA-B XX-0 X 3
- 2 02 3 3.30mm Green
 - 4 04 6 Blue
 - 20 20 8 Grey
 - A Black
- B 2.54mm

参考标准/Standard UL IEC

额定电压/Rated voltage 150V 130V

额定电流/Rated current 2A 6A

接触电阻/Contact resistance 20mΩ

绝缘电阻/Insulation resistance 500MΩ/DC500V

使用线径/Wire range 26-20AWG 0.5mm²

耐电压/Wrth standing voltage AC1300V/1 Min

机械性能/Mechanical

剥线长度/Steip Length 11mm

温度范围/Temp.Range -40°C~+105°C

瞬时温度/MAX Soldering +250°C, for 5 Sec

尺寸/Dimensions

间距/Pitch 2.54mm

极数/Poles 1-XXp

材质及电镀/Material PA66, UL94V-0

塑料/Housing Stainless steel

弹片/Shrapnel Copper alloy, Sn plated

焊脚/Pin header

ENKCOM 东莞市恩康电子有限公司

www.enkcom.com DONGGUAN ENKANG ELECTRONICS CO.,LTD

TOLERANCE	PROJECTION	TITLE:
ANGLE ±5°	DATE: 2016-12-22	GA Pitch 2.54mm Series
X.XXX ±0.10	DRAWN: Songjun	PART NO: GABXX0X3A
X.XX ±0.20	CHECKED:	REV: A0
X.X ±0.30	APPROVED:	UNIT: mm
X ±0.50		SCALE: 3:1
		SIZE: A4