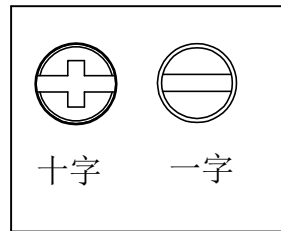
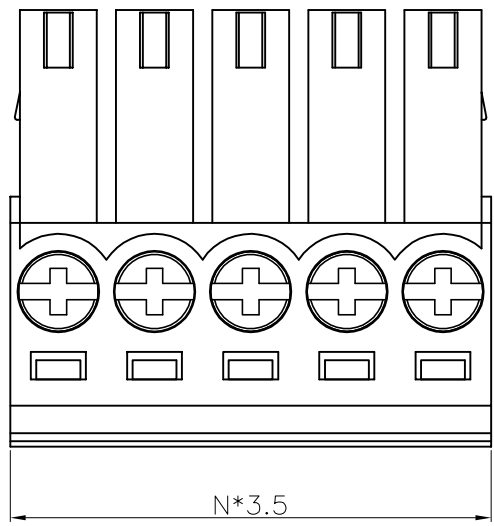
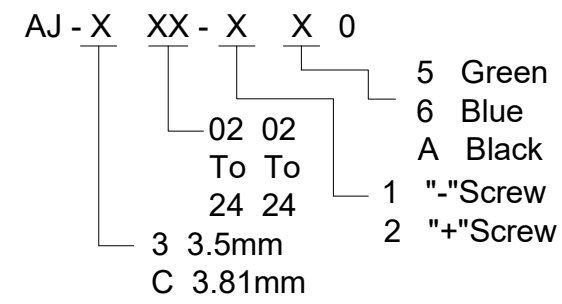
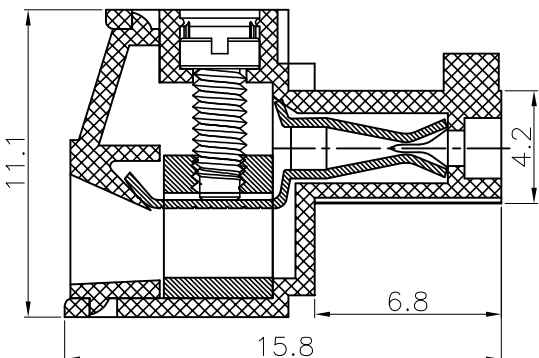
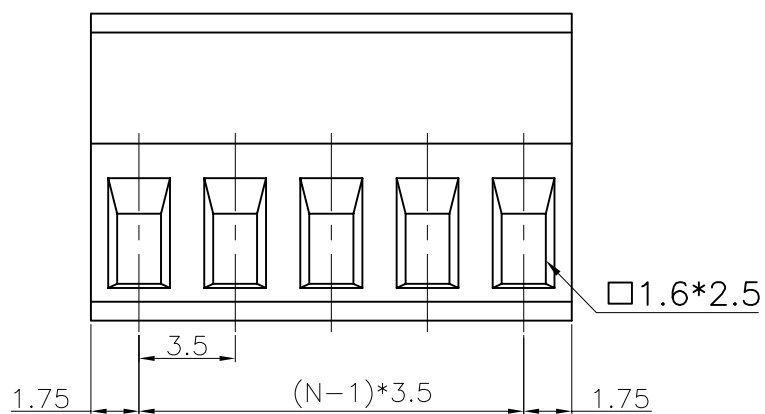


零件图	成品图	客户图
		○

REVISION DATA				
REV	ECN No.	DESCRIPTION	NAME	DATE
A0		NEW DRAWING	D.Y.Y	2015-09-18



Technical Data:
 Material:
 Contact(metal housing): Brass (CuZn)
 Terminal screw: Steel galvanized and chromatzize
 Wire guard: PhBz
 Insulator body(housing): Glass-Filled
 Thermoplastic:UL94V-0 Rated
 Electrical
 Voltage rating: 250VAC
 Current rating: 8 Amps/way max
 Contact resistance: 20mΩ (max)
 Insulation resistance: 5000MΩ /1000V
 Withsanding Voltage: 1500VAC(lmim)
 Wire r ange:16-24AWG
 Mechanical:
 Torque:2.2kgf.cm/M2
 Opweating temperature:-40°C TO+105°C



N=Number of contacts

ANYCONN® 东莞市恩康电子科技有限公司
 www.enkcom.com
 TEL:+86(0)769 8904 9672
 FAX:+86(0)769 8904 9671
 E-MAIL:sales@anycom.tw

DONGGUAN ENKANG ELECTRONICS TECHNOLOGY CO.,LTD

TOLERANCE	DATE :	2015-09-18	TITLE:	AJ Pitch 3.5mm series
ANGLE ±5°	DRAWN :	D.Y.Y		
X.XXX ±0.15	CHECKED :		PART NO: AJ3XXXX0B	
X.XX ±0.25	APPROVED :			
X.X ±0.40	PROJECTON		REV: A0	UNIT: mm
X. ±0.50			SCALE: 1:1	SIZE: A4
			PAGE: 1/1	