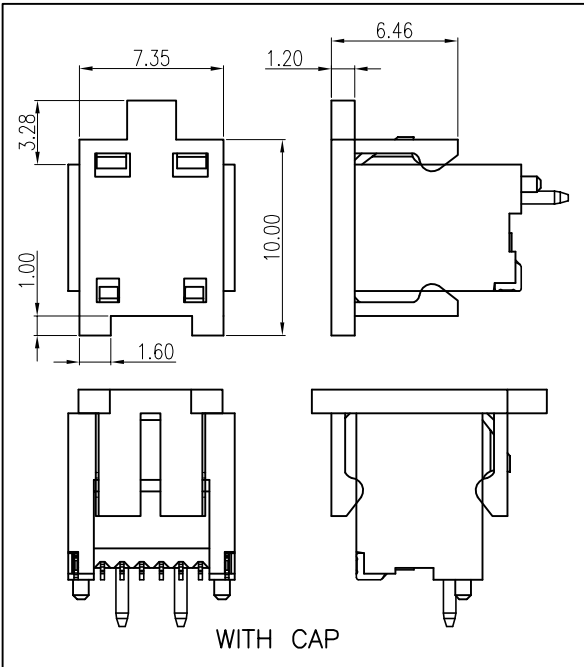
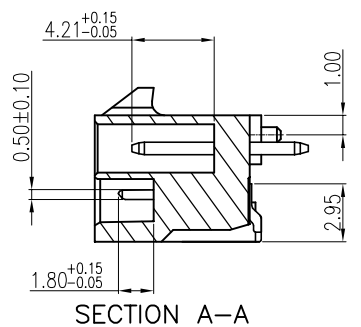
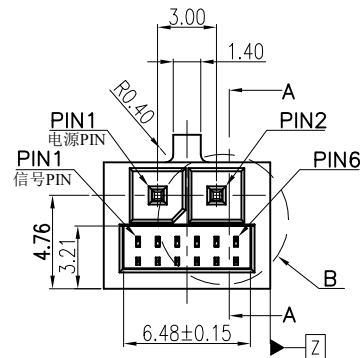


零件图	成品图	客户图
		○

REVISION DATA				
REV	ECN No.	DESCRIPTION	NAME	DATE
A0		NEW DRAWING	S.J	2023-05-29



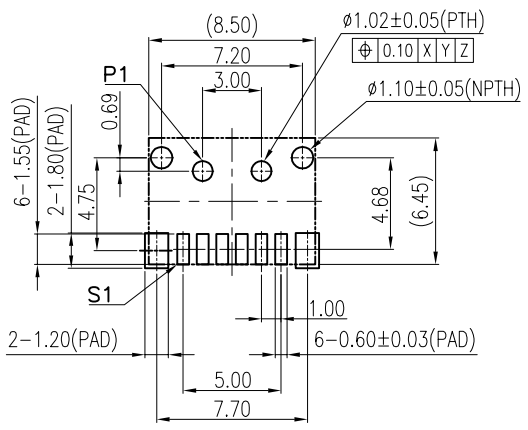
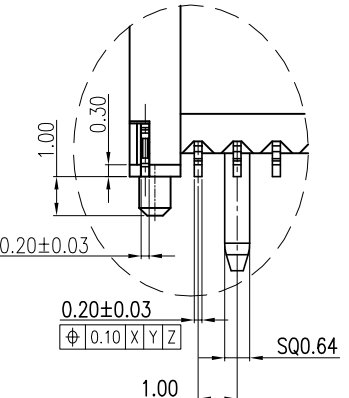
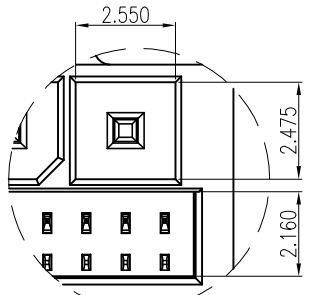
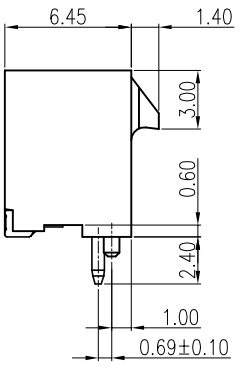
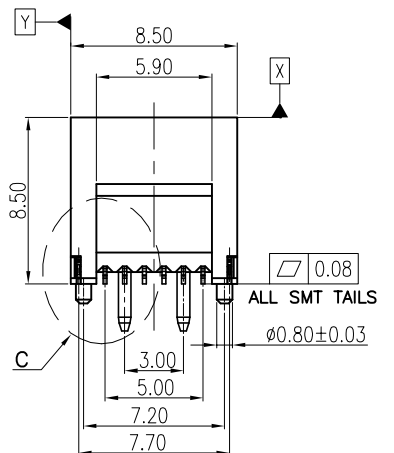
Technical Data

- MATERIAL:**
 HOUSING: LCP VECTRA E130i UL94V-0, COLOR: BLACK.
 POWER TERMINAL: C1100-H, THICKNESS: 0.64±0.01.
 SIGNAL TERMINAL: C5191-H, THICKNESS: 0.20±0.01
 SOLDER TAB: C5191-H, THICKNESS: 0.20±0.01
- FINISH:**
 POWER TERMINAL:
 CONTACT: SELECTIVE PLATING;
 SOLDERING AREA: MATTE TIN 100μ" MIN.
 UNDER PLATING: NICKEL PLATING 50μ" MIN OVERALL.
 SIGNAL TERMINAL:
 CONTACT: SELECTIVE PLATING;
 SOLDERING AREA: MATTE TIN 100μ" MIN.
 UNDER PLATING: NICKEL PLATING 50μ" MIN OVERALL.
 SOLDER TAB:
 PLATING: MATTE TIN 100μ" MIN OVERALL.
 UNDER PLATING: NICKEL PLATING 50μ" MIN OVERALL.

Product Specification Refer To : EK-QB-GC-293A

Operating temperatures: Gold Plated: -55°C to +105°C
 Tin plated: -40°C to +105°C

Part No: WFFT11 008 XX XX W T A 01



Recommended P.C.B Layout
 General Tolerance ±0.05

DETAIL B
 SC 2:1

DETAIL C
 SC 2:1

ANYCONN® 东莞市恩康电子科技有限公司
 www.enkcom.com
 TEL:+86(0)769 8904 9672
 FAX:+86(0)769 8904 9671
 E-MAIL:sales@anyconn.com
DONGGUAN ENKANG ELECTRONICS TECHNOLOGY CO.,LTD

TOLERANCE	DATE :	2023-05-29	TITLE:	2P 6S Power Connect 2P PH3.0 6P PH1.0	
ANGLE ±1°	DRAWN :	S.J	PART NO: WFFT11008XXXXWTA01		
X.XXX ±0.05	CHECKED :				
X.XX ±0.10	APPROVED :				
X.X ±0.15	PROJECTON		REV: A0	UNIT: mm	SCALE: 1:1
X. ±0.20			SIZE: A4	PAGE: 1/2	