

REVISION DATA				
REV	ECN No.	DESCRIPTION	NAME	DATE
A0		NEW DRAWING	JQSUN	2023-11-15

**SPECIFICATIONS**

1. Current rating: 9A AC, DC (AWG#16,2 Circuit)
2. Voltage rating: 600V AC, DC
3. Temperature range: -40°C ~ +105°C
4. Insulation resistance: 1000M Ω/ min.
5. Withstanding voltage: 1500V AC/ minute.
6. Contact resistance: 10mΩ/ max.

Material: Brass

Plating: Tin plated over Nickel

Applicable wire:

Conductor size: AWG#18~#22

Insulation O.D.: 2.50mm Max

Q'ty/reel: 4,500pcs

适用于VHSJ12XXXBXNR13系列housing

Part No: SF198U XX B 1450A X

电镀规格

00: 素材

SN: 镀锡

G0: Gold Flash

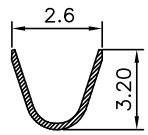
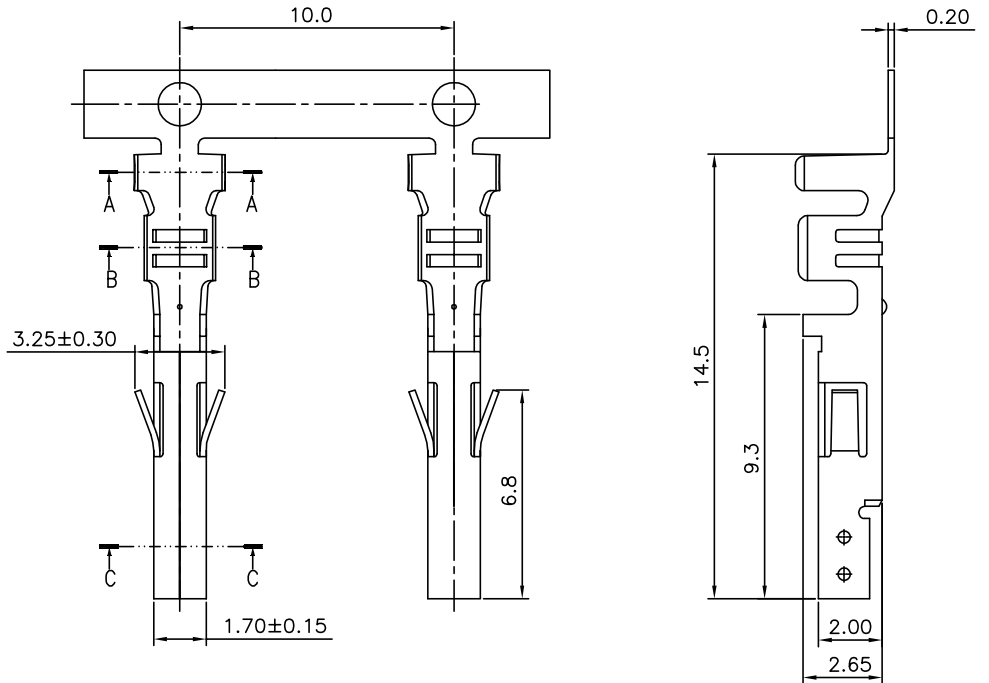
端子材质

B Brass

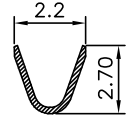
端子电镀工艺

1: 先镀后冲;

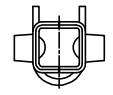
2: 先冲后镀;



SECTION A-A



SECTION B-B



SECTION C-C

**ANYCONN®** 东莞市恩康电子科技有限公司  
 www.enkcom.com  
 TEL:+86(0)769 8904 9672  
 FAX:+86(0)769 8904 9671  
 E-MAIL:sales@anycom.tw

**DONGGUAN ENKANG ELECTRONICS TECHNOLOGY CO.,LTD**

TOLERANCE	DATE :	2023-11-15	TITLE:	PH4.2mm 低脚 母端子
ANGLE ±5°	DRAWN :	JQSUN		
X.XXX ±0.15	CHECKED :		PART NO: SF198UXXB1450AX	
X.XX ±0.25	APPROVED :			
X.X ±0.40	PROJECTON		REV: A0	UNIT: mm
X. ±0.50			SCALE: 1:1	SIZE: A4
			PAGE: 1/1	