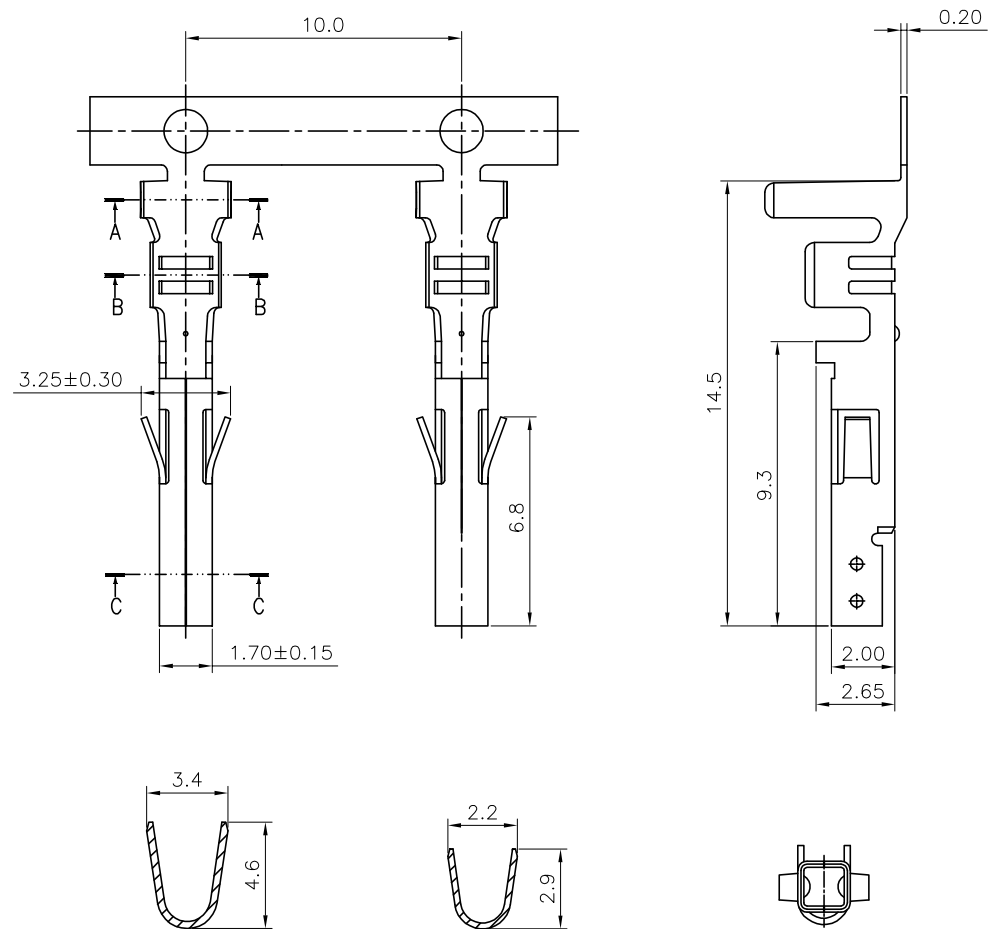


REVISION DATA				
REV	ECN No.	DESCRIPTION	NAME	DATE
A0		NEW DRAWING	JQSUN	2023-11-15



SECTION A-A

SECTION B-B

SECTION C-C

**SPECIFICATIONS**

1. Current rating: 9A AC, DC(AWG#16,2 Circuit)
2. Voltage rating:600V AC,DC
3. Temperature range: -40°C ~ +105°C
4. Insulation resistance: 1000M Ω/ min.
5. Withstanding voltage: 1500V AC/ minute.
6. Contact resistance: 10mΩ/ max.

Material: Brass  
 Plating: Tin plated over Nickel  
 Applicable wire:  
 Conductor size: AWG#16~#20  
 Insulation O.D.: 3.10mm Max  
 Q'ty/reel: 4,500pcs

适用于VHSJ12XXXBXNR13系列housing

Part No: SF198U XX B 1450B X

电镀规格	端子材质	端子电镀工艺
00: 素材	B Brass	1: 先镀后冲
SN: 镀锡		2: 先冲后镀
G0: Gold Flash		

**ANYCONN®** 东莞市恩康电子科技有限公司  
 www.enkcom.com  
 TEL:+86(0)769 8904 9672  
 FAX:+86(0)769 8904 9671  
 E-MAIL:sales@anycom.tw  
**DONGGUAN ENKANG ELECTRONICS TECHNOLOGY CO.,LTD**

TOLERANCE	DATE :	2023-11-15	TITLE:		
ANGLE ±5°	DRAWN :	JQSUN	PH4.2mm 高脚 母端子		
X.XXX ±0.15	CHECKED :		PART NO: SF198UXXB1450BX		
X.XX ±0.25	APPROVED :				
X.X ±0.40	PROJECTON		REV: A0	UNIT: mm	SCALE: 1:1
X. ±0.50			SIZE: A4	PAGE: 1/1	