

零件图	成品图	客户图
		○

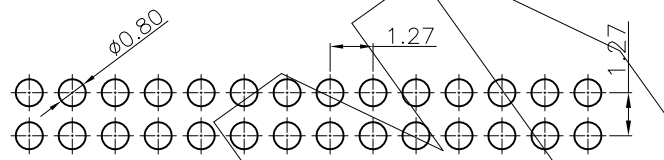
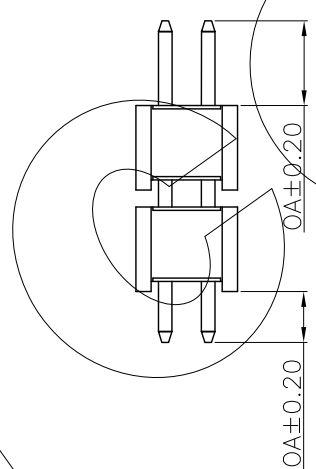
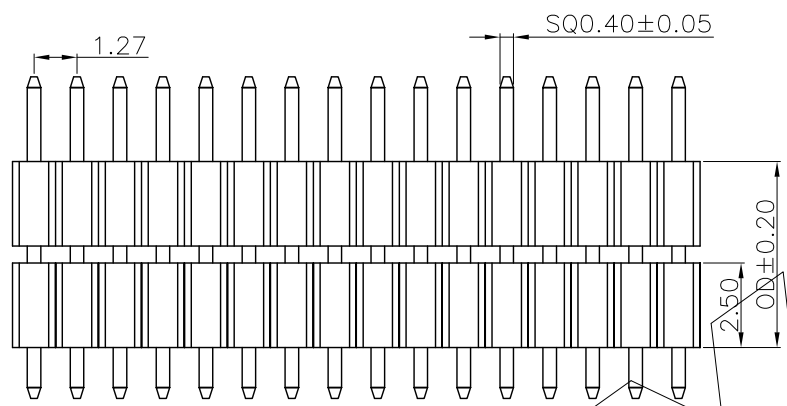
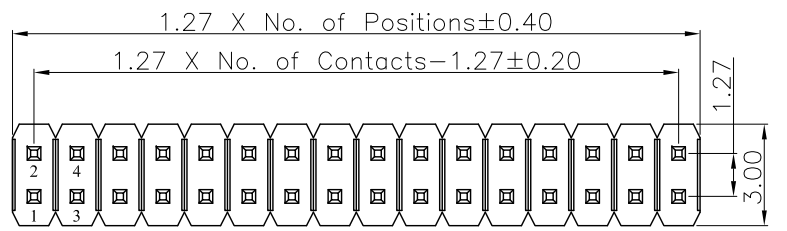
REVISION DATA				
REV	ECN No.	DESCRIPTION	NAME	DATE
A0		NEW DRAWING	JIN	2020-09-09

### Technical Data

Material:  
 Contact Material: Copper alloy  
 Contact plating: Au or Sn Over Ni  
 Insulator Material: See the table, UL94 V-0

Electrical:  
 Rating current: 1.0Amps/contact max.  
 Rating voltage : 250 V AC/DC  
 Contact resistance: ≤20mΩ/contact  
 Insulation resistance: ≥1000MΩ  
 Withstanding Voltage: 300V AC/minute

Mechanical:  
 Operating temperatures: Gold Plated: -55°C to +105°C  
 Tin plated: -40°C to +105°C  
 Soldering temperature: +260°C, 10S max (PA6T/PA9T/LCP)  
 +220°C, 10S max (PBT).



Recommended P.C.B. Layout  
 General Tolerance ±0.05

	OA	OC	OD	L
DIM.	3.00	2.30	5.00	10.30
	5.50	2.80	6.00	14.30
	8.00	3.00	7.50	18.50
	12.00	3.20	10.50	25.70

OA, OC and OD can be customized by customers

P115	22	XXX	XX	D	X	X	N	DXXX
Product Descriptions P115 H=2.5	Product Type 22 Dual row DUAL BASE	No. of Positions XX Poles	Pin Plating G0 GOLD-FLASH G1 1U* AU G6 AU10U* S1 SN+AU1U* S7 SN+AU15U* S8 SN+AU30U* T3 MATTE SN	Angle options D Straight	Insulator Material A PBT+G/F30% B PA66+G/F30% C PA6T+G/F30% D LCP+G/F30%	Color B Black W White L Blue G Green Y Yellow R Red N Natural		Pin length(mm) L=XXX mm

**ANYCONN®** 东莞市恩康电子科技有限公司  
 www.anyconn.com  
 TEL:+86(0)769 8904 9672  
 FAX:+86(0)769 8904 9671  
 E-MAIL:sales@anyconn.com  
**DONGGUAN ENKANG ELECTRONICS TECHNOLOGY CO.,LTD**

TOLERANCE	DATE : 2020-09-11	TITLE:
ANGLE ±5°	DRAWN : Songjun	PH1.27 H2.50mm Dual Row Straight L=XXX mm Pin Header
X.XXX ±0.15	CHECKED :	PART NO: P11522XXXXDXXNDXXX
X.XX ±0.25	APPROVED :	
X.X ±0.40	PROJECTON	
X. ±0.50		REV: A0 UNIT: mm SCALE: 1:1 SIZE: A4 PAGE: 1/1