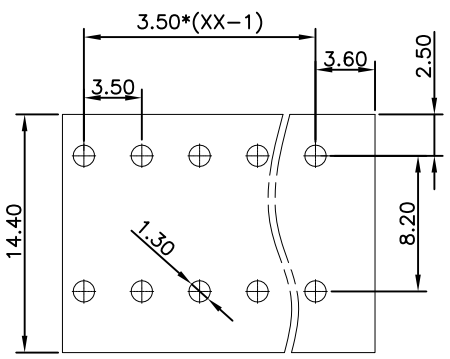
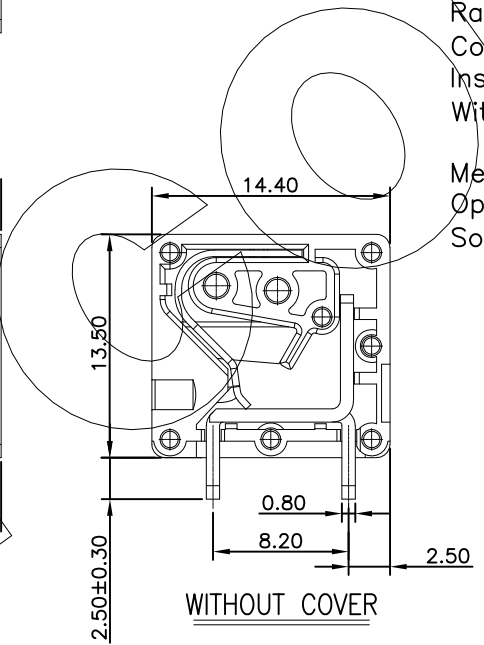
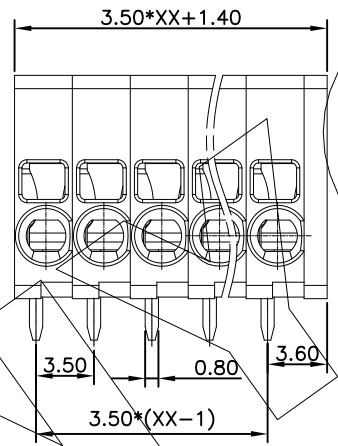
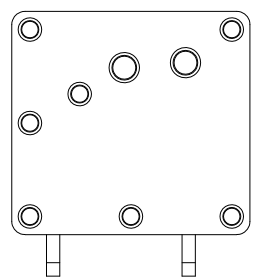
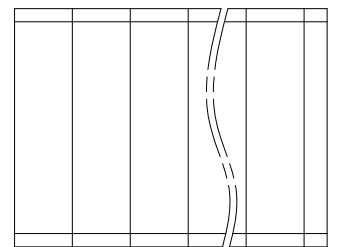


零件图	成品图	客户图
		○

REVISION DATA				
REV	ECN No.	DESCRIPTION	NAME	DATE
A0		NEW DRAWING	D.Y.Y	2019-06-18



PCB LAYOUT

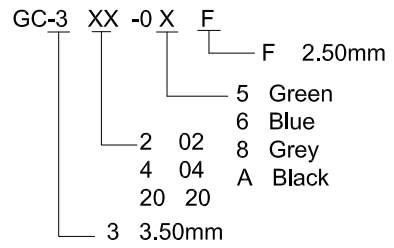


Technical Data

Material:  
 Contact Material: Copper Alloy  
 Contact plating: Sn Over Ni  
 Insulator Material: PA66, UL94 V-0

Electrical:  
 Rating current: 10Amps/contact max.  
 Rating voltage : 300 V AC/DC  
 Contact resistance: ≤20mΩ/contact  
 Insulation resistance: ≥500MΩ  
 Withstanding Voltage: 1500V AC/minute

Mechanical:  
 Operating temperatures: Tin plated: -40°C to +105°C  
 Soldering temperature: +260°C, max(PA66)



linear dimension (Tolerance Standard GB/T 14486-2008)										
variable range	to 6	6 to 10	10 to 30	30 to 60	60 to 100	100 to 160	to 10	10 to 100	100 to	
tolerance	±0.20	±0.30	±0.50	±0.70	±1.00	±1.30	±1.60	0.10	0.30	0.60

**ANYCONN®**  
 www.anyconn.com  
 TEL: +86(0)769 8904 9672  
 FAX: +86(0)769 8904 9671  
 E-MAIL: sales@anycom.tw

**东莞市恩康电子科技有限公司**  
**DONGGUAN ENKANG ELECTRONICS TECHNOLOGY CO.,LTD**

TOLERANCE	DATE :	2019-06-18	TITLE:	GC PH3.50mm TERMINAL BLOCKS
ANGLE ±5°	DRAWN :	D.Y.Y	PART NO: GC3XX0XFA	
X.XXX ±0.15	CHECKED :			
X.XX ±0.25	APPROVED :			
X.X ±0.40	PROJECTON		REV: A0	UNIT: mm
X. ±0.50			SCALE: 1:1	SIZE: A4
			PAGE: 1/1	