

零件图	成品图	客户图
		○

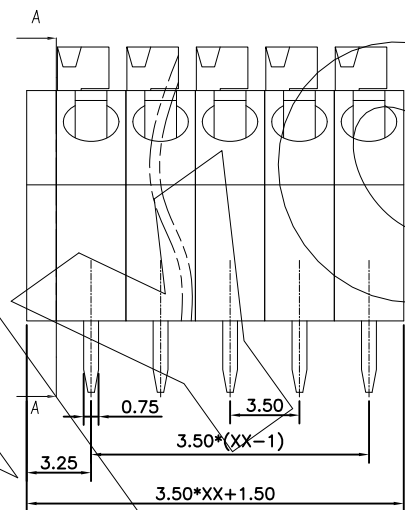
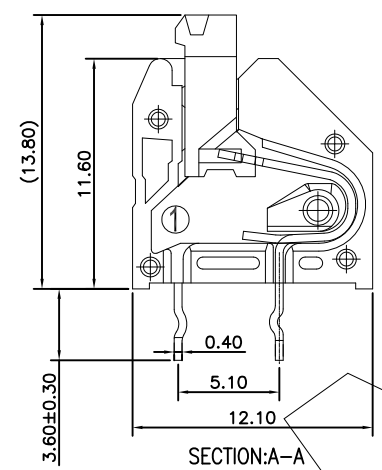
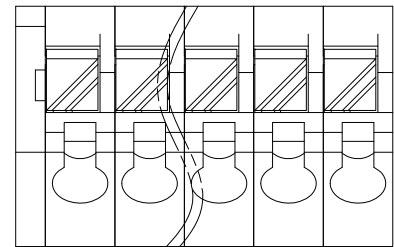
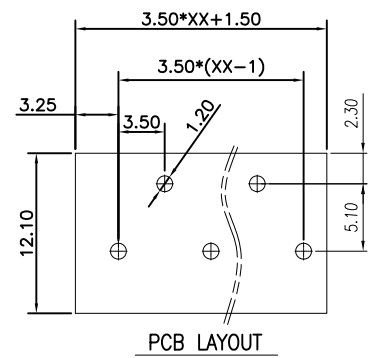
REVISION DATA				
REV	ECN No.	DESCRIPTION	NAME	DATE
A0		NEW DRAWING	D.Y.Y	2019-02-19

### Technical Data

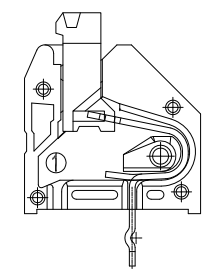
Material:  
 Contact Material: Copper Alloy  
 Contact plating: Sn Over Ni  
 Insulator Material: PA66, UL94 V-0

Electrical:  
 Rating current: 5Amps/contact max.  
 Rating voltage : 300 V AC/DC  
 Contact resistance: ≤20mΩ/contact  
 Insulation resistance: ≥500MΩ  
 Withstanding Voltage: 1500V AC/minute

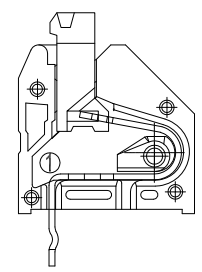
Mechanical:  
 Operating temperatures: Tin plated: -40°C to +105°C  
 Soldering temperature: +260°C, max(PA66)



- GC-3 XX-0 X 3
- 3 3.60mm
  - 5 Green
  - 6 Blue
  - 8 Grey
  - A Black
  - 2 02
  - 4 04
  - 20 20
  - 2 3.50mm



小组合片



大组合片

liner dimension(Tolerances Standard GB/T 14486-2008)											≡	—	□	//	⊥	
variable range	to 6	over 6 to 10	over 10 to 18	over 18 to 30	over 30 to 50	over 50 to 80	over 80 to 120	over 120 to 160	over 160 to 200	over 200 to 250	all	to 5	5 to 30	30 to 120	120 to	
tolerance	±0.10	±0.14	±0.19	±0.25	±0.32	±0.45	±0.57	±0.72	±0.88	±1.05	±1.25	0.50	0.025	0.06	0.12	0.4

**ANYCONN®** 东莞市恩康电子科技有限公司  
 www.anyconn.com  
 TEL:+86(0)769 8904 9672  
 FAX:+86(0)769 8904 9671  
 E-MAIL:sales@anyconn.com

**DONGGUAN ENKANG ELECTRONICS TECHNOLOGY CO.,LTD**

TOLERANCE	DATE :	2019-02-19	TITLE:		
ANGLE ±5°	DRAWN :	D.Y.Y	GC PH3.50mm TERMINAL BLOCKS		
X.XXX ±0.15	CHECKED :		PART NO: GC3XX0X3B		
X.XX ±0.25	APPROVED :				
X.X ±0.40	PROJECTON		REV: A0	UNIT: mm	SCALE: 1:1
X. ±0.50			SIZE: A4	PAGE: 1/1	