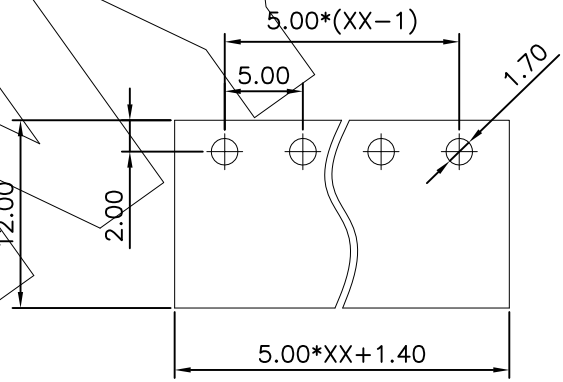
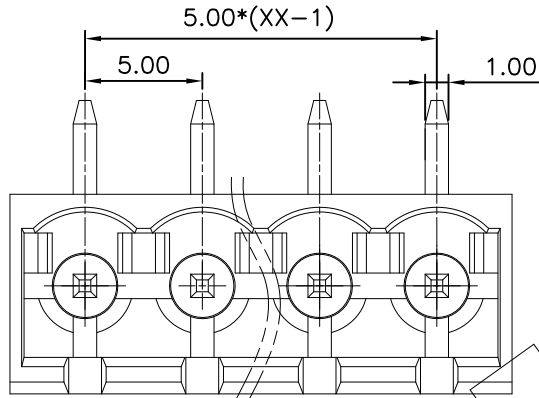
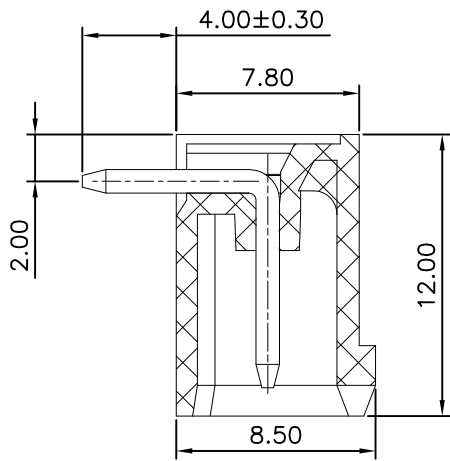
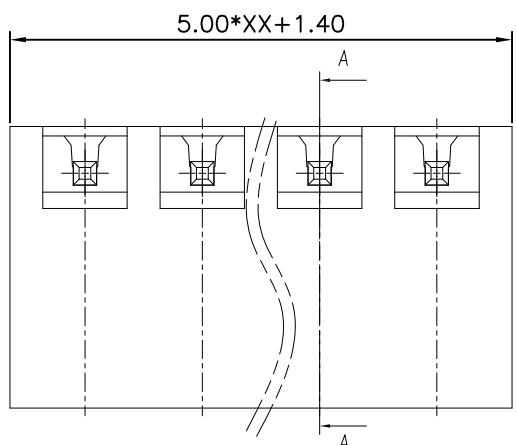


零件图	成品图	客户图
		○

REVISION DATA				
REV	ECN No.	DESCRIPTION	NAME	DATE
A0		NEW DRAWING	Songjun	2012-09-30

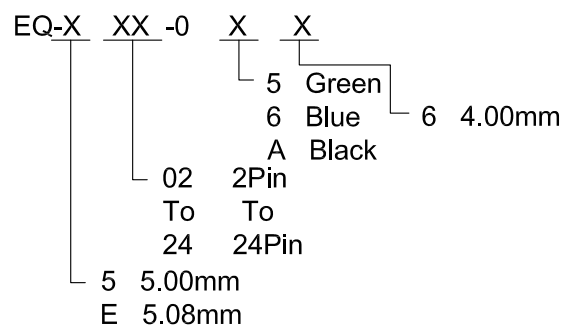


Technical Data

Material:
 Contact Material: Copper Alloy
 Contact plating: Sn Over Ni
 Insulator Material: PA66, UL94 V-0

Electrical:
 Rating current: 10Amps/contact max.
 Rating voltage : 300 V AC/DC
 Contact resistance: ≤20mΩ/contact
 Insulation resistance: ≥1000MΩ
 Withstanding Voltage: 1500V AC/minute

Mechanical:
 Operating temperatures: Tin plated: -40°C to +105°C
 Soldering temperature: +260°C, max(PA66)



ANYCONN® 东莞市恩康电子科技有限公司
 www.anyconn.com
 TEL:+86(0)769 8904 9672
 FAX:+86(0)769 8904 9671
 E-MAIL:sales@anyconn.com
DONGGUAN ENKANG ELECTRONICS TECHNOLOGY CO.,LTD

TOLERANCE	DATE :	2012-09-30	TITLE:	EQ PH5.00mm TERMINAL BLOCKS
ANGLE ±5°	DRAWN :	Songjun	PART NO: EQ5XX0X6E	
X.XXX ±0.15	CHECKED :			
X.XX ±0.25	APPROVED :			
X.X ±0.40	PROJECTON		REV: A0	UNIT: mm
X. ±0.50			SCALE: 1:1	SIZE: A4
			PAGE: 1/1	