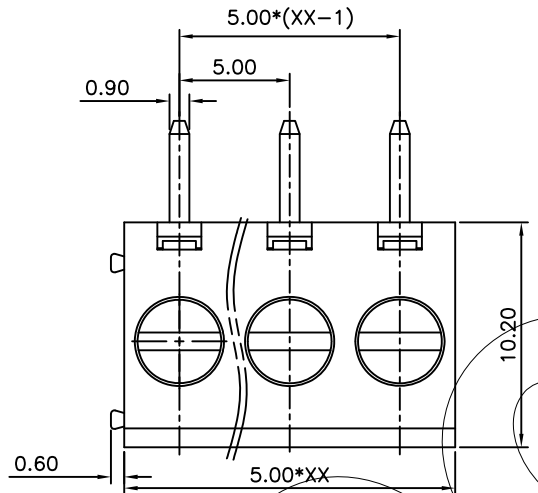
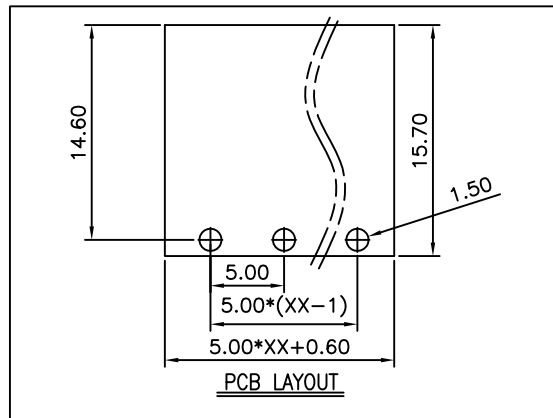


零件图	成品图	客户图
		○

REVISION DATA				
REV	ECN No.	DESCRIPTION	NAME	DATE
A0		NEW DRAWING	Songjun	2015-06-08

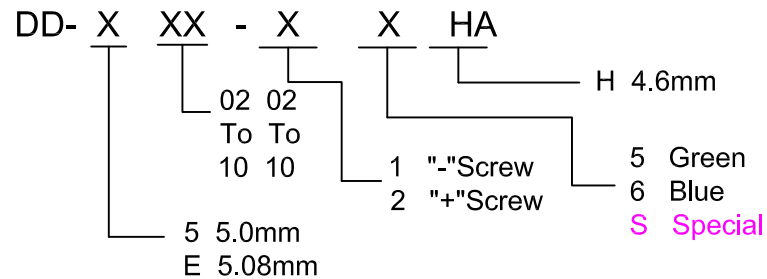
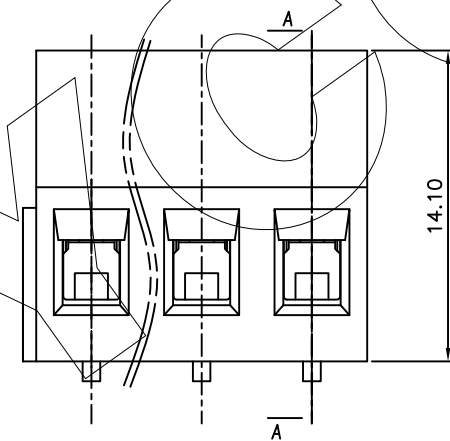
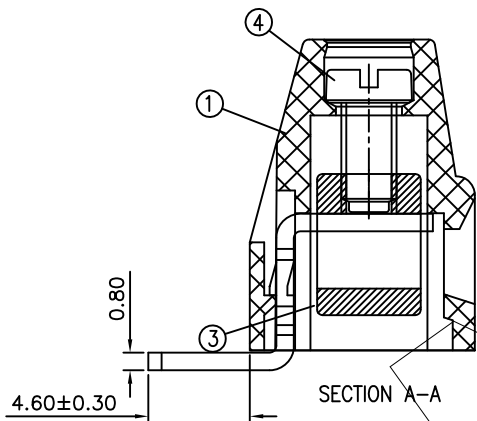


Technical Data

Material:
 Contact Material: Copper Alloy
 Contact plating: Sn Over Ni
 Insulator Material: PA66, UL94 V-0

Electrical:
 Rating current: 10Amps/contact max.
 Rating voltage : 300 V AC/DC
 Contact resistance: $\leq 20m\Omega$ /contact
 Insulation resistance: $\geq 1000M\Omega$
 Withstanding Voltage: 1500V AC/minute

Mechanical:
 Operating temperatures: Tin plated: $-40^{\circ}C$ to $+105^{\circ}C$
 Soldering temperature: $+260^{\circ}C$, max(PA66)



ANYCONN®
 www.anyconn.com
 TEL:+86(0)769 8904 9672
 FAX:+86(0)769 8904 9671
 E-MAIL:sales@anycom.tw

东莞市恩康电子科技有限公司

DONGGUAN ENKANG ELECTRONICS TECHNOLOGY CO.,LTD

TOLERANCE ANGLE $\pm 5^{\circ}$ X.XXX ± 0.15 X.XX ± 0.25 X.X ± 0.40 X. ± 0.50	DATE :	2015-06-08	TITLE:	DD PH5.00mm TERMINAL BLOCKS
	DRAWN :	Songjun	PART NO: DD5XX1XHA	REV: A0 UNIT: mm SCALE: 1:1 SIZE: A4 PAGE: 1/1
	CHECKED :			
	APPROVED :			
PROJECTON				