

零件图	成品图	客户图
		○

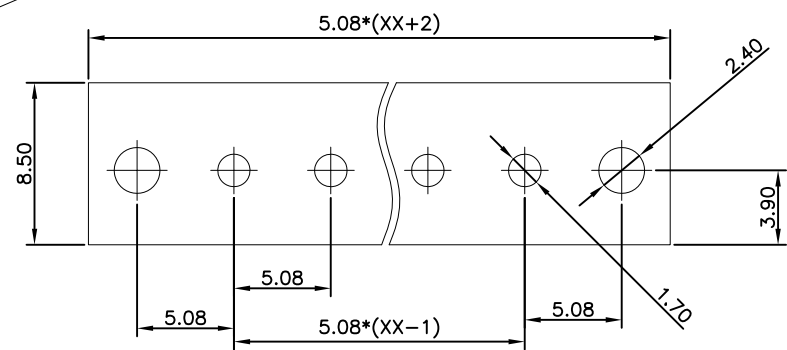
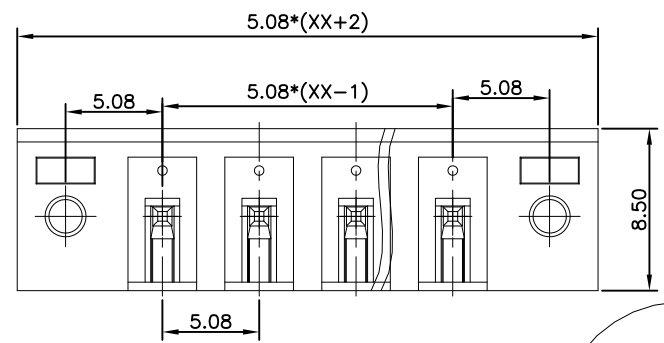
REVISION DATA				
REV	ECN No.	DESCRIPTION	NAME	DATE
A0		NEW DRAWING	ZHANG	2016-05-03

Technical Data

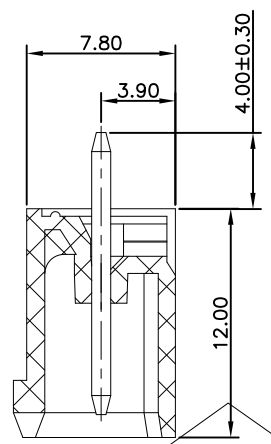
Material:
 Contact Material: Copper Alloy
 Contact plating: Sn Over Ni
 Insulator Material: PA66, UL94 V-0

Electrical:
 Rating current: 10Amps/contact max.
 Rating voltage : 250 V AC/DC
 Contact resistance: $\leq 20m\Omega$ /contact
 Insulation resistance: $\geq 1000M\Omega$
 Withstanding Voltage: 1600V AC/minute

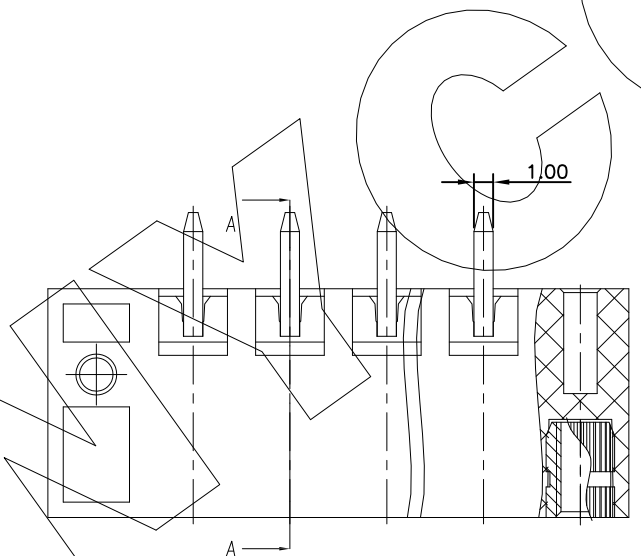
Mechanical:
 Operating temperatures: Tin plated: $-40^{\circ}C$ to $+105^{\circ}C$
 Soldering temperature: $+260^{\circ}C$, max(PA9T)



PCB LAYOUT



SECTION A-A



ANYCONN® 东莞市恩康电子科技有限公司
 www.anyconn.com
 TEL:+86(0)769 8904 9672
 FAX:+86(0)769 8904 9671
 E-MAIL:sales@anyconn.com
DONGGUAN ENKANG ELECTRONICS TECHNOLOGY CO.,LTD

TOLERANCE ANGLE $\pm 5^{\circ}$ X.XXX ± 0.15 X.XX ± 0.25 X.X ± 0.40 X. ± 0.50	DATE :		TITLE: EQ PH5.08mm TERMINAL BLOCKS			
	DRAWN :	2016-5-3	PART NO: EQEXX150A01			
	CHECKED :	ZHANG				
	APPROVED :					
PROJECTON		REV: A0	UNIT: mm	SCALE: 1:1	SIZE: A4	PAGE: 1/1