

零件图	成品图	客户图
		○

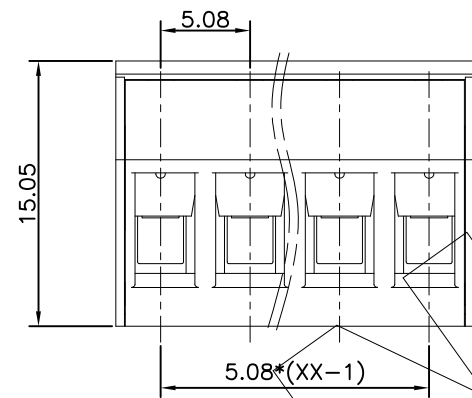
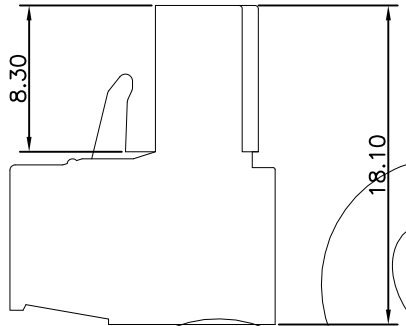
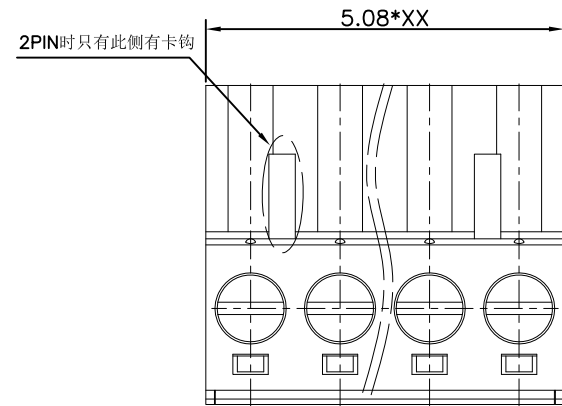
REVISION DATA				
REV	ECN No.	DESCRIPTION	NAME	DATE
A0		NEW DRAWING	D.Y.Y	2020-04-07

Technical Data

Material:
 Contact Material: Copper Alloy
 Contact plating: Over Ni
 Insulator Material: PA66, UL94 V-0

Electrical:
 Rating current: 10Amps/contact max.
 Rating voltage : 250 V AC/DC
 Contact resistance: $\leq 20m\Omega$ /contact
 Insulation resistance: $\geq 1000M\Omega$
 Withstanding Voltage: 1600V AC/minute

Mechanical:
 Operating temperatures: Tin plated: $-40^{\circ}C$ to $+105^{\circ}C$
 Soldering temperature: $+260^{\circ}C$, max(PA9T)



AJ-X XX - X X 0

5 Green
 6 Blue
 A Black

02 02
 To To
 12 12

5 5.00mm
 E 5.08mm

1 "-"Screw
 2 "+"Screw

linear dimension(Tolerances Standard GB/T 14486-2008)										
variable range	to 6	over 6 to 10	over 10 to 30	over 30 to 60	over 60 to 100	over 100 to 160	over 160 to 10	over 10 to 100	over 100 to 6	
tolerance	± 0.20	± 0.30	± 0.50	± 0.70	± 1.00	± 1.30	± 1.60	0.10	0.30	0.60

ANYCONN®
 www.anyconn.com
 TEL:+86(0)769 8904 9672
 FAX:+86(0)769 8904 9671
 E-MAIL:sales@anyconn.com

东莞市恩康电子科技有限公司
DONGGUAN ENKANG ELECTRONICS TECHNOLOGY CO.,LTD

TOLERANCE	DATE : 2019-07-16	TITLE:
ANGLE $\pm 5^{\circ}$	DRAWN : D.Y.Y	AJ PH5.08mm TERMINAL BLOCKS
X.XXX ± 0.15	CHECKED :	PART NO: AJEXX1X0H
X.XX ± 0.25	APPROVED :	
X.X ± 0.40	PROJECTON	REV: A0
X. ± 0.50		UNIT: mm
		SCALE: 1:1
		SIZE: A4
		PAGE: 1/1