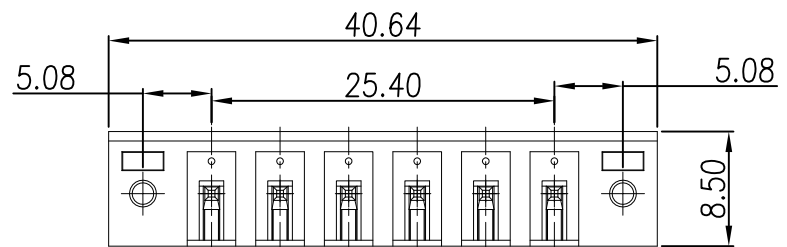


零件图	成品图	客户图
		○

REVISION DATA				
REV	ECN No.	DESCRIPTION	NAME	DATE
A0		NEW DRAWING	D.Y.Y	2020-04-07

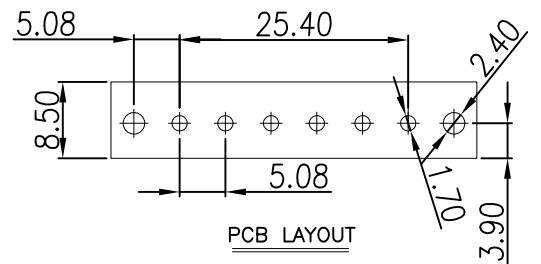
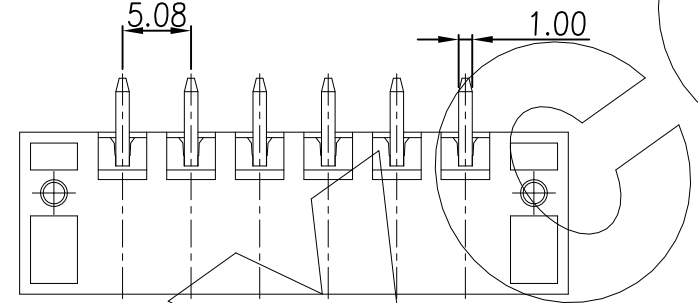
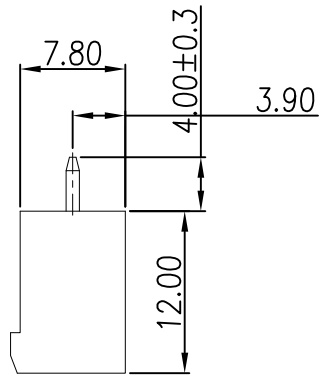


### Technical Data

Material:  
 Contact Material: Copper Alloy  
 Contact plating: Sn Over Ni  
 Insulator Material: PA66, UL94 V-0

Electrical:  
 Rating current: 10Amps/contact max.  
 Rating voltage : 250 V AC/DC  
 Contact resistance:  $\leq 20\text{m}\Omega$ /contact  
 Insulation resistance:  $\geq 1000\text{M}\Omega$   
 Withstanding Voltage: 1600V AC/minute

Mechanical:  
 Operating temperatures: Tin plated:  $-40^{\circ}\text{C}$  to  $+105^{\circ}\text{C}$   
 Soldering temperature:  $+260^{\circ}\text{C}$ , max(PA9T)



EQ-X XX - 0 X 6

- 6 4.00mm
- 5 Green
- 6 Blue
- A Black

02 2Pin  
 To To  
 24 24Pin

5 5.00mm  
 E 5.08mm

linear dimension (Tolerances Standard GB/T 14486-2008)										
variable range	to 6	over 6 to 10	over 10 to 30	over 30 to 60	over 60 to 100	over 100 to 160	over 160 to 10	over 10 to 100	over 100 to 6	
tolerance	I020	I030	I050	I070	I100	I130	I160	O10	O30	O60

**ANYCONN®**  
 www.anyconn.com  
 TEL:+86(0)769 8904 9672  
 FAX:+86(0)769 8904 9671  
 E-MAIL:sales@anyconn.com

**东莞市恩康电子科技有限公司**  
**DONGGUAN ENKANG ELECTRONICS TECHNOLOGY CO.,LTD**

TOLERANCE	DATE :	2020-04-07	TITLE:	EQ PH5.08mm 6P TERMINAL BLOCKS
ANGLE $\pm 5^{\circ}$	DRAWN :	D.Y.Y	PART NO: EQE06056N	REV: A0 UNIT: mm SCALE: 1:1 SIZE: A4 PAGE: 1/1
X.XXX $\pm 0.15$	CHECKED :			
X.XX $\pm 0.25$	APPROVED :			
X.X $\pm 0.40$	PROJECTON			
X. $\pm 0.50$				