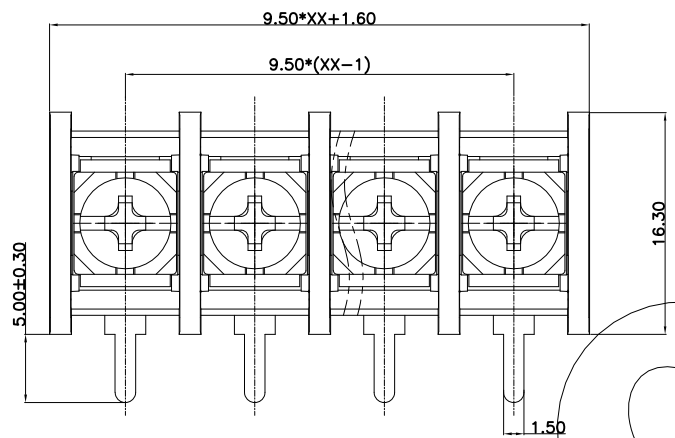
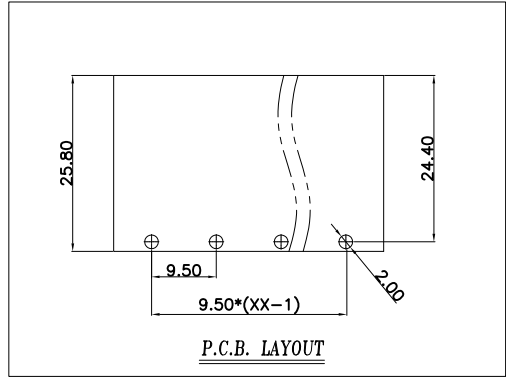


零件图	成品图	客户图
		○

REVISION DATA				
REV	ECN No.	DESCRIPTION	NAME	DATE
A0		NEW DRAWING	D.Y.Y	2020-04-20

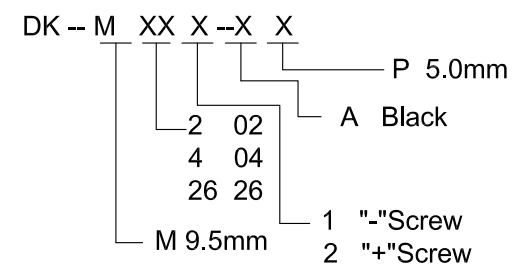
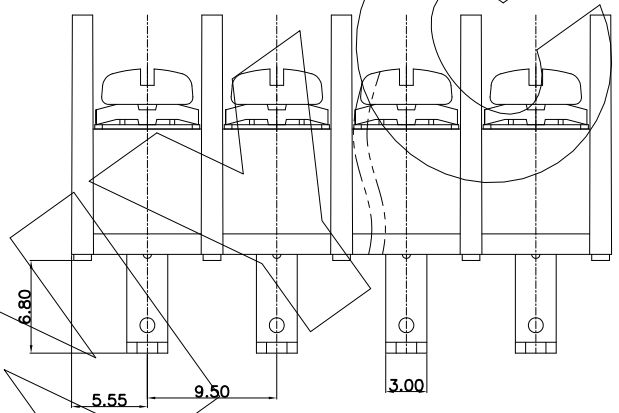
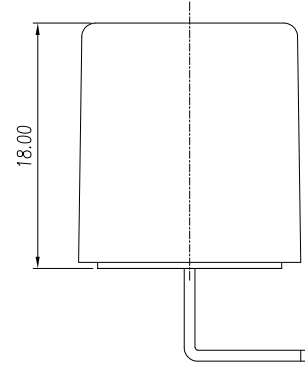


Technical Data

Material:
 Contact Material: Copper Alloy
 Contact plating: Sn Over Ni
 Insulator Material: PA66, UL94 V-0

Electrical:
 Rating current: 20Amps/contact max.
 Rating voltage : 500 V AC/DC
 Contact resistance: ≤20mΩ/contact
 Insulation resistance: ≥1000MΩ
 Withstanding Voltage: 1600V AC/minute

Mechanical:
 Operating temperatures: Tin plated: -40°C to +105°C
 Soldering temperature: +260°C, max(PA9T)



linear dimension (Tolerances Standard GB/T 14486-2008)										
variable range	to 6	over 6 to 10	over 10 to 30	over 30 to 60	over 60 to 100	over 100 to 160	to 10	over 10 to 100	over 100 to	
tolerance	±0.20	±0.30	±0.50	±0.70	±1.00	±1.30	±1.60	0.10	0.30	0.60

ANYCONN® 东莞市恩康电子科技有限公司
 www.anyconn.com
 TEL: +86(0)769 8904 9672
 FAX: +86(0)769 8904 9671
 E-MAIL: sales@anycom.tw
DONGGUAN ENKANG ELECTRONICS TECHNOLOGY CO.,LTD

TOLERANCE	DATE : 2020-04-20	TITLE: DK PH9.50mm TERMINAL BLOCKS
ANGLE ±5°	DRAWN : D.Y.Y	PART NO: DKMXXXXPA
X.XXX ±0.15	CHECKED :	
X.XX ±0.25	APPROVED :	
X.X ±0.40	PROJECTON	REV: A0
X. ±0.50		UNIT: mm
		SCALE: 1:1
		SIZE: A4
		PAGE: 1/1