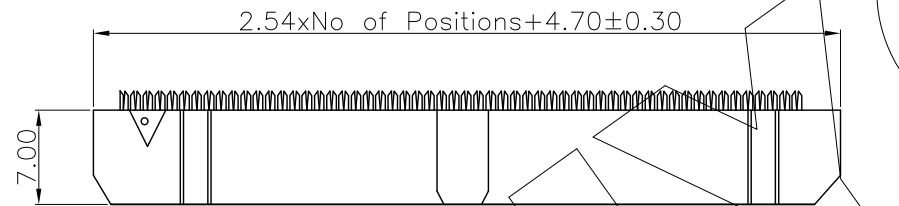
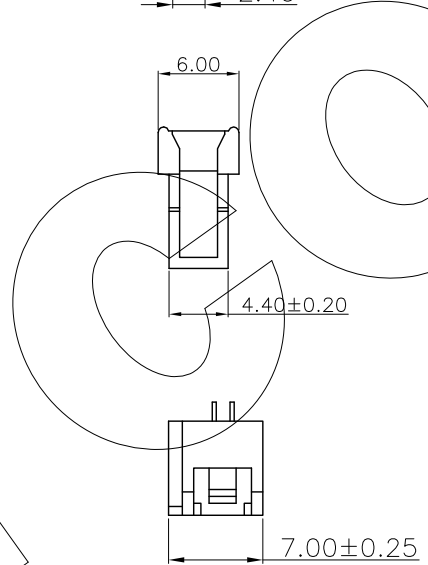
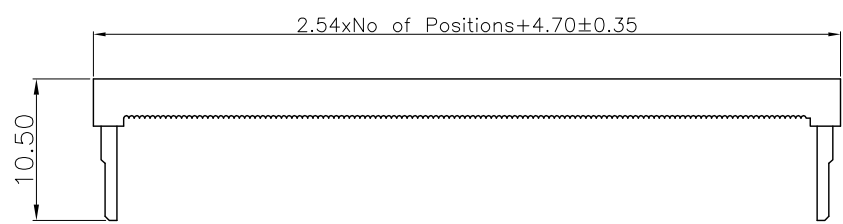
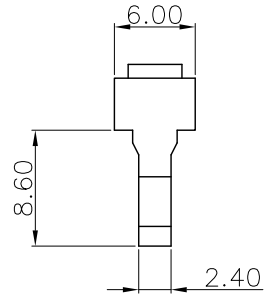
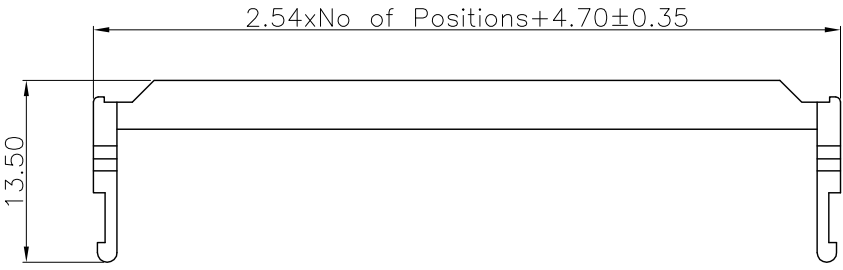


零件图	成品图	客户图
		○

REVISION DATA				
REV	ECN No.	DESCRIPTION	NAME	DATE
A0		NEW DRAWING	S.J	2020-08-15



### Technical Data

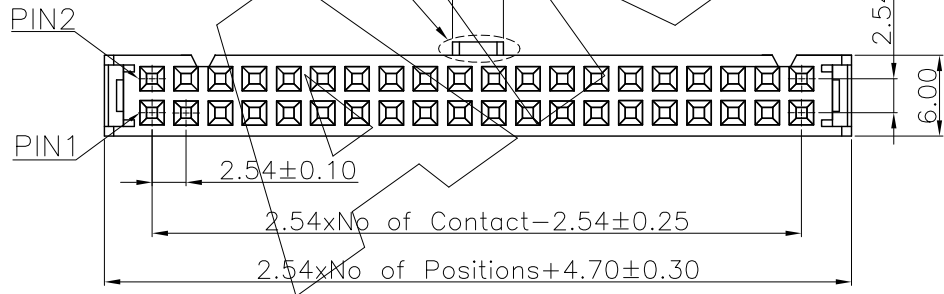
Material:  
 Contact Material: Phosphor Bronze  
 Contact plating: Au or Sn Over Ni  
 Insulator Material: See the table, UL94 V-0

Electrical:  
 Rating current: 1Amps/contact max.  
 Rating voltage : 250 V AC/DC  
 Contact resistance: ≤20mΩ/contact  
 Insulation resistance: ≥1000MΩ  
 Withstanding Voltage: 500V AC/minute

Mechanical:  
 Operating temperatures: Gold Plated: -55°C to +105°C  
 Tin plated: -40°C to +105°C  
 Soldering temperature: +220°C, max(PBT)

6p-8p without slot  
 10-12P single slot  
 14-64P double slot  
 IDC main body: There is a difference between convex and non-convex

PART NO. IDCC XX XX A  
 NO OF POS: 04 (2x2P) — Plating  
 06 (2x3P) G1 Gold Flas  
 ..... SN Tin Plated



**ANYCONN®** 东莞市恩康电子科技有限公司  
 www.anyconn.com  
 TEL:+86(0)769 8904 9672  
 FAX:+86(0)769 8904 9671  
 E-MAIL:sales@anyconn.com  
**DONGGUAN ENKANG ELECTRONICS TECHNOLOGY CO.,LTD**

TOLERANCE	DATE :	2020-08-15	TITLE:	PH2.54mm IDC
ANGLE ±5°	DRAWN :	S.J	PART NO: IDCCXXXXA	
X.XXX ±0.15	CHECKED :			
X.XX ±0.25	APPROVED :			
X.X ±0.40	PROJECTON		REV: A0	UNIT: mm
X. ±0.50			SCALE: 1:1	SIZE: A4
			PAGE: 1/1	