

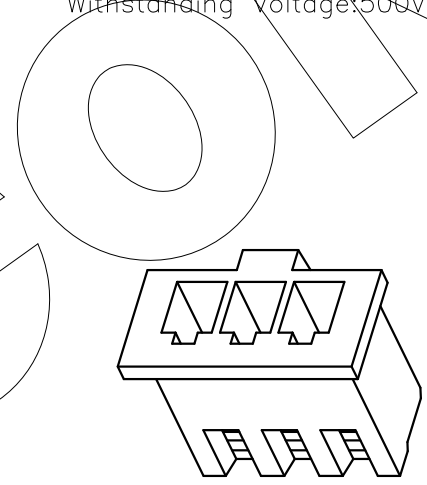
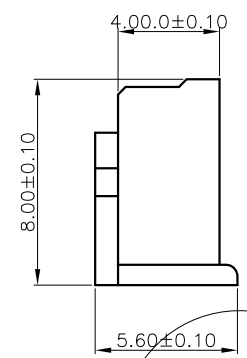
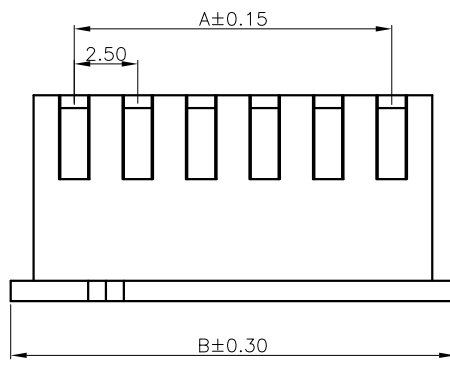
零件图	成品图	客户图
		○

REVISION DATA				
REV	ECN No.	DESCRIPTION	NAME	DATE
A0		NEW DRAWING	JIN	2018-04-18

Technical Data

Material:
Insulator Material: See the table, UL94 V-0

Electrical:
Rating current: 3Amps/contact max.
Rating voltage : 250 V AC/DC
Withstanding Voltage: 500V AC/minute



Poles	A	B
2	2.50	7.50
3	5.00	10.00
4	7.50	12.50
5	10.00	15.00
6	12.50	17.50
7	15.00	20.00
8	17.50	22.50
9	20.00	25.00
10	22.50	27.50
11	25.00	30.00
12	27.50	32.50
13	30.00	35.00
14	32.50	37.50
15	35.00	40.00
16	37.50	42.50

VWF	A	11	XXX	B	X	N	R05
A PH 2.5	Pin No. Product Type 11 Single row	Pin No. No. of Positions XXX Positions	MATERMINAL B PA-66	COLOR L BLUE R RED G GREEN W WHITH	R ROHS		

ANYCONN®
www.anyconn.com
TEL:+86(0)769 8904 9672
FAX:+86(0)769 8904 9671
E-MAIL:sales@anyconn.com

东莞市恩康电子科技有限公司
DONGGUAN ENKANG ELECTRONICS TECHNOLOGY CO.,LTD

TOLERANCE	DATE :	2018-04-18	TITLE:	PH2.5 H8.0 Housing			
ANGLE ±5°	DRAWN :	JIN	PART NO: VWFA11XXXBXNR05				
X.XXX ±0.15	CHECKED :						
X.XX ±0.25	APPROVED :						
X.X ±0.40	PROJECTON		REV: A0	UNIT: mm	SCALE: 1:1	SIZE: A4	PAGE: 1/1
X. ±0.50							

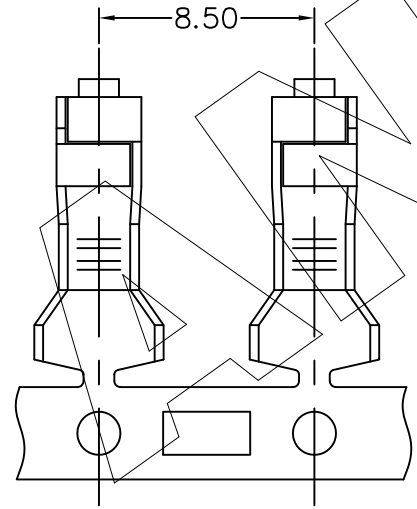
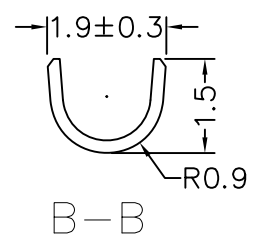
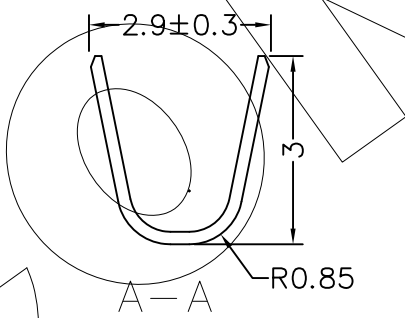
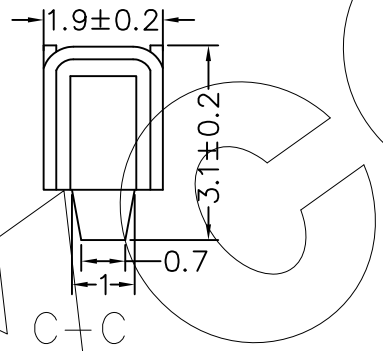
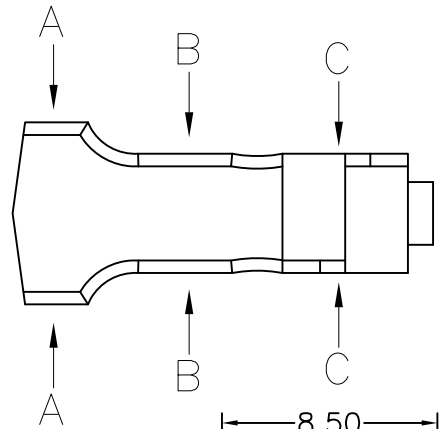
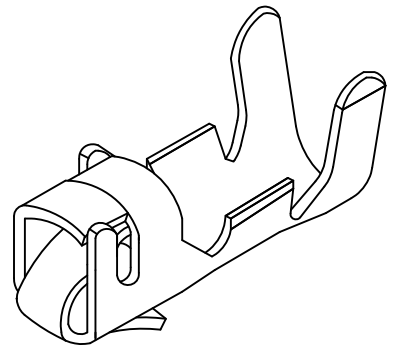
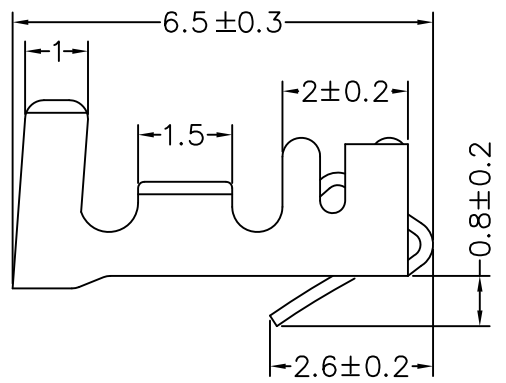
零件图	成品图	客户图
		○

REVISION DATA				
REV	ECN No.	DESCRIPTION	NAME	DATE
A0		NEW DRAWING	Songjun	2018-04-28

Technical Data

Material:
Material: Phosphor Bronze Sn

Electrical:
Rating current: 3Amps/contact max.
Rating voltage : 250 V AC/DC
Withstanding Voltage: 500V AC/minute



PIN	A	B	C
2	2.0	4.6	5.7
3	4.0	6.6	7.7
4	6.0	8.6	9.7
5	8.0	10.6	11.7
6	10.0	12.6	13.7
7	12.0	14.6	15.7
8	14.0	16.6	17.7
9	16.0	18.6	19.7
10	18.0	20.6	21.7
11	20.0	22.6	23.7
12	22.0	24.6	25.7
13	24.0	26.6	27.7
14	26.0	28.6	29.7
15	28.0	30.6	31.7
16	30.0	32.6	33.7

ANYCONN® www.anyconn.com
 TEL:+86(0)769 8904 9672
 FAX:+86(0)769 8904 9671
 E-MAIL:sales@anycom.tw

东莞市恩康电子科技有限公司
DONGGUAN ENKANG ELECTRONICS TECHNOLOGY CO.,LTD

TOLERANCE	DATE :	2018-04-28	TITLE:	XHB-T TERMINAL	
ANGLE ±5°	DRAWN :	Songjun	PART NO: SFAUXXP0670A01		
X.XXX ±0.15	CHECKED :				
X.XX ±0.25	APPROVED :				
X.X ±0.40	PROJECTON		REV: A0	UNIT: mm	SCALE: 1:1
X. ±0.50			SIZE: A4	PAGE: 1/1	