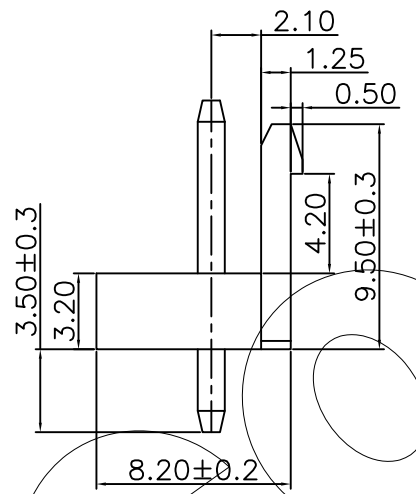
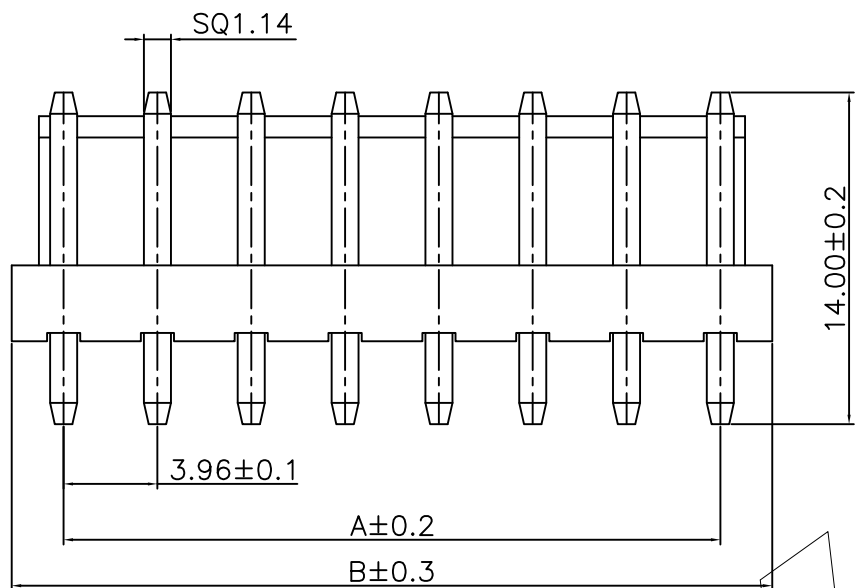


零件图	成品图	客户图
		○

REVISION DATA				
REV	ECN No.	DESCRIPTION	NAME	DATE
A0		NEW DRAWING	Songjun	2018-05-23

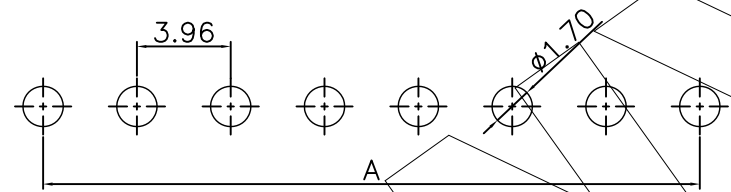


### Technical Data

Material:  
 Contact Material: Copper Alloy  
 Contact plating: Au or Sn Over Ni  
 Insulator Material: See the table, UL94 V-0

Electrical:  
 Rating current: 7Amps/contact max.  
 Rating voltage : 250 V AC/DC  
 Contact resistance: ≤20mΩ/contact  
 Insulation resistance: ≥1000MΩ  
 Withstanding Voltage: 1500V AC/minute

Mechanical:  
 Operating temperatures: Gold Plated: -55°C to +105°C  
 Tin plated: -40°C to +105°C  
 Soldering temperature: +260°C, max(PA66)  
 +220°C, max(PBT)



**P.C.B LAYOUT**

PIN	A	B
2PIN	3.96	7.92
3PIN	7.92	11.88
4PIN	11.88	15.84
5PIN	15.84	19.80
6PIN	19.80	23.76
7PIN	23.76	27.72
8PIN	27.72	31.68
9PIN	31.68	35.64
10PIN	35.64	39.6

WF	D	D	11	XXX	XX	X	N	D016
Pitch(mm) A 2.5 B 2.0 C 1.25 D 3.96 E 2.54 F 3.0	Angel Options R 90° D 180° S SMT	Product Type 11 Single row	No. of Positions XXX XXXPIN	Pin Plating G0 Gold Flash SN Tin Plated T3 Matte-fin	Insulator Material A PBT B PA66 C PA6T D PA46	W With peg N NO Peg	Series NO. D016	

**ANYCONN®** 东莞市恩康电子科技有限公司  
 www.anyconn.com  
 TEL:+86(0)769 8904 9672  
 FAX:+86(0)769 8904 9671  
 E-MAIL:sales@anyconn.com

**DONGGUAN ENKANG ELECTRONICS TECHNOLOGY CO.,LTD**

TOLERANCE	DATE : 2018-05-23	TITLE: PH3.96 H3.2 WAFER 180°DIP WAFER
ANGLE ±5°	DRAWN : Songjun	PART NO: WFDD11XXXXXXND016
X.XXX ±0.15	CHECKED :	
X.XX ±0.25	APPROVED :	
X.X ±0.40	PROJECTON	REV: A0
X. ±0.50		UNIT: mm
		SCALE: 1:1
		SIZE: A4
		PAGE: 1/1