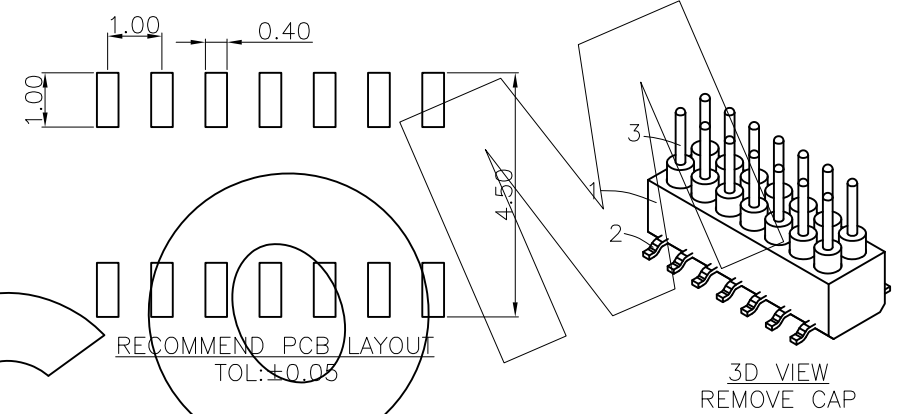
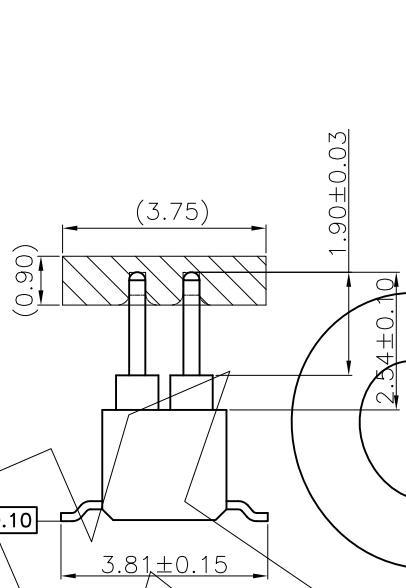
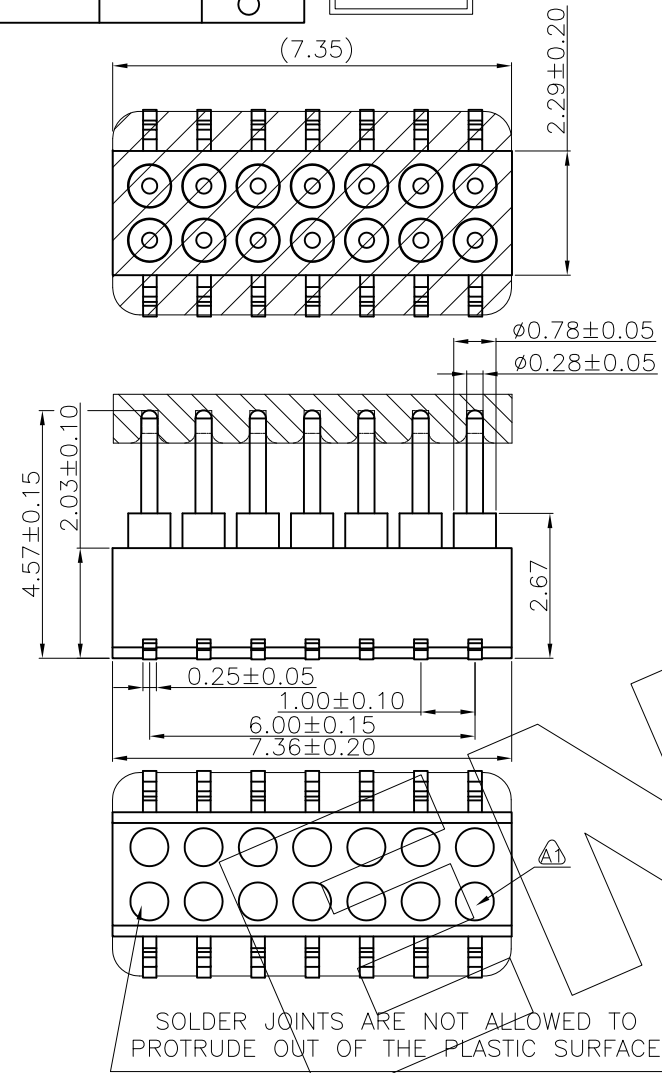


零件图 成品图 客户图

RoHS

REVISION DATA

REV	ECN No.	DESCRIPTION	NAME	DATE
A0		NEW DRAWING	W.H.L	2018-06-05
A1		CHANGE THE HOLE DIM	ANSEN	2019-01-08



- NOTES:
- CURRENT RATING: 1A.
 - VOLTAGE RATING: 250V DC/AC.
 - CONTACT RESISTANCE: ≤20mΩ
 - INSULATION RESISTANCE: ≥5000MΩ
 - WITHSTANDING VOLTAGE: 500V AC/1 MIMUTE
 - TEMPERATURE RISE: 30°C MAX.
 - OPERAIING TEMPERATURES: -40°C TO +105°C
 - SOLDERING TEMPERATURE: +260°C, 10S MAX.

No.	NAME	Q'TY	MATERIAL/FINISH
4	CAP	1PCS	LCP+30%GF,COLOR:BLACK
3	PIN	14PCS	BRASS,Ni UNDER PLATED, 15u" Au PLATED.
2	TERMINAL	14PCS	C5191,t=0.15mm,Ni UNDER PLATED, MATTE Sn PLATED OVER ALL.
1	INSULATOR	1PCS	LCP+30%GF,COLOR:BLACK

PQ	S	014	0	3	T	C	00	0432A	0	00
Angel Options D 180°直插 R 90°弯插 S SMT H 卧式插板 A 单排SMT 第1Pin在下 B 单排SMT 第1Pin在上	No. of Positions 014 Positions	Dip Spacing 0 No 1 1.27mm 2 2.54mm 3 7.62mm 4 10.16mm 6 15.24mm 9 22.86mm A 2.00mm S Special	Insulator Height 0 No 1 1.20 mm 2 1.90 mm 3 2.00 mm 4 2.10 mm 5 2.20 mm 6 2.80 mm 7 3.00 mm 8 3.80 mm 9 4.10 mm A 4.20 mm B 7.00 mm S Special	Insulator type T LCP	Pin Plated 0 No 1 Tin120u" 锡 2 Tin200u" 锡 3 Gold0.4u" 金 4 Gold0.8u" 金 5 Gold1u" 金 6 Gold1.5u" 金 7 Gold2u" 金 8 Gold3u" 金 9 Gold5u" 金 A Gold8u" 金 B Gold10u" 金 C Gold15u" 金 D Gold30u" 金 E Ag plated F Nickel80u"	Clip plated 0 No 1 Tin120u" 锡 2 Tin200u" 锡 3 Gold0.4u" 金 4 Gold0.8u" 金 5 Gold1u" 金 6 Gold1.5u" 金 7 Gold2u" 金 8 Gold3u" 金 9 Gold5u" 金 A Gold8u" 金 B Gold10u" 金 C Gold15u" 金 D Gold30u" 金 E Ag plated F Nickel80u"	Pin length(mm) 0432A 4.32mm S Special	Insulator Option 0 No	Series 00 No	

ENKCOM® 东莞市恩康电子科技有限公司
www.enkcom.com **DONGGUAN ENKANG ELECTRONICS TECHNOLOGY CO.,LTD**

TOLERANCE	DATE :	2018-06-05	TITLE:
ANGLE ±5°	DRAWN :	W.H.L	Pitch1.00mm Sip Socket Single Row
X.XXX ±0.10	CHECKED :		PART NO: PQS01403TC000432A000
X.XX ±0.20	APPROVED :		
X.X ±0.30	PROJECTON		
X. ±0.50			REV: A1 UNIT: mm SCALE: 1:1 SIZE: A4 PAGE 1/1