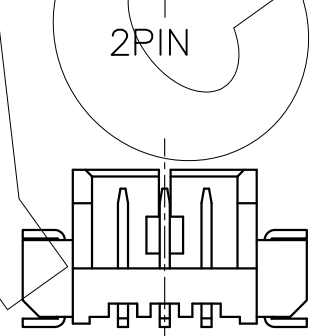
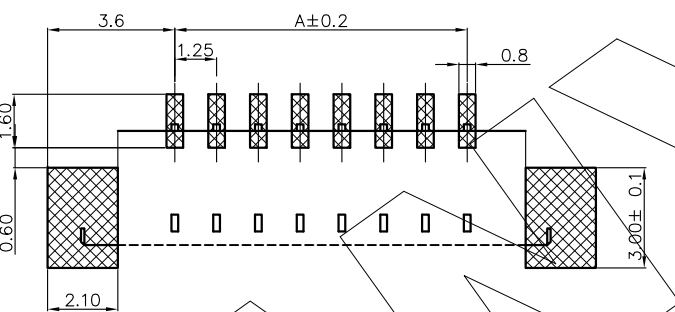
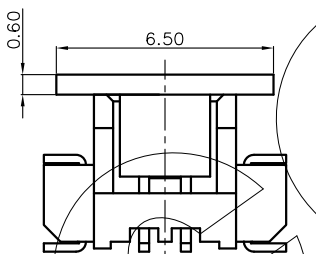
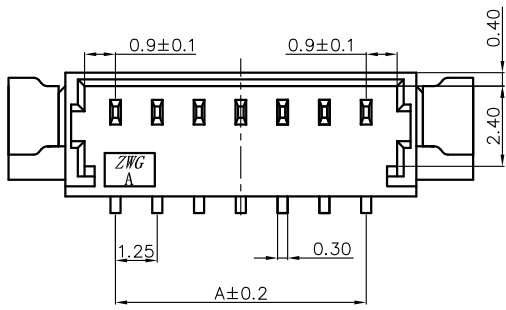
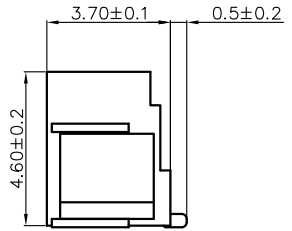
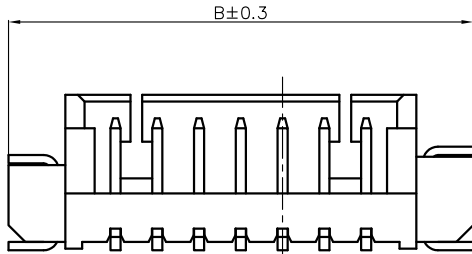


零件图	成品图	客户图
		○

REVISION DATA				
REV	ECN No.	DESCRIPTION	NAME	DATE
A0		NEW DRAWING	Songjun	2017-03-27



Technical Data

Material:
 Contact Material: Copper Alloy
 Contact plating: Au or Sn Over Ni
 Insulator Material: See the table, UL94 V-0

Electrical:
 Rating current: 1Amps/contact max.
 Rating voltage : 250 V AC/DC
 Contact resistance: ≤20mΩ/contact
 Insulation resistance: ≥100MΩ
 Withstanding Voltage: 500V AC/minute

Mechanical:
 Operating temperatures: Gold Plated: -55°C to +105°C
 Tin plated: -40°C to +105°C
 Soldering temperature: +260°C, max(PA66)
 +220°C, max(PBT)

poles	A	B
2	1.25	7.65
3	2.5	8.9
4	3.75	10.15
5	5.0	11.4
6	6.25	12.65
7	7.5	13.9
8	8.75	15.15
9	10.0	16.4
10	11.25	17.65
11	12.5	18.9
12	13.75	20.15
13	15.0	21.4
14	16.25	22.65
15	17.5	23.9
16	18.75	25.15

WF	C	S	11	XXX	XX	X	N	S001
Pitch(mm) A 2.5 B 2.0 C 1.25 D 3.96 E 2.54 F 3.0 G 1.0	Angel Options R 90° D 180° S SMT H 卧式SMT	Product Type 11 Single row	No. of Positions XXX Poles	Pin Plating G0 Gold Flash SN Tin Plated	Insulator Material A PBT B PA66 C PA6T D LCP E PA46 F PA9T	W With peg N NO Peg L with lock T Fixed Tabs	Series NO.	

ANYCONN® 东莞市恩康电子科技有限公司
 www.anyconn.com
 TEL:+86(0)769 8904 9672
 FAX:+86(0)769 8904 9671
 E-MAIL:sales@anyconn.com

DONGGUAN ENKANG ELECTRONICS TECHNOLOGY CO.,LTD

TOLERANCE	DATE : 2017-03-27	TITLE:
ANGLE ±5°	DRAWN : Songjun	PH 1.25 H4.60 SMT WAFER
X.XXX ±0.15	CHECKED :	PART NO: WFCS11XXXXXXNS001
X.XX ±0.25	APPROVED :	
X.X ±0.40	PROJECTON	
X. ±0.50	REV: A0	UNIT: mm
	SCALE: 1:1	SIZE: A4
	PAGE: 1/1	