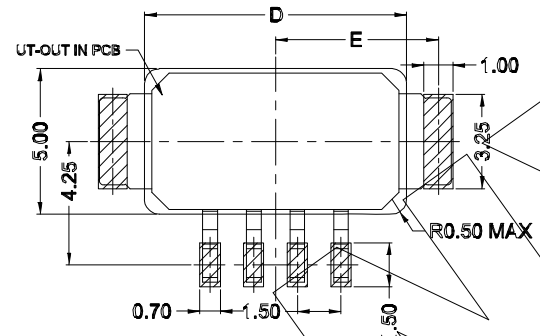
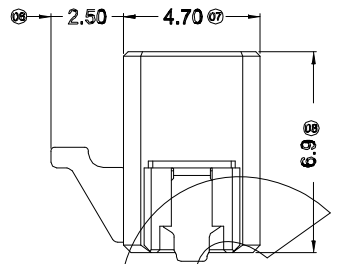
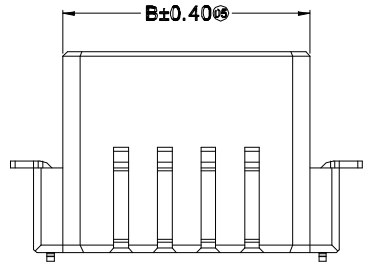
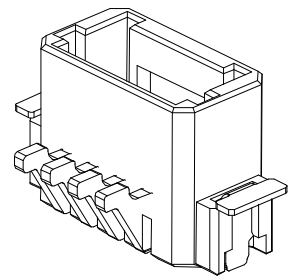
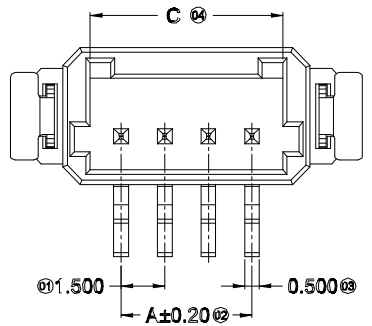


| | | |
|-----|-----|-----|
| 零件图 | 成品图 | 客户图 |
| | | ○ |

| REVISION DATA | | | | |
|---------------|---------|-------------|-------|------------|
| REV | ECN No. | DESCRIPTION | NAME | DATE |
| A0 | | NEW DRAWING | D.Y.Y | 2019-05-30 |



Recommended P.C.B Layout
General Tolerance ±0.05

| | | | | | | | | |
|--|------------------------|-------------------------------|-------------------------------|---|--|---|------------|------|
| WF | H | R | 11 | XXX | XX | X | L | R001 |
| Pitch(mm) A 2.5 B 2.0 C 1.25 D 3.96 E 2.54 F 3.0 G 1.0 H 1.5 | Angel Options R 90° | Product Type 11 Single row | No. of Positions XXX Poles | Pin Plating G0 Gold Flash SN Tin Plated | Insulator Material A PBT B PA66 C PA6T D LCP E PA46 F PA9T | W With peg N NO Peg L with lock T Fixed Tabs | Series NO. | |

| Poles | Dimensions(mm) | | | | |
|-------|----------------|-------|------|-------|------|
| | A | B | C | D | E |
| 02 | 1.50 | 5.50 | 3.62 | 6.00 | 4.10 |
| 03 | 3.00 | 7.00 | 5.12 | 7.50 | 4.85 |
| 04 | 4.50 | 8.50 | 6.62 | 9.00 | 5.60 |
| 05 | 6.00 | 10.00 | 8.12 | 10.50 | 6.35 |
| 06 | 7.60 | 11.50 | 9.62 | 12.00 | 7.10 |

Technical Data

Material:
Contact Material: Copper Alloy
Contact plating: Au or Sn Over Ni
Insulator Material: See the table, UL94 V-0

Electrical:
Rating current: 3Amps/contact max.
Rating voltage : 250 V AC/DC
Contact resistance: ≤20mΩ/contact
Insulation resistance: ≥500MΩ
Withstanding Voltage: 500V AC/minute

Mechanical:
Operating temperatures: Gold Plated: -55°C to +105°C
Tin plated: -40°C to +105°C
Soldering temperature: +260°C, max(PA66)
+220°C, max(PBT)

ANYCONN® 东莞市恩康电子科技有限公司
DONGGUAN ENKANG ELECTRONICS TECHNOLOGY CO.,LTD

| | | | | | |
|-------------|------------|------------|----------------------------|------------------------------|-----|
| TOLERANCE | DATE : | 2019-05-30 | TITLE: | PH1.50 H6.90 W4.70 SMT WAFER | |
| ANGLE ±5° | DRAWN : | D.Y.Y | PART NO: WFHR11XXXXXXLR001 | REV: | A0 |
| X.XXX ±0.15 | CHECKED : | | | UNIT: | mm |
| X.XX ±0.25 | APPROVED : | | | SCALE: | 1:1 |
| X.X ±0.40 | PROJECTON | | SIZE: | A4 | |
| X. ±0.50 | | | PAGE: | 1/1 | |