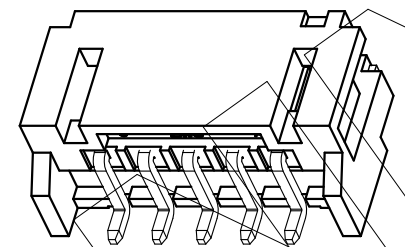
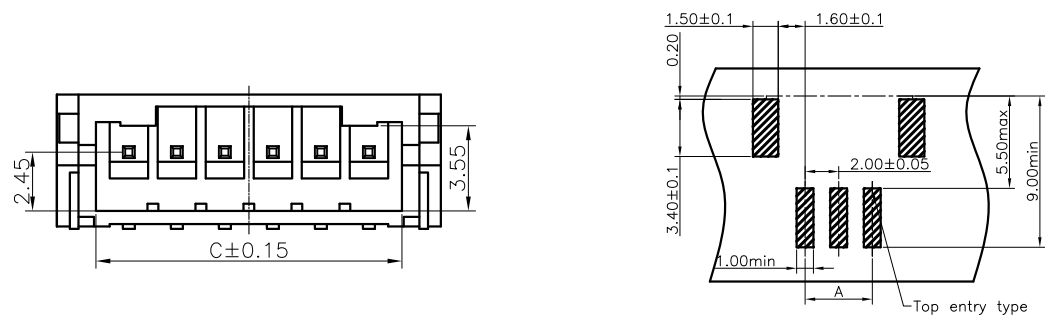


| REVISION DATA | | | | |
|---------------|---------|-------------|---------|------------|
| REV | ECN No. | DESCRIPTION | NAME | DATE |
| A0 | | NEW DRAWING | Songjun | 2016-11-29 |



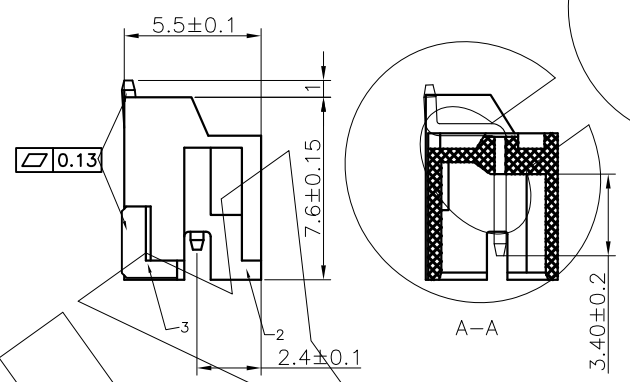
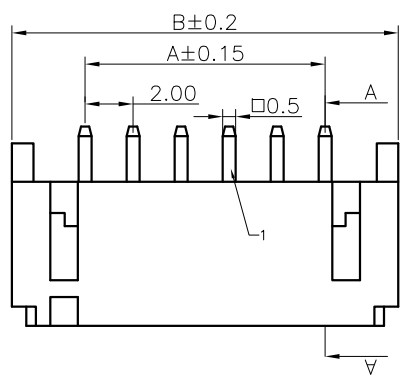
| 孔位 poles | A | B | C |
|----------|-------|-------|-------|
| 2 | 2.00 | 8.00 | 4.75 |
| 3 | 4.00 | 10.00 | 6.75 |
| 4 | 6.00 | 12.00 | 8.75 |
| 5 | 8.00 | 14.00 | 10.75 |
| 6 | 10.00 | 16.00 | 12.75 |
| 7 | 12.00 | 18.00 | 14.75 |
| 8 | 14.00 | 20.00 | 16.75 |
| 9 | 16.00 | 22.00 | 18.75 |
| 10 | 18.00 | 24.00 | 20.75 |
| 11 | 20.00 | 26.00 | 22.75 |
| 12 | 22.00 | 28.00 | 24.75 |
| 13 | 24.00 | 30.00 | 26.75 |
| 14 | 26.00 | 32.00 | 28.75 |
| 15 | 28.00 | 34.00 | 30.75 |
| 16 | 30.00 | 36.00 | 32.75 |

Technical Data

Material:
 Contact Material: Copper Alloy
 Contact plating: Au or Sn Over Ni
 Insulator Material: See the table, UL94 V-0

Electrical:
 Rating current: 2Amps/contact max.
 Rating voltage : 125 V AC/DC
 Contact resistance: ≤30mΩ/contact
 Insulation resistance: ≥1000MΩ
 Withstanding Voltage: 1000V AC/minute

Mechanical:
 Operating temperatures: Gold Plated: -55°C to +105°C
 Tin plated: -40°C to +105°C
 Soldering temperature: +260°C, max(PA66)
 +220°C, max(PBT)



| | | | | | | | | |
|---|---|-------------------------------|-------------------------------|---|--|---------------------------------------|--------------------|------|
| WF | B | S | 11 | XXX | XX | D | N | S007 |
| Pitch(mm) A 2.5 B 2.0 C 1.25 D 3.96 E 2.54 F 3.0 G 1.0 | Angel Options R 90° D 180° S SMT | Product Type 11 Single row | No. of Positions XXX Poles | Pin Plating G0 Gold Flash SN Tin Plated | Insulator Material A PBT B PA66 C PA6T D LCP E PA46 F PA9T | W With peg N NO Peg L with lock | Series NO. SXXX | |

ANYCONN® 东莞市恩康电子科技有限公司
 www.anyconn.com
 TEL:+86(0)769 8904 9672
 FAX:+86(0)769 8904 9671
 E-MAIL:sales@anyconn.com
DONGGUAN ENKANG ELECTRONICS TECHNOLOGY CO.,LTD

| | | |
|-------------|-------------------|---------------------------|
| TOLERANCE | DATE : 2016-11-29 | TITLE: |
| ANGLE ±5° | DRAWN : Songjun | PH2.00 H7.6 SMT WAFER |
| X.XXX ±0.15 | CHECKED : | PART NO: WFBS11XXXXDNS007 |
| X.XX ±0.25 | APPROVED : | |
| X.X ±0.40 | PROJECTON | |
| X. ±0.50 | REV: A0 | UNIT: mm |
| | SCALE: 1:1 | SIZE: A4 |
| | PAGE: 1/1 | |