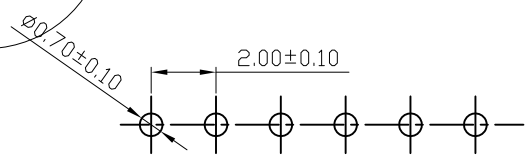
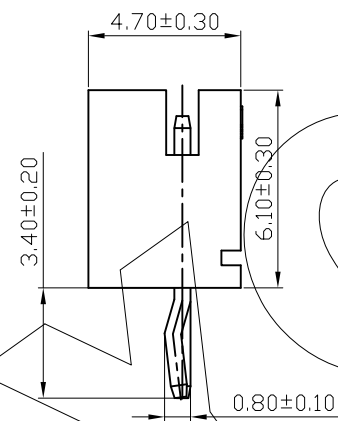
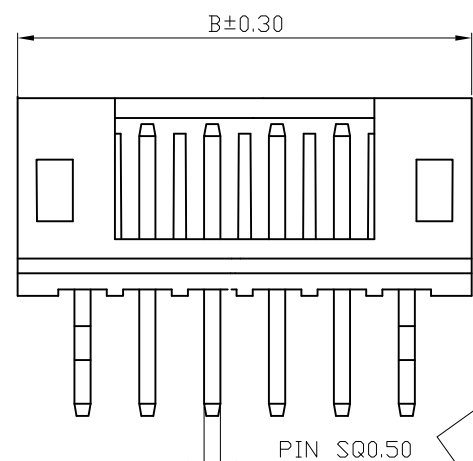
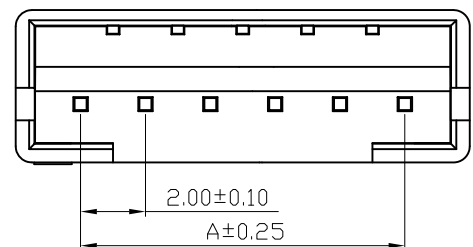


零件图	成品图	客户图
		○

REVISION DATA				
REV	ECN No.	DESCRIPTION	NAME	DATE
A0		NEW DRAWING	D.Y.Y	2020-05-05



Recommended P.C.B Layout(Top Side)
P.C.B Thickness = 1.20mm
(Tolerance=±0.05)

Technical Data

Material:
Contact Material: Copper Alloy
Contact plating: Au or Sn Over Ni
Insulator Material: See the table, UL94 V-0

Electrical:
Rating current: 2Amps/contact max.
Rating voltage : 125 V AC/DC
Contact resistance: ≤30mΩ/contact
Insulation resistance: ≥1000MΩ
Withstanding Voltage: 1000V AC/minute

Mechanical:
Operating temperatures: Gold Plated: -55°C to +105°C
Tin plated: -40°C to +105°C
Soldering temperature: +260°C, max(PA66)
+220°C, max(PBT)

Ordering Information & Dimensions

Poles	Dimensions (mm)				
	A	B		A	B
2	2.00	6.00	10	18.00	22.00
3	4.00	8.00	11	20.00	24.00
4	6.00	10.00	12	22.00	26.00
5	8.00	12.00	13	24.00	28.00
6	10.00	14.00	14	26.00	30.00
7	12.00	16.00	15	28.00	32.00
8	14.00	18.00	16	30.00	34.00
9	16.00	20.00			

WF	B	D	XXX	XX	B	N	D012
B PH 2.0	D 180	Pin No. No. of Positions XXX Positions	Plated SN Tin 120 μ"	Material A PBT B PA-66 C PA-6T D LCP E PA-46 F PA-9T H PA4T			

ANYCONN®
www.anyconn.com
TEL:+86(0)769 8904 9672
FAX:+86(0)769 8904 9671
E-MAIL:sales@anyconn.com

东莞市恩康电子科技有限公司
DONGGUAN ENKANG ELECTRONICS TECHNOLOGY CO.,LTD

TOLERANCE	DATE :	2020-05-05	TITLE:	PH2.00 H6.1 1*7PIN 180°DIP WAFER
ANGLE ±5°	DRAWN :	D.Y.Y	PART NO: WFBXXXXXXXXND012	
X.XXX ±0.15	CHECKED :			
X.XX ±0.25	APPROVED :			
X.X ±0.40	PROJECTON		REV: A0	UNIT: mm
X. ±0.50			SCALE: 1:1	SIZE: A4
			PAGE: 1/1	