

零件图	成品图	客户图
		○

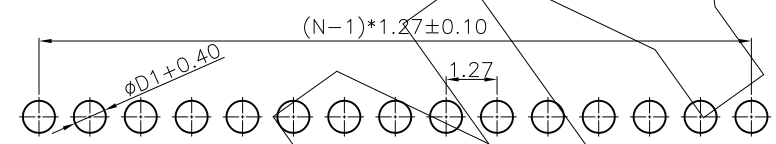
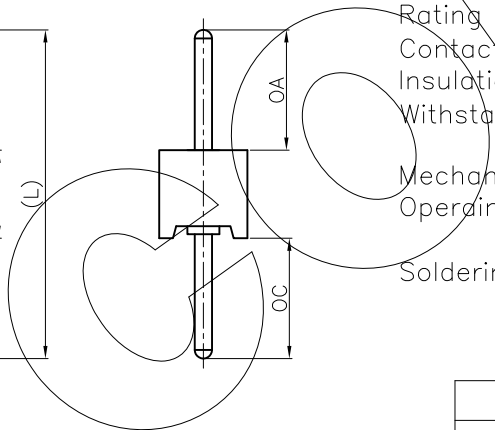
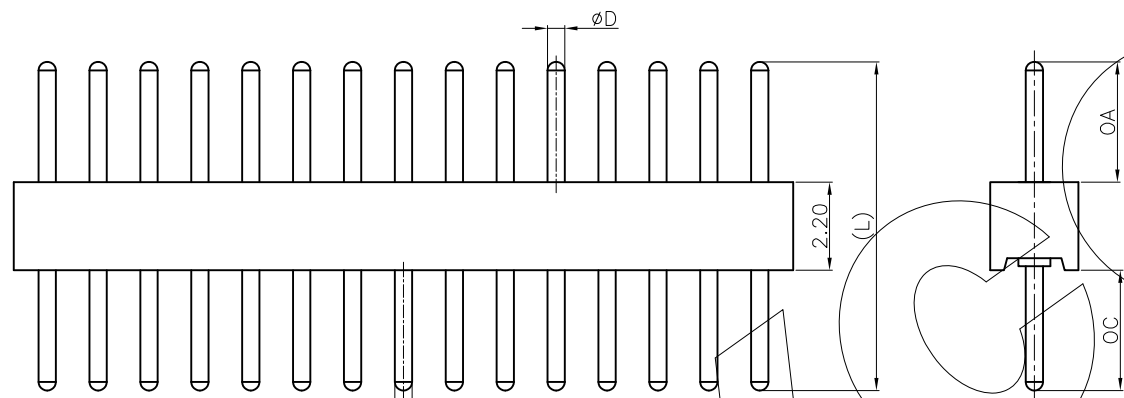
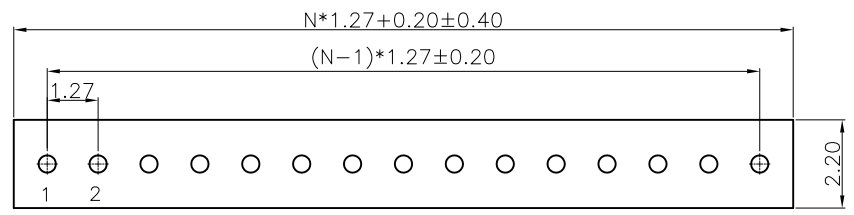
REVISION DATA				
REV	ECN No.	DESCRIPTION	NAME	DATE
A0		NEW DRAWING	Songjun	2020-10-17

### Technical Data

Material:  
 Contact Material: Copper Alloy  
 Contact plating: Au or Sn Over Ni  
 Insulator Material: PA46, UL94 V-0

Electrical:  
 Rating current: 1Amps/contact max.  
 Rating voltage : 60 V AC/DC  
 Contact resistance:  $\leq 4m\Omega$ /contact  
 Insulation resistance:  $\geq 1000M\Omega$   
 Withstanding Voltage: 500V AC/minute

Mechanical:  
 Operating temperatures: Gold Plated:  $-55^{\circ}C$  to  $+105^{\circ}C$   
 Tin plated:  $-40^{\circ}C$  to  $+105^{\circ}C$   
 Soldering temperature:  $+260^{\circ}C$ , max(PA46)



Recommended P.C.B Layout  
 General Tolerance  $\pm 0.05$

	OA	OC	D	D1	L
DIM.	2.50	2.00	0.40	0.40	6.70
	3.00	2.50	0.55	0.55	7.70
	3.50	2.80	0.60	0.60	8.50

Dim OA&OC&D&D1&L can be customized by customers

PG	D	XXX	0	5	I	X	00	XXXXX	0	00
Angel Options D 180° R 90° S SMT H H-SMT	No. of Positions XXX Positions	Dip Spacing 0 No 1 1.27mm 2 2.54mm 3 7.62mm 4 10.16mm 5 2.54mm 6 15.24mm 7 2.54mm 8 3.80mm 9 4.10mm A 2.00mm S Special	Insulator Height 0 No 1 1.20mm 2 1.90mm 3 2.80mm 4 2.10mm 5 2.80mm 6 3.80mm 7 3.80mm 8 3.80mm 9 4.10mm A 4.20mm B 7.00mm S Special	Insulator type J PA46 Single Row K PA46 Two Row	Pin Plated 1 Tin120u" 2 Tin200u" 3 Gold15u" 4 Gold80u" 5 Gold1u" 6 Gold15u" 7 Gold2u" 8 Gold3u" 9 Gold5u" A Gold8u" B Gold10u" C Gold15u" D Gold30u" E Ag plated F Nickel 80u"	Clip plated 1 Tin120u" 2 Tin200u" 3 Gold15u" 4 Gold80u" 5 Gold1u" 6 Gold15u" 7 Gold2u" 8 Gold3u" 9 Gold5u" A Gold8u" B Gold10u" C Gold15u" D Gold30u" E Ag plated F Nickel 80u"	Pin length(mm) XXXXX XX.Xmm S Special	Insulator Option 0 No	Series 00 No	

**ANYCONN®** 东莞市恩康电子科技有限公司  
 www.anyconn.com  
 TEL:+86(0)769 8904 9672  
 FAX:+86(0)769 8904 9671  
 E-MAIL:sales@anyconn.com  
**DONGGUAN ENKANG ELECTRONICS TECHNOLOGY CO.,LTD**

TOLERANCE	DATE :	2020-10-17	TITLE:	PH1.27 IC Sockets Male Single Row 180° DIP			
ANGLE $\pm 5^{\circ}$	DRAWN :	Songjun	PART NO: PGDXXX051X00XXXXX000				
X.XXX $\pm 0.15$	CHECKED :						
X.XX $\pm 0.25$	APPROVED :						
X.X $\pm 0.40$	PROJECTON		REV: A0	UNIT: mm	SCALE: 1:1	SIZE: A4	PAGE: 1/1
X. $\pm 0.50$							