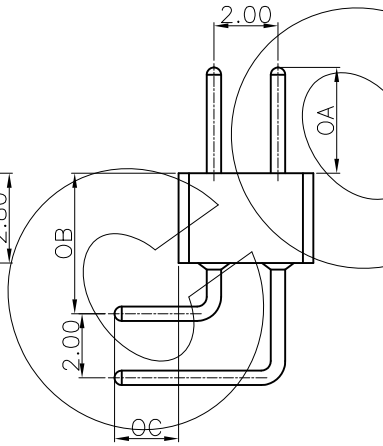
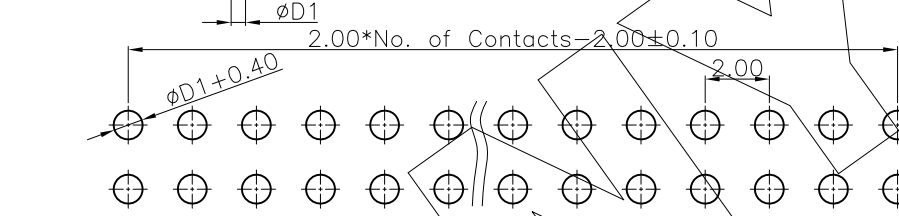
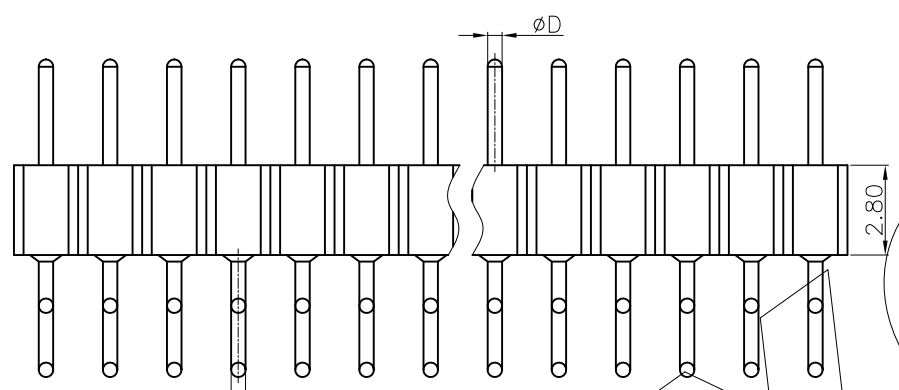
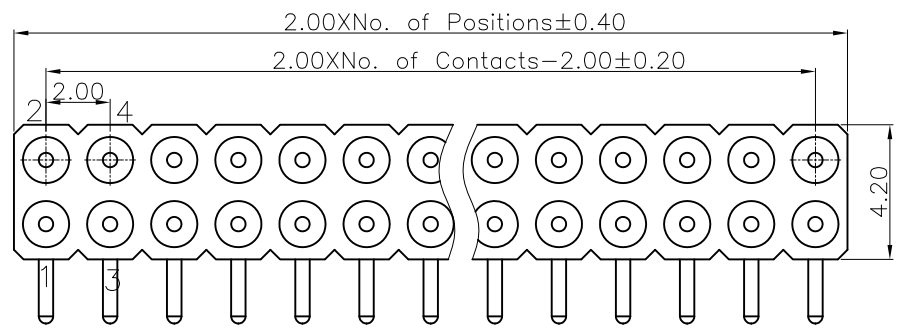


零件图	成品图	客户图
		○

REVISION DATA				
REV	ECN No.	DESCRIPTION	NAME	DATE
A0		NEW DRAWING	Songjun	2020-10-17



Technical Data

Material:
 Contact Material: Copper Alloy
 Contact plating: Au or Sn Over Ni
 Insulator Material: PRS, UL94 V-0

Electrical:
 Rating current: 2Amps/contact max.
 Rating voltage : 60 V AC/DC
 Contact resistance: ≤4mΩ/contact
 Insulation resistance: ≥1000MΩ
 Withstanding Voltage: 500V AC/minute

Mechanical:
 Operating temperatures: Gold Plated: -55°C to +105°C
 Tin plated: -40°C to +105°C
 Soldering temperature: +260°C, max(PPS)

	OA	OC	OB	D	D1
DIM.	2.50	2.00	4.00	0.46	0.46
	3.00	2.50	4.50	0.55	0.55
	3.50	2.80	5.20	0.66	0.66

Dim OA&OC&OB&D&D1 can be customized by customers

Recommended P.C.B Layout
 General Tolerance ±0.05

PC	R	XXX	A	6	F	X	00	XXXXX	0	00
Angel Options D 180° R 90° S SMT H H-SMT	No. of Positions XXX Positions	Dip Spacing 0 No 1 1.27mm 2 2.54mm 3 7.62mm 4 10.16mm 5 2.54mm 6 15.24mm 9 22.86mm A 2.00mm S Special	Insulator Height 0 No 1 1.20 mm 2 1.90 mm 3 2.90 mm 4 2.10 mm 5 2.80 mm 7 3.00 mm 8 3.80 mm 9 4.10 mm A 4.20 mm B 7.00 mm S Special	Insulator type E PPS Single Row F PPS Two Row	Pin Plated 0 No 1 Tin120u" 2 Tin200u" 3 Gold0.4u" 4 Gold0.8u" 5 Gold1u" 6 Gold1.5u" 7 Gold2u" 8 Gold3u" 9 Gold5u" A Gold8u" B Gold10u" C Gold15u" D Gold30u" E Ag plated F Nickel 80u"	Clip plated 0 No 1 Tin120u" 2 Tin200u" 3 Gold0.4u" 4 Gold0.8u" 5 Gold1u" 6 Gold1.5u" 7 Gold2u" 8 Gold3u" 9 Gold5u" A Gold8u" B Gold10u" C Gold15u" D Gold30u" E Ag plated F Nickel 80u"	Pin length(mm) XXXXX XX.Xmm S Special	Insulator Option 0 No	Series 00 No	

ANYCONN® 东莞市恩康电子科技有限公司
 www.anyconn.com
 TEL:+86(0)769 8904 9672
 FAX:+86(0)769 8904 9671
 E-MAIL:sales@anyconn.com
DONGGUAN ENKANG ELECTRONICS TECHNOLOGY CO.,LTD

TOLERANCE	DATE : 2020-10-17	TITLE: PH2.00 IC Sockets Male Dual Row 180° DIP
ANGLE ±5°	DRAWN : Songjun	PART NO: PCRXXXA6FX00XXXXXX000
X.XXX ±0.15	CHECKED :	
X.XX ±0.25	APPROVED :	
X.X ±0.40	PROJECTON	REV: A0
X. ±0.50		UNIT: mm
		SCALE: 1:1
		SIZE: A4
		PAGE: 1/1