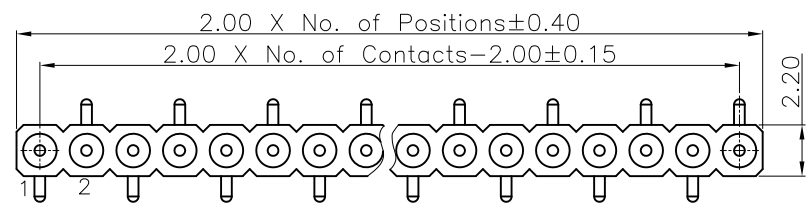


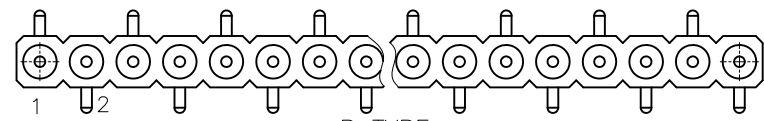
REVISION DATA				
REV	ECN No.	DESCRIPTION	NAME	DATE
A0		NEW DRAWING	Songjun	2020-10-17

Technical Data

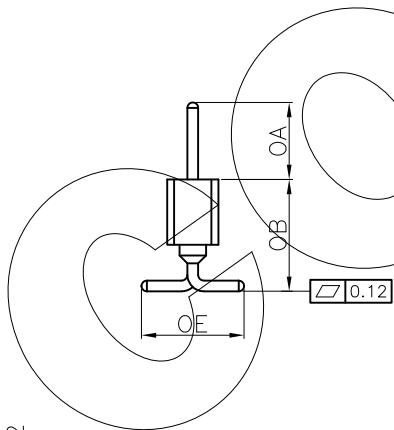
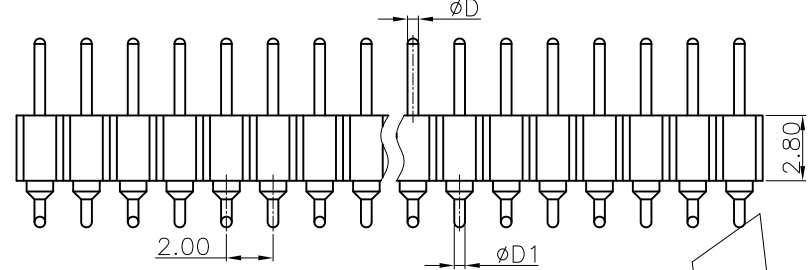
Material:
 Contact Material: Copper Alloy
 Contact plating: Au or Sn Over Ni
 Insulator Material: PPS, UL94, V-0
 Electrical:
 Rating current: 2Amps/contact max.
 Rating voltage : 60 V AC/DC
 Contact resistance: $\leq 4m\Omega$ /contact
 Insulation resistance: $\geq 1000M\Omega$
 Withstanding Voltage: 500V AC/minute
 Mechanical:
 Operating temperatures: Gold Plated: $-55^{\circ}C$ to $+105^{\circ}C$
 Tin plated: $-40^{\circ}C$ to $+105^{\circ}C$
 Soldering temperature: $+260^{\circ}C$, max(PPS)



A TYPE

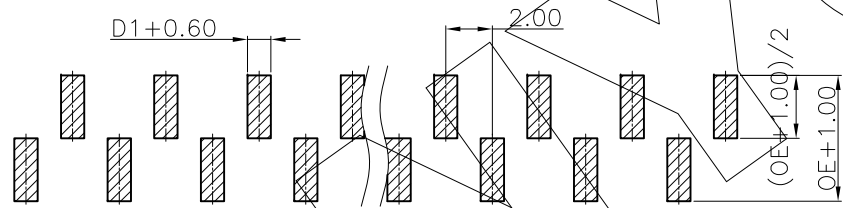


B TYPE

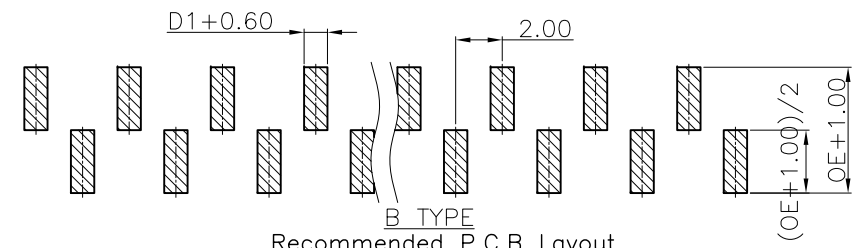


	OA	OB	D	D1	OE
DIM.	2.50	4.50	0.40	0.40	4.00
	3.00	4.80	0.46	0.46	4.50
	3.50	5.20	0.55	0.50	5.20

Dim OA&OB&D&D1&OE can be customized by customers



A TYPE
Recommended P.C.B Layout
General Tolerance ± 0.05



B TYPE
Recommended P.C.B Layout
General Tolerance ± 0.05

PC	X	XXX	0	6	E	X	00	XXXXX	0	00
Angel Options A A TYPE B B TYPE	No. of Positions XXX Positions	Dip Spacing 0 No 1 1.27mm 2 2.54mm 3 2.80mm 4 2.10mm 5 2.80mm 6 10.16mm 7 3.00mm 8 3.80mm 9 4.10mm A 2.00mm S Special	Insulator Height 0 No 1 1.20mm 2 1.90mm 3 2.80mm 4 2.10mm 5 2.80mm 6 3.00mm 7 3.80mm 8 4.10mm A 4.20mm B 7.00mm S Special	Insulator type E PPS Single Row F PPS Two Row	Pin Plated 0 No 1 Tin20u" 2 Tin200u" 3 Gold15u" 4 Gold30u" 5 Gold1u" 6 Gold15u" 7 Gold2u" 8 Gold3u" 9 Gold5u" A Gold8u" B Gold10u" C Gold15u" D Gold30u" E Ag plated F Nickel 80u"	Clip plated 0 No 1 Tin20u" 2 Tin200u" 3 Gold15u" 4 Gold30u" 5 Gold1u" 6 Gold15u" 7 Gold2u" 8 Gold3u" 9 Gold5u" A Gold8u" B Gold10u" C Gold15u" D Gold30u" E Ag plated F Nickel 80u"	Pin length(mm) XXXXX XX.Xmm S Special	Insulator Option 0 No	Series 00 No	

ANYCONN®
 www.anyconn.com
 TEL:+86(0)769 8904 9672
 FAX:+86(0)769 8904 9671
 E-MAIL:sales@anyconn.com

东莞市恩康电子科技有限公司
DONGGUAN ENKANG ELECTRONICS TECHNOLOGY CO.,LTD

TOLERANCE	DATE :	2020-10-17	TITLE:	PH2.00 IC Sockets Male Single Row SMT			
ANGLE $\pm 5^{\circ}$	DRAWN :	Songjun	PART NO: PCXXX0XEX00XXXX000				
X.XXX ± 0.15	CHECKED :						
X.XX ± 0.25	APPROVED :						
X.X ± 0.40	PROJECTON		REV: A0	UNIT: mm	SCALE: 1:1	SIZE: A4	PAGE: 1/1
X. ± 0.50							