

零件图	成品图	客户图
		○

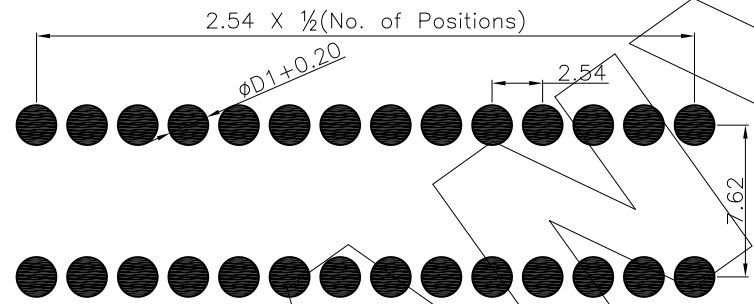
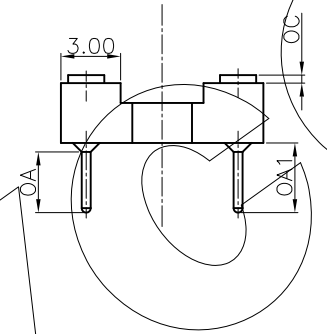
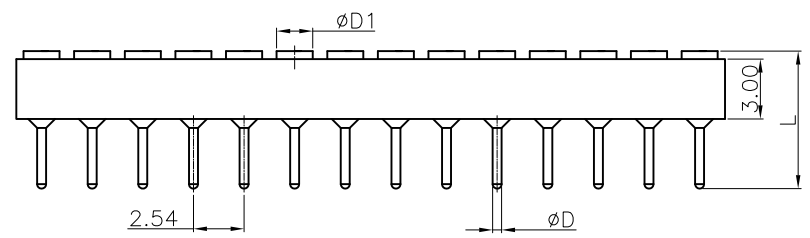
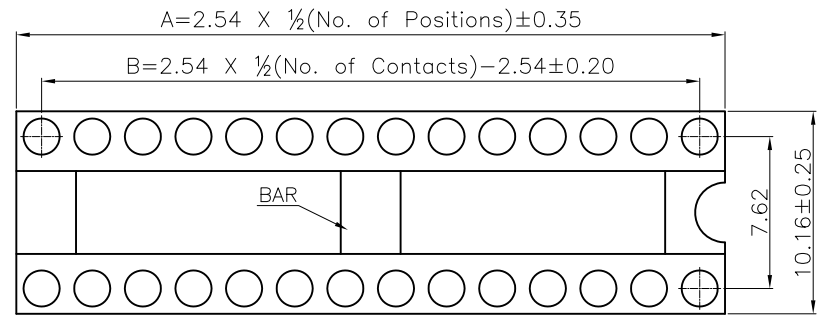
REVISION DATA				
REV	ECN No.	DESCRIPTION	NAME	DATE
A0		NEW DRAWING	Songjun	2020-10-17

### Technical Data

Material:  
 Contact Material: Copper Alloy  
 Contact plating: Au or Sn Over Ni  
 Insulator Material: PPS, UL94 V-0

Electrical:  
 Rating current: 3Amps/contact max.  
 Rating voltage : 60 V AC/DC  
 Contact resistance: ≤4mΩ/contact  
 Insulation resistance: ≥1000MΩ  
 Withstanding Voltage: 500V AC/minute

Mechanical:  
 Operating temperatures: Gold Plated: -55°C to +105°C  
 Tin plated: -40°C to +105°C  
 Soldering temperature: +260°C, max(PPS)



Recommended P.C.B. Layout  
 General Tolerance ±0.05

DIM.	D	D1	OA	OA1	OC	L
	0.45	1.40	3.00	3.50	0.35	6.85
	0.47	1.60	3.50	3.90	0.40	7.30
	0.50	1.80	4.20	4.80	0.50	8.30

Dim D&D1&OA&OC&OC1&L can be customized by customers

Pin No.	DIM"A"	DIM"B"	TYPE
6	7.62	5.08	No BAR
8	10.16	7.62	
10	12.70	10.16	
12	15.24	12.70	
14	17.78	15.24	
16	20.32	17.78	
18	22.86	20.32	
20	25.4	22.86	
24	30.48	27.94	
26	33.02	35.56	
28	35.56	33.02	

PA	D	XXX	3	7	X	X	00	XXXXX	D	00
Angel Options D 180° R 90° S SMT H H-SMT	No. of Positions XXX Positions	Dip Spacing 0 No 1 1.27mm 2 2.54mm 3 2.90mm 4 2.10mm 5 2.20mm 6 15.24mm 7 3.90mm 8 3.80mm 9 4.10mm A 4.20mm A 2.00mm S Special	Insulator Height 0 No 1 1.20mm 2 1.90mm 3 2.90mm 4 2.10mm 5 2.20mm 6 15.24mm 7 3.90mm 8 3.80mm 9 4.10mm A 4.20mm B 7.00mm S Special	Insulator type G PPS+NO BAR H PPS+WITH BAR	Pin Plated 0 No 1 Tin120u" 2 Tin200u" 3 Gold0.4u" 4 Gold0.8u" 5 Gold1u" 6 Gold1.5u" 7 Gold2u" 8 Gold3u" 9 Gold5u" A Gold8u" B Gold10u" C Gold15u" D Gold30u" E Ag plated F Nickel 80u"	Clip plated 0 No 1 Tin120u" 2 Tin200u" 3 Gold0.4u" 4 Gold0.8u" 5 Gold1u" 6 Gold1.5u" 7 Gold2u" 8 Gold3u" 9 Gold5u" A Gold8u" B Gold10u" C Gold15u" D Gold30u" E Ag plated F Nickel 80u"	Pin length (mm) XXXXX XXXmm S Special	Series 00 No		

**ANYCONN®**  
 www.anyconn.com  
 TEL:+86(0)769 8904 9672  
 FAX:+86(0)769 8904 9671  
 E-MAIL:sales@anycom.tv

**东莞市恩康电子科技有限公司**  
**DONGGUAN ENKANG ELECTRONICS TECHNOLOGY CO.,LTD**

TOLERANCE	DATE :	2020-10-17	TITLE:
ANGLE ±5°	DRAWN :	Songjun	PH2.54 IC Sockets Male Dual Row SMT
X.XXX ±0.15	CHECKED :		PART NO: PADXXX37XX00XXXXXD00
X.XX ±0.25	APPROVED :		
X.X ±0.40	PROJECTON		
X. ±0.50	REV: A0	UNIT: mm	SCALE: 1:1
	SIZE: A4	PAGE: 1/1	