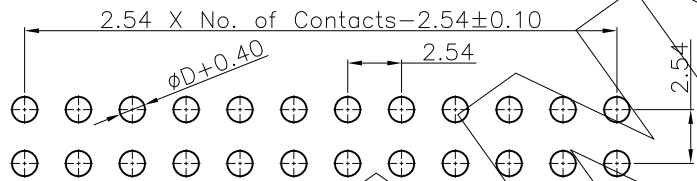
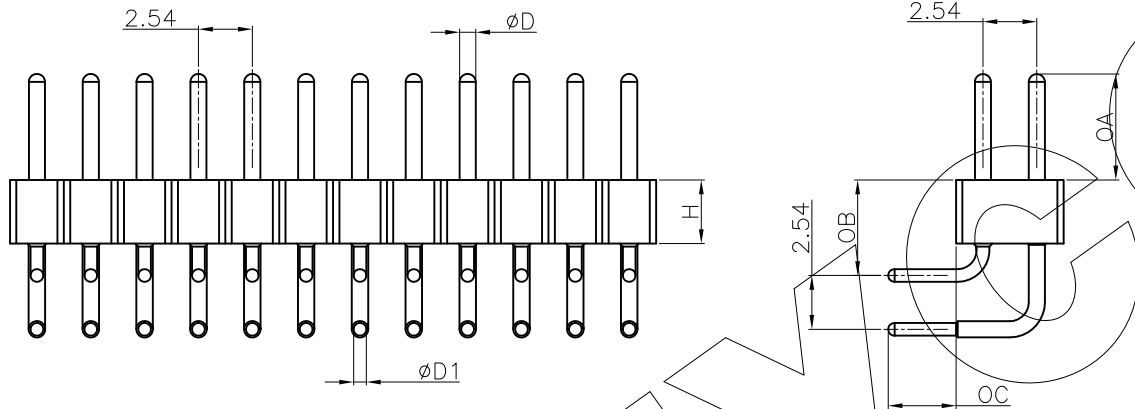
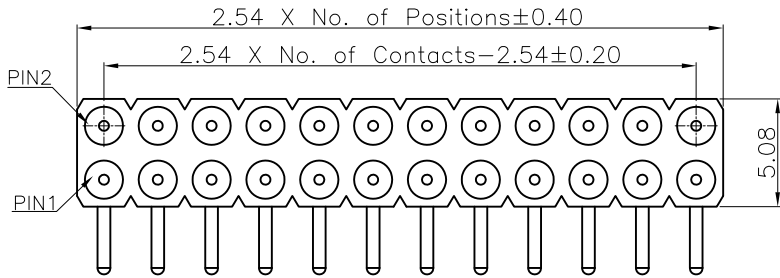


零件图	成品图	客户图
		○

REVISION DATA				
REV	ECN No.	DESCRIPTION	NAME	DATE
A0		NEW DRAWING	Songjun	2020-10-17



Recommended P.C.B. Layout
General Tolerance ±0.05

Technical Data

Material:
Contact Material: Copper Alloy
Contact plating: Au or Sn Over Ni
Insulator Material: PPS, UL94 V-0

Electrical:
Rating current: 3Amps/contact max.
Rating voltage : 60 V AC/DC
Contact resistance: ≤4mΩ/contact
Insulation resistance: ≥1000MΩ
Withstanding Voltage: 500V AC/minute

Mechanical:
Operating temperatures: Gold Plated: -55°C to +105°C
Tin plated: -40°C to +105°C
Soldering temperature: +260°C, max(PPS)

	H	OA	OC	OB	D	D1
DIM.	3.00	5.00	3.20	4.50	0.76	0.60
	1.90	3.00	2.56	4.00	0.60	0.50
	1.20	3.50	2.82	3.60	0.50	0.50

Dim H&OA&OC&OB&D&D1 can be customized by customers

PA	R	XXX	2	X	F	X	00	XXXXX	0	00
Angel Options D 180° R 90° S SMT H H-SMT	No. of Positions XXX Positions	Dip Spacing 0 No 1 1.27mm 2 2.54mm 3 7.62mm 4 10.16mm 6 15.24mm 9 22.86mm S Special	Insulator Height 0 No 1 1.20 mm 2 1.30 mm 3 2.00 mm 4 2.10 mm 5 2.20 mm 6 2.80 mm 7 3.00 mm 8 3.80 mm 9 4.10 mm A 4.20 mm B 7.00 mm S Special	Insulator type E PPS Single Row F PPS Two Row	Pin Plated 0 No 1 Tin120µ 2 Tin200µ 3 Gold0.4µ 4 Gold0.5µ 5 Gold1µ 6 Gold1.5µ 7 Gold2µ 8 Gold3µ 9 Gold5µ A Gold8µ B Gold10µ C Gold15µ D Gold30µ E Ag plated F Nickel80µ	Clip plated 00 No	Pin length (mm) XXXXXX XX.XXmm S Special	Insulator Option 0 No	Series 00 No	

ANYCONN®
www.anyconn.com
TEL:+86(0)769 8904 9672
FAX:+86(0)769 8904 9671
E-MAIL:sales@anyconn.com

东莞市恩康电子科技有限公司
DONGGUAN ENKANG ELECTRONICS TECHNOLOGY CO.,LTD

TOLERANCE	DATE :	2020-10-17	TITLE:	PH2.54 IC Sockets Male Dual Row 90° DIP
ANGLE ±5°	DRAWN :	Songjun	PART NO: PARXXX2FXF00XXXXX000	
X.XXX ±0.15	CHECKED :			
X.XX ±0.25	APPROVED :			
X.X ±0.40	PROJECTON		REV: A0	UNIT: mm
X. ±0.50			SCALE: 1:1	SIZE: A4
			PAGE: 1/1	