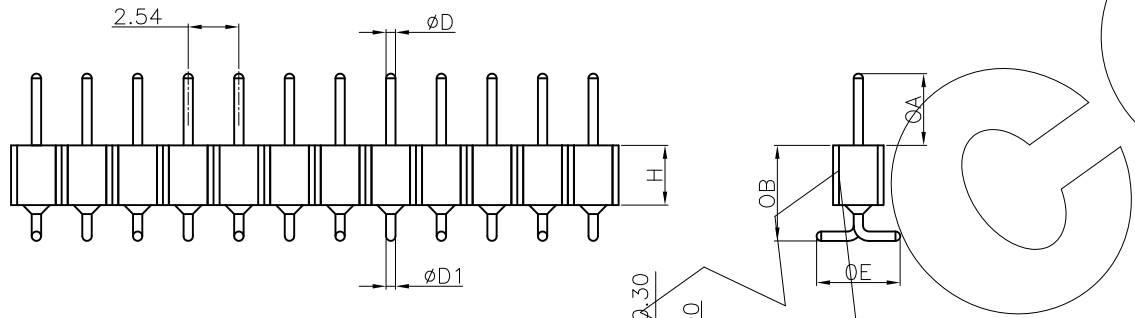
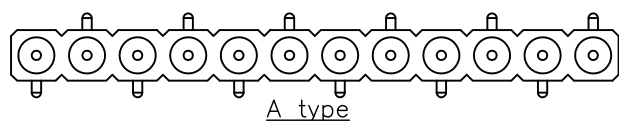
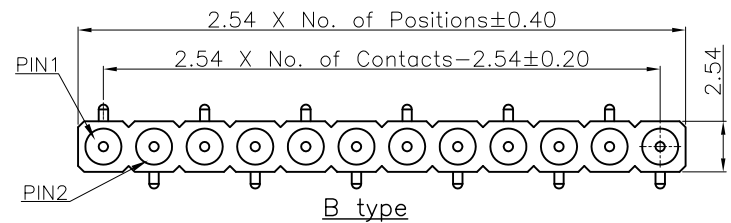


REVISION DATA				
REV	ECN No.	DESCRIPTION	NAME	DATE
A0		NEW DRAWING	Songjun	2020-10-17

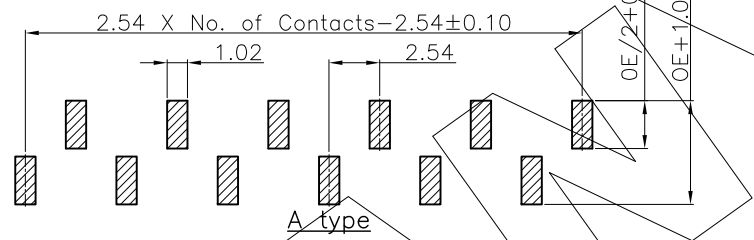


Technical Data

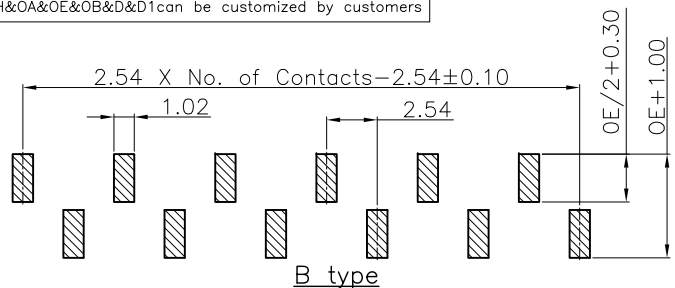
Material:
 Contact Material: Copper Alloy
 Contact plating: Au or Sn Over Ni
 Insulator Material: PPS, UL94 V-0
 Electrical:
 Rating current: 3Amps/contact max.
 Rating voltage : 60 V AC/DC
 Contact resistance: $\leq 4m\Omega$ /contact
 Insulation resistance: $\geq 1000M\Omega$
 Withstanding Voltage: 500V AC/minute
 Mechanical:
 Operating temperatures: Gold Plated: $-55^{\circ}C$ to $+105^{\circ}C$
 Tin plated: $-40^{\circ}C$ to $+105^{\circ}C$
 Soldering temperature: $+260^{\circ}C$, max(PPS)

	H	OA	OE	OB	D	D1
DIM.	3.00	3.60	4.20	4.80	0.47	0.47
	1.90	3.00	4.50	4.00	0.60	0.50
	1.20	3.50	4.60	3.60	0.50	0.50

Dim H&OA&OE&OB&D&D1 can be customized by customers



Recommended P.C.B Layout
General Tolerance ± 0.05



Recommended P.C.B Layout
General Tolerance ± 0.05

PA	X	XXX	0	X	E	X	00	XXXXX	0	00
Angel Options A TYPE A B TYPE B	No. of Positions XXX Positions	Dip Spacing 0 No 1 1.27mm 2 2.54mm 3 2.90mm 4 7.62mm 5 2.29mm 6 15.24mm 9 22.86mm A 2.00mm S Special	Insulator Height 0 No 1 1.20mm 2 1.90mm 3 2.90mm 4 2.10mm 5 2.29mm 6 1.90mm 9 3.80mm A 4.10mm A 4.20mm B 7.00mm S Special	Insulator type E PPS Single Row F PPS Two Row	Pin Plated 0 No 1 Tin20u" 2 Tin200u" 3 Gold0.4u" 4 Gold0.8u" 5 Gold1u" 6 Gold1.5u" 7 Gold2u" 8 Gold3u" 9 Gold5u" A Gold8u" B Gold10u" C Gold15u" D Gold30u" E Ag plated F Nickel80u"	Clip plated 0 No 1 Tin20u" 2 Tin200u" 3 Gold0.4u" 4 Gold0.8u" A-5 Gold1u" B-7 Gold2u" C-9 Gold3u" D-A Gold8u" B Gold10u" C Gold15u" D Gold30u" E Ag plated F Nickel80u"	Pin length(mm) XXXXX XXXmm S Special	Insulator Option 0 No	Series 00 No	

ANYCONN®
www.anyconn.com
TEL:+86(0)769 8904 9672
FAX:+86(0)769 8904 9671
E-MAIL:sales@anyconn.com

东莞市恩康电子科技有限公司
DONGGUAN ENKANG ELECTRONICS TECHNOLOGY CO.,LTD

TOLERANCE	DATE :	2020-10-17	TITLE:
ANGLE $\pm 5^{\circ}$	DRAWN :	Songjun	PH2.54 IC Sockets Male Single Row SMT
X.XXX ± 0.15	CHECKED :		PART NO: PAXXXX0XEX00XXXXX000
X.XX ± 0.25	APPROVED :		
X.X ± 0.40	PROJECTON		
X. ± 0.50			

REV: A0	UNIT: mm	SCALE: 1:1	SIZE: A4	PAGE: 1/1
---------	----------	------------	----------	-----------