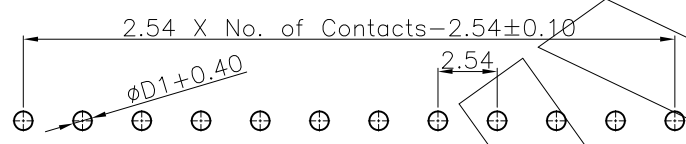
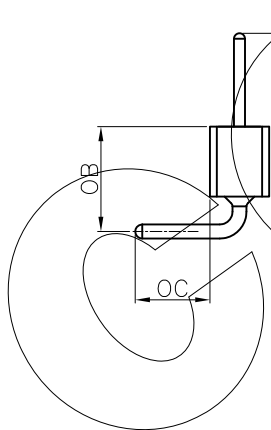
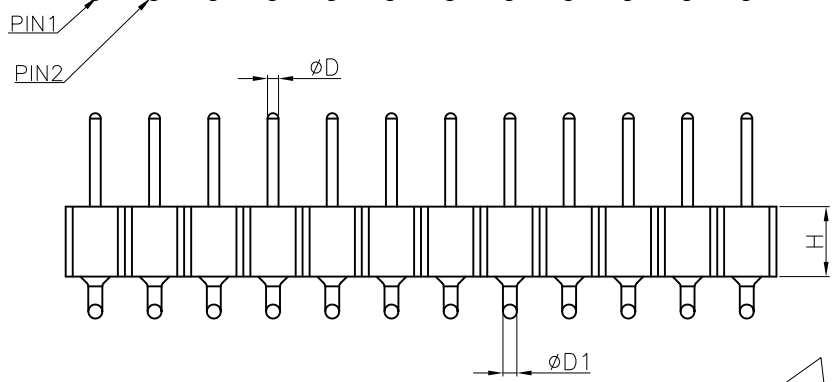
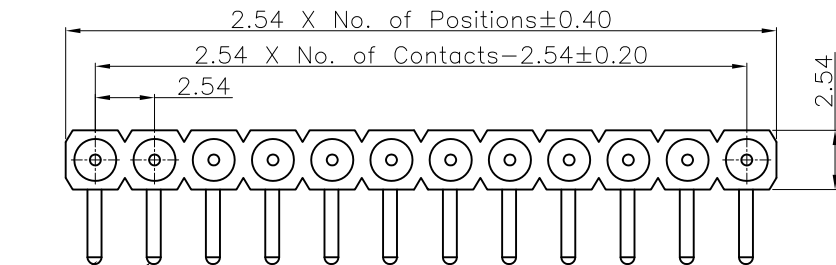


零件图	成品图	客户图
		○

REVISION DATA				
REV	ECN No.	DESCRIPTION	NAME	DATE
A0		NEW DRAWING	Songjun	2020-10-17



Recommended P.C.B. Layout  
General Tolerance ± 0.05

### Technical Data

Material:  
Contact Material: Copper Alloy  
Contact plating: Au or Sn Over Ni  
Insulator Material: PPS, UL94 V-0

Electrical:  
Rating current: 3Amps/contact max.  
Rating voltage : 60 V AC/DC  
Contact resistance: ≤ 4mΩ/contact  
Insulation resistance: ≥ 1000MΩ  
Withstanding Voltage: 500V AC/minute

Mechanical:  
Operating temperatures: Gold Plated: -55°C to +105°C  
Tin plated: -40°C to +105°C  
Soldering temperature: +260°C, max(PPS)

	H	OA	OC	OB	D	D1
DIM.	3.00	4.00	3.20	4.50	0.47	0.60
	1.90	3.00	2.56	4.00	0.60	0.50
	1.20	3.50	2.82	3.60	0.50	0.50

Dim H&OA&OC&OB&D&D1 can be customized by customers

PA	R	XXX	0	X	E	X	00	XXXXX	0	00
Angel Options D 180° R 90° S SMT H H-SMT	No. of Positions XXX Positions	Dip Spacing 0 No 1 1.27mm 2 2.54mm 3 7.62mm 4 10.16mm 6 15.24mm 9 22.86mm A 2.00mm S Special	Insulator Height 0 No 1 1.20mm 2 1.90mm 3 2.90mm 4 2.10mm 5 2.80mm 7 3.90mm 8 3.80mm 9 4.10mm A 4.20mm B 7.00mm S Special	Insulator type E PPS Single Row F PPS Two Row	Pin Plated 0 No 1 Tin120μ 2 Tin200μ 3 Gold10.4μ 4 Gold0.8μ 5 Gold1μ 6 Gold1.5μ 7 Gold2μ 8 Gold3μ 9 Gold5μ A Gold8μ B Gold10μ C Gold15μ D Gold30μ E Ag plated F Nickel 80μ	Clip plated 0 No 1 Tin120μ 2 Tin200μ 3 Gold10.4μ 4 Gold0.8μ 5 Gold1μ 6 Gold1.5μ 7 Gold2μ 8 Gold3μ 9 Gold5μ A Gold8μ B Gold10μ C Gold15μ D Gold30μ E Ag plated F Nickel 80μ	Pin length(mm) XXXXX XX.Xmm S Special	Insulator Option 0 No	Series 00 No	

**ANYCONN®** 东莞市恩康电子科技有限公司  
www.anyconn.com  
TEL:+86(0)769 8904 9672  
FAX:+86(0)769 8904 9671  
E-MAIL:sales@anyconn.com

**DONGGUAN ENKANG ELECTRONICS TECHNOLOGY CO.,LTD**

TOLERANCE	DATE : 2020-10-17	TITLE: PH2.54 IC Sockets Male Single Row 90° DIP
ANGLE ±5°	DRAWN : Songjun	PART NO: PARXXX0XEX00XXXXX000
X.XXX ±0.15	CHECKED :	
X.XX ±0.25	APPROVED :	
X.X ±0.40	PROJECTON	REV: A0
X. ±0.50		UNIT: mm
		SCALE: 1:1
		SIZE: A4
		PAGE: 1/1