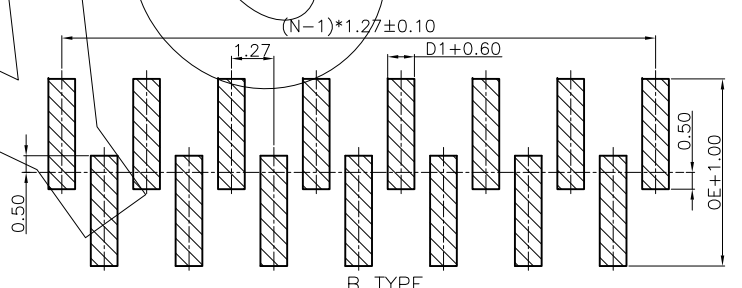
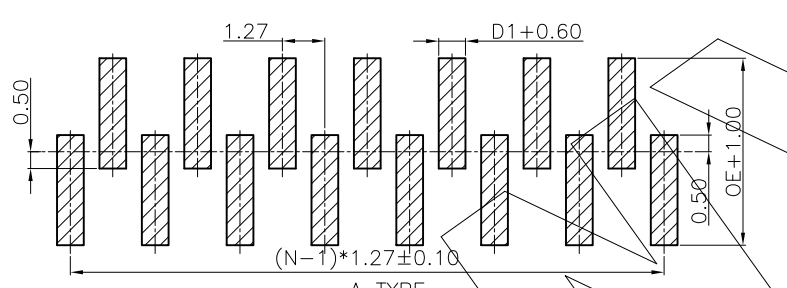
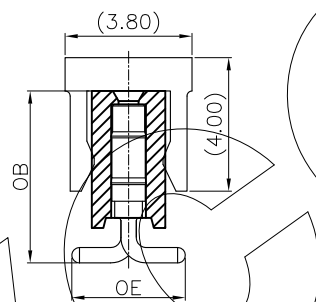
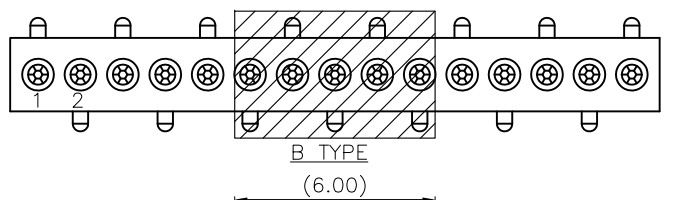
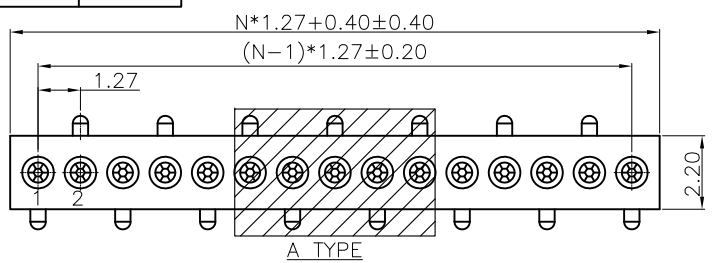


REVISION DATA				
REV	ECN No.	DESCRIPTION	NAME	DATE
A0		NEW DRAWING	Songjun	2020-10-17



Technical Data

Material:
 Contact Material: Copper Alloy
 Contact plating: Au or Sn Over Ni
 Insulator Material: PA46, UL94 V-0

Electrical:
 Rating current: 1Amps/contact max.
 Rating voltage : 60 V AC/DC
 Contact resistance: ≤4mΩ/contact
 Insulation resistance: ≥1000MΩ
 Withstanding Voltage: 500V AC/minute

Mechanical:
 Operating temperatures: Gold Plated: -55°C to +105°C
 Tin plated: -40°C to +105°C
 Soldering temperature: +260°C, max(PA46)

	OE	D	D1	OB
DIM.	3.40	0.40	0.40	6.70
	3.80	0.55	0.55	7.70
	4.20	0.60	0.60	8.50

Dim OC&D&D1&OB can be customized by customers

Recommended P.C.B Layout
 General Tolerance ±0.05

Recommended P.C.B Layout
 General Tolerance ±0.05

PH	X	XXX	0	9	E	X	00	XXXXX	0	00
Angel Options A A TYPE B B TYPE	No. of Positions XXX Positions	Dip Spacing 0 No 1 1.27mm 2 2.54mm 3 7.62mm 4 10.16mm 6 2.50mm 7 3.00mm 8 3.80mm 9 4.10mm A 2.00mm S Special	Insulator Height 0 No 1 1.20mm 2 1.30mm 3 2.00mm 4 2.40mm 6 2.20mm 7 2.80mm 8 3.80mm 9 4.10mm A 4.20mm B 7.00mm S Special	Insulator type E PPS Single Row F PPS Two Row	Pin Plated 0 No 1 Tin120u" 2 Tin200u" 3 Gold0.4u" 4 Gold0.8u" 5 Gold1u" 6 Gold1.5u" 7 Gold2u" 8 Gold3u" 9 Gold5u" A Gold8u" B Gold15u" C Gold15u" D Gold30u" E Ag plated F Nickel 80u"	Clip plated 00 No 1 Tin120u" 2 Tin200u" 3 Gold0.4u" 4 Gold0.8u" 5 Gold1u" 6 Gold1.5u" 7 Gold2u" 8 Gold3u" 9 Gold5u" A Gold8u" B Gold15u" C Gold15u" D Gold30u" E Ag plated F Nickel 80u"	Pin length(mm) XXXXX XX.Xmm S Special	Insulator Option 0 No	Series 00 No	

ANYCONN®
 www.anyconn.com
 TEL:+86(0)769 8904 9672
 FAX:+86(0)769 8904 9671
 E-MAIL:sales@anyconn.com

东莞市恩康电子科技有限公司
DONGGUAN ENKANG ELECTRONICS TECHNOLOGY CO.,LTD

TOLERANCE	DATE :	2020-10-17	TITLE:	PH1.27 IC Sockets Fmale Single Row SMT			
ANGLE ±5°	DRAWN :	Songjun	PART NO: PHXXXX09EX00XXXXX000				
X.XXX ±0.15	CHECKED :						
X.XX ±0.25	APPROVED :						
X.X ±0.40	PROJECTON		REV: A0	UNIT: mm	SCALE: 1:1	SIZE: A4	PAGE: 1/1
X. ±0.50							