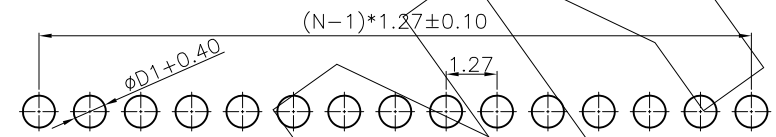
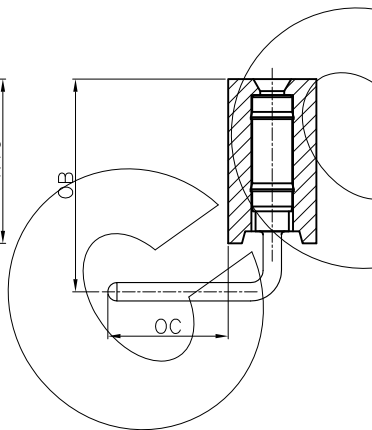
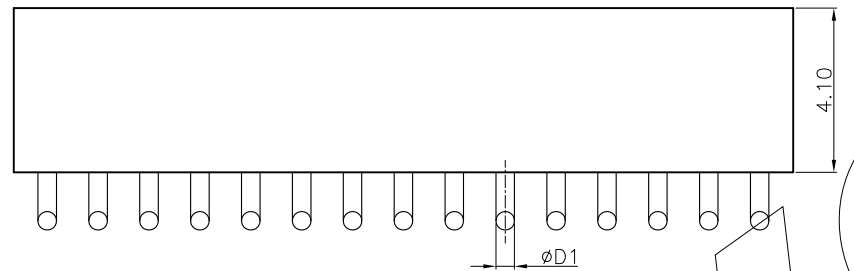
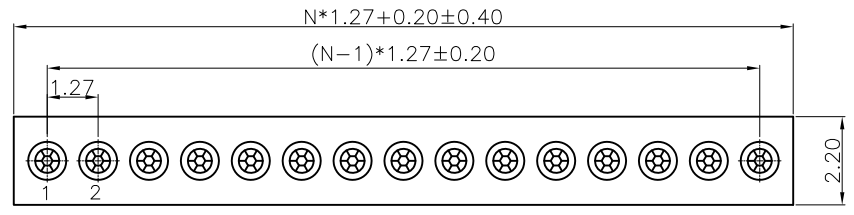


### Technical Data

Material:  
 Contact Material: Copper Alloy  
 Contact plating: Au or Sn Over Ni  
 Insulator Material: PPS, UL94 V-0

Electrical:  
 Rating current: 1Amps/contact max.  
 Rating voltage : 60 V AC/DC  
 Contact resistance:  $\leq 4m\Omega$ /contact  
 Insulation resistance:  $\geq 1000M\Omega$   
 Withstanding Voltage: 500V AC/minute

Mechanical:  
 Operating temperatures: Gold Plated:  $-55^{\circ}C$  to  $+105^{\circ}C$   
 Tin plated:  $-40^{\circ}C$  to  $+105^{\circ}C$   
 Soldering temperature:  $+260^{\circ}C$ , max(PPS)



Recommended PCB Layout  
 General Tolerance  $\pm 0.05$

	OC	OB	D1
DIM.	2.00	5.00	0.40
	2.50	5.45	0.55
	2.80	5.80	0.60
Dim OC&OB&D1 can be customized by customers			

PH	R	XXX	0	9	E	X	00	XXXXX	0	00
Angel Options D 180° R 90° S SMT H H-SMT	No. of Positions XXX Positions	Pin Spacing 0 No 1 1.27mm 2 2.54mm 3 2.00mm 4 2.54mm 5 2.20mm 6 10.16mm 7 3.00mm 8 3.90mm 9 4.10mm A 2.00mm S Special	Insulator Height 0 No 1 1.20mm 2 1.90mm 3 2.00mm 4 2.10mm 5 2.20mm 6 2.80mm 7 3.00mm 8 3.90mm 9 4.10mm A 4.20mm B 7.20mm S Special	Insulator type E PPS Single Row F PPS Two Row	Pin Plated 0 No 1 Tin20u" 2 Tin200u" 3 Gold0.4u" 4 Gold0.8u" 5 Gold1u" 6 Gold1.5u" 7 Gold2u" 8 Gold3u" 9 Gold5u" A Gold8u" B Gold10u" C Gold15u" D Gold30u" E Ag plated F Nickel 80u"	Clip plated 0 No 1 Tin20u" 2 Tin200u" 3 Gold0.4u" 4 Gold0.8u" 5 Gold1u" 6 Gold1.5u" 7 Gold2u" 8 Gold3u" 9 Gold5u" A Gold8u" B Gold10u" C Gold15u" D Gold30u" E Ag plated F Nickel 80u"	Pin length(mm) XXXXX XX.Xmm S Special	Insulator Option 0 No	Series 00 No	

**ANYCONN®** 东莞市恩康电子科技有限公司  
 www.anyconn.com  
 TEL:+86(0)769 8904 9672  
 FAX:+86(0)769 8904 9671  
 E-MAIL:sales@anyconn.com

**DONGGUAN ENKANG ELECTRONICS TECHNOLOGY CO.,LTD**

TOLERANCE	DATE : 2020-10-17	TITLE:
ANGLE $\pm 5^{\circ}$	DRAWN : Songjun	PH1.27 IC Sockets Fmale Single Row 90° DIP
X.XXX $\pm 0.15$	CHECKED :	PART NO: PHRXXX09EX00XXXXX000
X.XX $\pm 0.25$	APPROVED :	
X.X $\pm 0.40$	PROJECTON	
X. $\pm 0.50$		REV: A0 UNIT: mm SCALE: 1:1 SIZE: A4 PAGE: 1/1