

零件图	成品图	客户图
		○

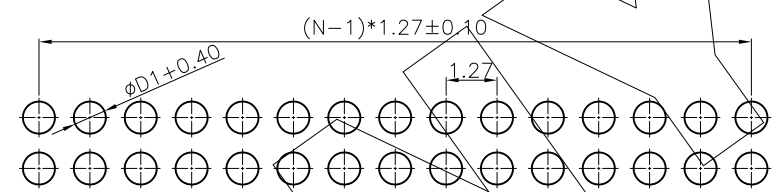
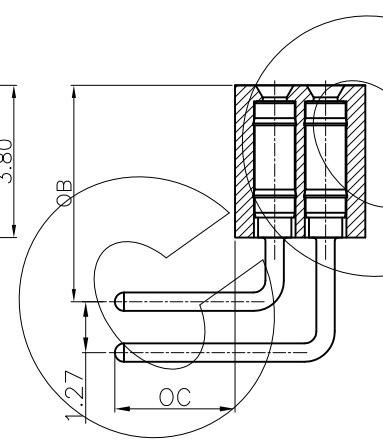
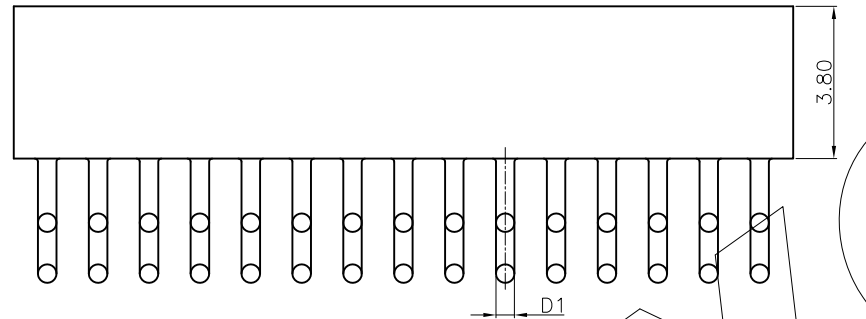
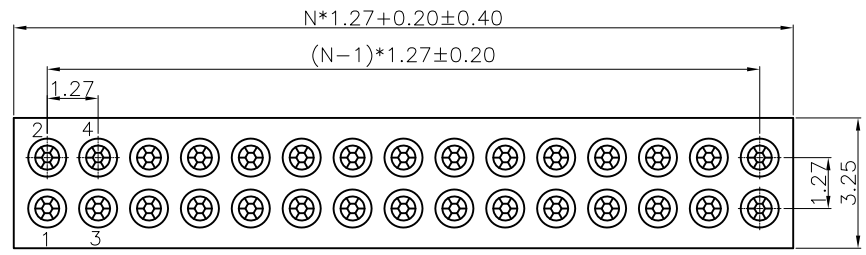
REVISION DATA				
REV	ECN No.	DESCRIPTION	NAME	DATE
A0		NEW DRAWING	Songjun	2020-10-17

Technical Data

Material:
 Contact Material: Copper Alloy
 Contact plating: Au or Sn Over Ni
 Insulator Material: PPS, UL94 V-0

Electrical:
 Rating current: 1Amps/contact max.
 Rating voltage : 60 V AC/DC
 Contact resistance: $\leq 4m\Omega$ /contact
 Insulation resistance: $\geq 1000M\Omega$
 Withstanding Voltage: 500V AC/minute

Mechanical:
 Operating temperatures: Gold Plated: $-55^{\circ}C$ to $+105^{\circ}C$
 Tin plated: $-40^{\circ}C$ to $+105^{\circ}C$
 Soldering temperature: $+260^{\circ}C$, max(PPS)



Recommended P.C.B Layout
 General Tolerance ± 0.05

	OC	OB	D1
DIM.	2.00	5.00	0.40
	2.50	5.45	0.55
	2.80	5.80	0.60

Dim OC&OB&D1 can be customized by customers

PH	R	XXX	1	8	E	X	00	XXXXX	0	00
Angel Options D 180° R 90° S SMT H H-SMT	No. of Positions XXX Positions	Dip Spacing 0 No 1 1.27mm 2 2.54mm 3 7.62mm 4 10.16mm 5 2.50mm 6 15.24mm 7 2.80mm 8 3.80mm 9 4.10mm A 2.00mm S Special	Insulator Height 0 No 1 1.20mm 2 1.90mm 3 2.80mm 4 2.10mm 5 2.80mm 6 3.80mm 7 3.00mm 8 3.80mm 9 4.10mm A 4.20mm B 7.00mm S Special	Insulator type E PPS Single Row F PPS Two Row	Pin Plated 0 No 1 Tin20u" 2 Tin200u" 3 Gold0.4u" 4 Gold0.8u" 5 Gold1u" 6 Gold1.5u" 7 Gold2u" 8 Gold3u" 9 Gold5u" A Gold8u" B Gold10u" C Gold15u" D Gold30u" E Ag plated F Nickel 80u"	Clip plated 0 No 1 Tin20u" 2 Tin200u" 3 Gold0.4u" 4 Gold0.8u" 5 Gold1u" 6 Gold1.5u" 7 Gold2u" 8 Gold3u" 9 Gold5u" A Gold8u" B Gold10u" C Gold15u" D Gold30u" E Ag plated F Nickel 80u"	Pin length(mm) XXXXX XXXmm S Special	Insulator Option 0 No	Series 00 No	

ANYCONN® 东莞市恩康电子科技有限公司
 www.anyconn.com
 TEL:+86(0)769 8904 9672
 FAX:+86(0)769 8904 9671
 E-MAIL:sales@anyconn.com

DONGGUAN ENKANG ELECTRONICS TECHNOLOGY CO.,LTD

TOLERANCE	DATE : 2020-10-17	TITLE:
ANGLE $\pm 5^{\circ}$	DRAWN : Songjun	PH1.27 IC Sockets Fmale Dual Row 90° DIP
X.XXX ± 0.15	CHECKED :	PART NO: PHRXXX18EX00XXXXX000
X.XX ± 0.25	APPROVED :	
X.X ± 0.40	PROJECTON	
X. ± 0.50		

REV: A0 UNIT: mm SCALE: 1:1 SIZE: A4 PAGE: 1/1