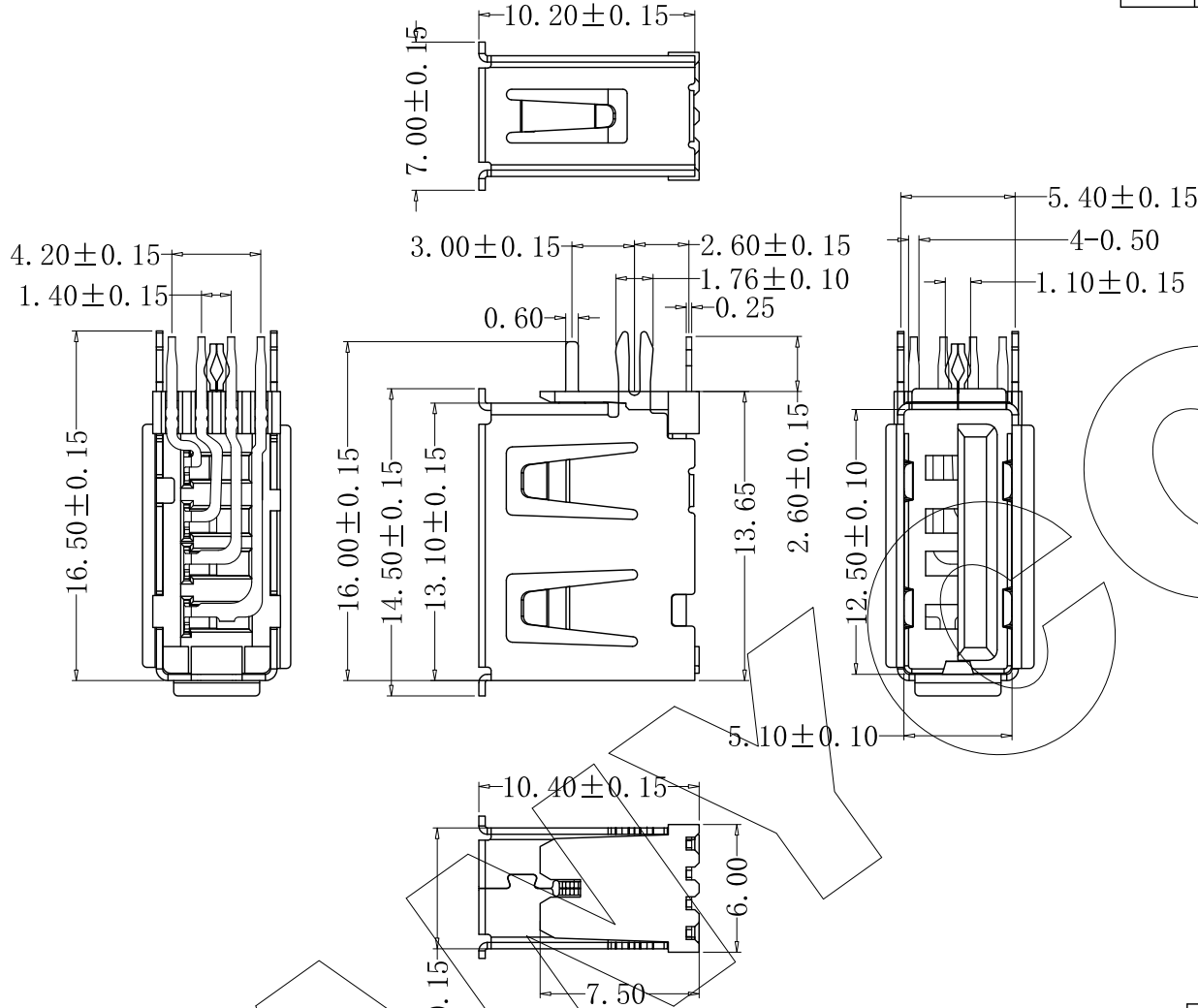


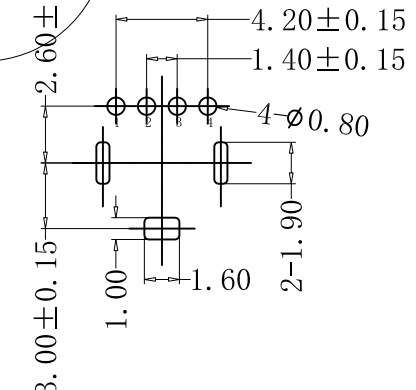
零件图	成品图	客户图
		○

REVISION DATA				
REV	ECN No.	DESCRIPTION	NAME	DATE
A0		NEW DRAWING	TIAN	2018-06-11



NOTE:

- Material:
 - Housing: Thermoplastics, UL94V-0 (ROHS, HF)
 - Contact: Phosphor Bronze C5191-EH/C2680-BH, T=0.25mm
 - Shell: COPPER ALLOY T=0.38mm
- FINISH:
 - Contact: 15u" Gold Plated on Contact Area, 80u" Min. Tin Plated on Solder Area
 - 50u" Min. Nickel Underplating Over All.
 - Shell: 50u" Min. Nickel Underplating Over All.
- Specification:
 - 3.1: Rating:
 - Rated voltage 500V AC/DC, Rated current: 2 A Max.
 - 3.2: Electrical:
 - Insulation Resistance(EIA-364-21): 1000MΩ Min. at 500V/DC for 1Minute.
 - Contact Resistance(EIA-364-23): 30 mΩ Max. at 20mV Max, 50mA
 - Dielectric Withstanding Voltage(EIA-364-20): No discharge, flashover or breakdown at 500V/AC 1minute
 - 4. Plug extraction force shall be between 1.0kgf and 2.00kgf
 - 5. Contact finish:
 - 01: Selective Gold Flash
 - 02: Selective Gold 30u"
 - 03: Selective Gold 50u"
 - 04: Selective Gold 150u"
 - 05: Selective Gold 300u"



USB147-XX

ANYCONN® 东莞市恩康电子科技有限公司
 www.anyconn.com
 TEL:+86(0)769 8904 9672
 FAX:+86(0)769 8904 9671
 E-MAIL:sales@anyconn.com

DONGGUAN ENKANG ELECTRONICS TECHNOLOGY CO.,LTD

TOLERANCE	DATE :	2018-06-11	TITLE:	USB AF侧插10.0外鱼叉内O脚有边		
ANGLE ±5°	DRAWN :	TIAN	APPROVED :	PART NO: USB147-XX		
X.XXX ±0.15	CHECKED :			REV: A0	UNIT: mm	SCALE: 1:1
X.XX ±0.25	PROJECTON			SIZE: A4	PAGE: 1/1	
X.X ±0.40						
X. ±0.50						