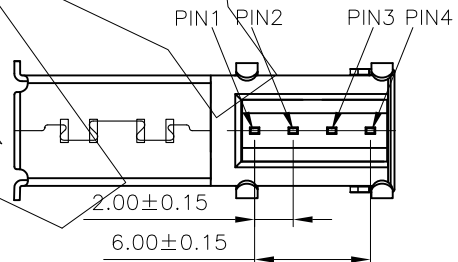
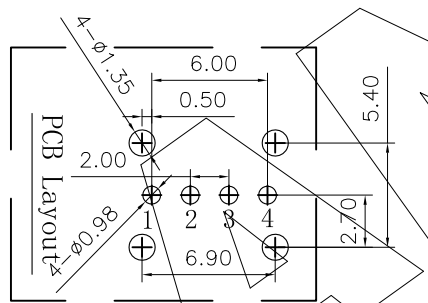
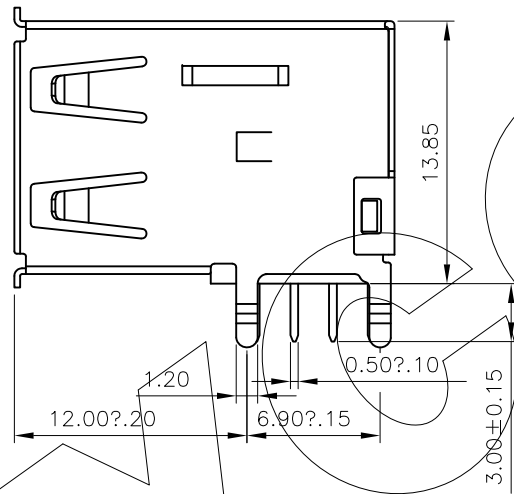
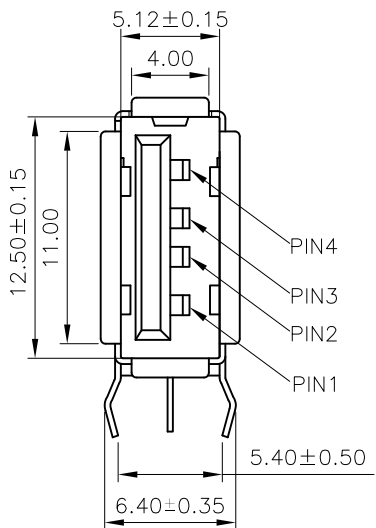
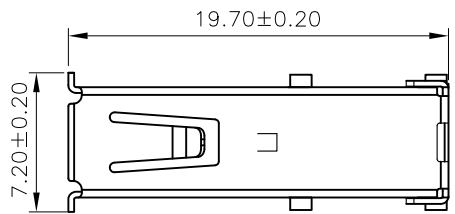


零件图	成品图	客户图
		○

REVISION DATA				
REV	ECN No.	DESCRIPTION	NAME	DATE
A0		NEW DRAWING	TIAN	2017-12-15



NOTES:
 1.MATERIAL:
 1.1 HOUSING: Black PBT+30%G.F UL94V-0
 1.2 COVER: Black PBT+30%G.F UL94V-0
 1.3 TERMINAL: C2680
 1.4 SHELL: SPCC
 2.SPECIFICATION:
 2.1 CURRENT RATING : 1.5A
 2.2 CURRENT VOLTAGE: 30V
 2.3 CONTACT RESISTANCE: 30mΩ MAX
 2.4 INSULATION RESISTANCE: 1000MΩ MIN
 2.5 WITHSTANDING VOLTAGE: 500V AC
 2.6 EXTRACTION FORCE: 3.57kgf MAX
 INSERTION FORCE: 1.02kgf MIN
 2.7 WORKING TEMPERATURE: -20℃~+85℃
 3.PLATING:
 3.1 TERMINAL: Au 1u" PLATED ON CONTACT AREA
 3.2 SHELL: Ni PLATED OVER ALL

CONTACT NUMBER	SIGNAL NAME
PIN1	VBUS
PIN2	D-
PIN3	D+
PIN4	GND

ANYCONN® 东莞市恩康电子科技有限公司
 www.anyconn.com
 TEL:+86(0)769 8904 9672
 FAX:+86(0)769 8904 9671
 E-MAIL:sales@anycom.tw
DONGGUAN ENKANG ELECTRONICS TECHNOLOGY CO.,LTD

TOLERANCE	DATE :	2017-12-15	TITLE:	USB2.0 A/F DIP		
ANGLE ±5°	DRAWN :	SJ	APPROVED :	PART NO: USB026		
X.XXX ±0.15	CHECKED :			REV: A0	UNIT: mm	SCALE: 1:1
X.XX ±0.25	PROJECTON			SIZE: A4	PAGE: 1/1	
X.X ±0.40						
X. ±0.50						