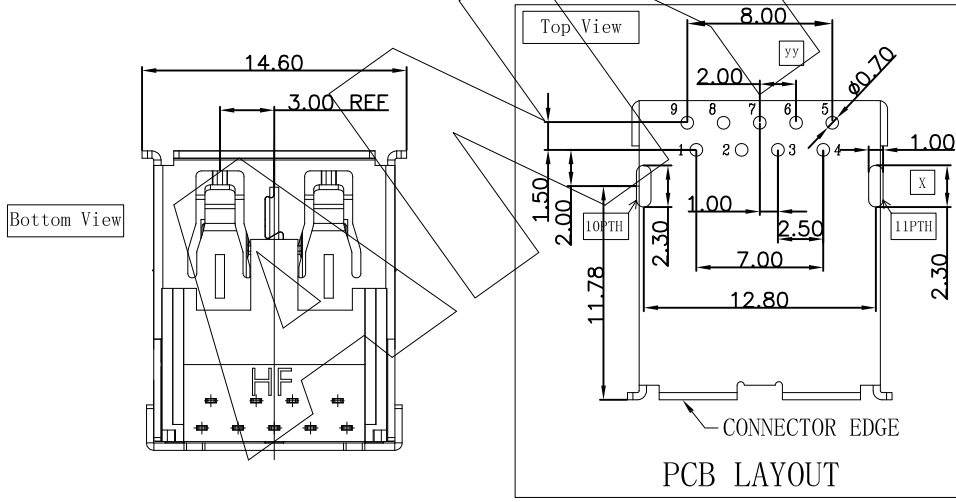
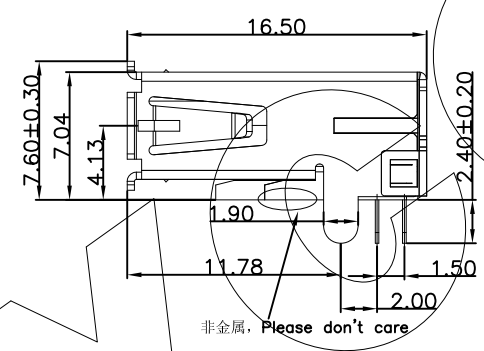
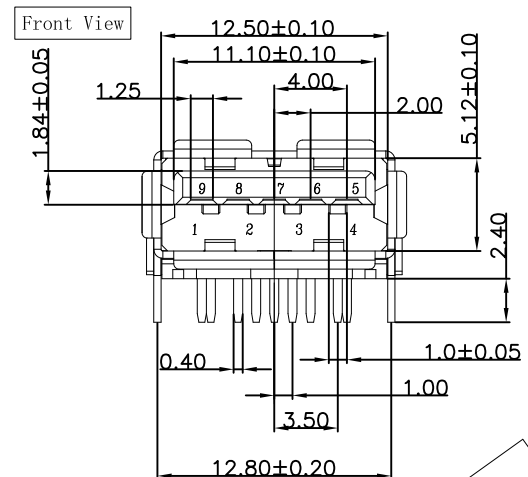
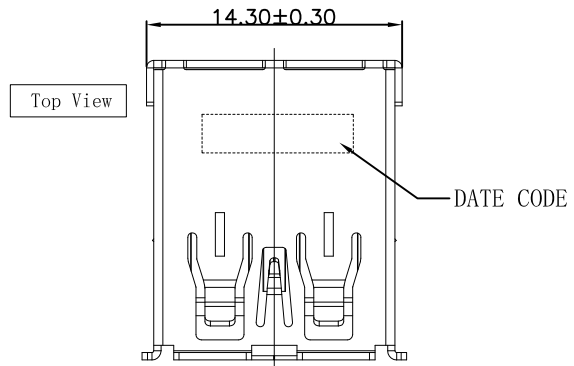


零件图	成品图	客户图
		○

REVISION DATA				
REV	ECN No.	DESCRIPTION	NAME	DATE
A0		NEW DRAWING	TIAN	2018-06-14



- NOTES:
SPECIFICATION:
1. RATED VOLTAGE AND CURRENT: 1A MAX
 2. DIELECTRIC WITHSTANDING VOLTAGE: 30V(AC) FOR 1 minute
 3. CONTACT RESISTANCE: BEFORE LIFE TEST 30m ohm MAX
AFTER LIFE TEST 50m ohm MAX
 4. INSULATION RESISTANCE: 100M ohm MIN AT DC 250V
 5. INSERTION FORCE: 35N MAX
 6. EXTRACTION FORCE: 10N MIN
 7. SOLDERABILITY: TERMINAL SHALL BE IMMERSED IN FLUX BEFORE TEST, THEN DIP IN MOLTEN SOLDER FOR 5±0.5 SECOND. AT 260±5°C
 8. TEMPERATURE RANGE: -55°C +85°C

5	Shell	1	S50C	T=0.40mm	80u"min Nickel Plated
4	Contact 2	5	Brass	T=0.20mm	Contact area:0.8/10/30u" Gold Plated over 50u" Nickel min Soder area:100u"min matte Tin Plated over 50u"Nickel min(or All gold plated)
3	Contact 1	4	Phosphor bronze	T=0.20mm	Contact area:0.8/10/30u" Gold Plated over 50u" Nickel min Soder area:100u"min matte Tin Plated over 50u"Nickel min(or All gold plated)
2	Hood	1	PA9T	UL94V-0	Blue(300C)Black
1	Housing	1	PA9T	UL94V-0	Blue(300C)Black
No.	Name	Qty	Material	Remarks & Thickness	Finish

ANYCONN® 东莞市恩康电子科技有限公司
 www.anyconn.com
 TEL:+86(0)769 8904 9672
 FAX:+86(0)769 8904 9671
 E-MAIL:sales@anyconn.com
DONGGUAN ENKANG ELECTRONICS TECHNOLOGY CO.,LTD

TOLERANCE	DATE :	2017-06-14	TITLE:
ANGLE ±5°	DRAWN :	Zhang	USB3.0 AF正向DIP2.9 蛙脚型
X.XXX ±0.15	CHECKED :		PART NO: USB097
X.XX ±0.25	APPROVED :		
X.X ±0.40	PROJECTON		
X. ±0.50	REV: A0	UNIT: mm	SCALE: 1:1
		SIZE: A4	PAGE: 1/1

零件图 成品图 客户图

4

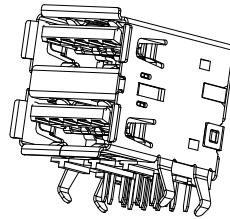
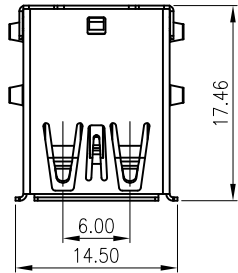
3

2

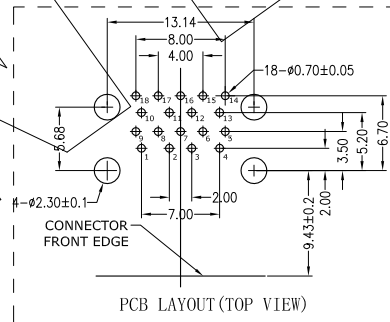
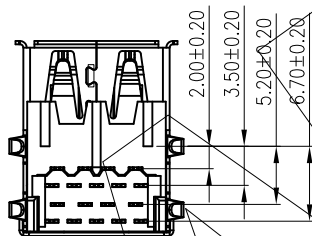
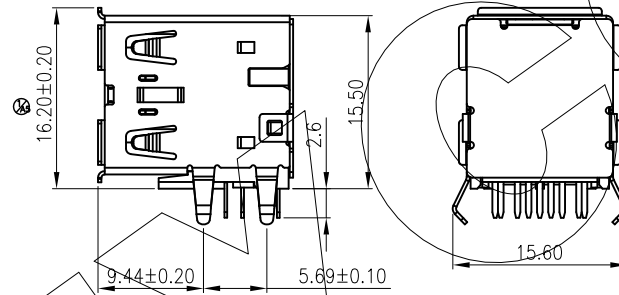
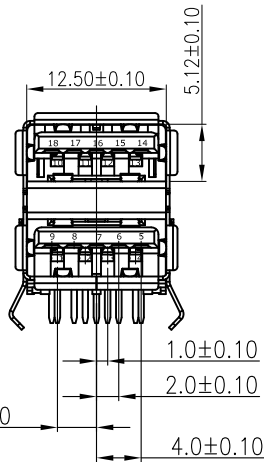
1

REVISION DATA

REV	ECN No.	DESCRIPTION	NAME	DATE
A0		NEW DRAWING	TIAN	2018-06-25



- SPECIFICATIONS:
- 1.0 ELECTRICAL PERFORMANCE:
 - 1.1 CONTACT CURRENT RATING:
 - 1.80 AMPERES FOR VBUS AND GND CONTACTS
 - 0.25 AMPERES FOR ALL OTHER CONTACTS
 - 1.2 DIELECTRIC WITHSTANDING VOLTAGE: AC 100V(RMS).
 - 1.3 INSULATION RESISTANCE: 100M OHMS MIN
 - 1.4 CONTACT RESISTANCE:
 - 30M OHM MAX FOR VBUS AND GND CONTACTS
 - 50M OHM MAX FOR ALL OTHER CONTACTS
 - 1.5 VOLTAGE RATING : 30 VAC (RMS)
 - 2.0 MECHANICAL PERFORMANCE:
 - 2.1 MATING FORCE: 35N MAX
 - 2.2 UNMATING FORCE: 10N MIN; 8N MIN AFTER DURABILITY.
 - 3.0 ENVIRONMENTAL PERFORMANCE:
 - 3.1 TEMPERATURE RANGE:
 - 3.1.1 OPERATING TEMPERATURE: -55°C TO +85°C
 - 3.1.2 STORAGE TEMPERATURE: -20°C TO +60°C
 - 3.2 SALT SPRAY 24H MIN
 - 4.0 MATERIAL:
 - 4.1 HOUSING: SEE TABLE UL94 V-0
 - 4.2 CONTACT: 2.0 CONTACTS C5191
3.0 CONTACTS C2680
 - 4.3 SHELL: SEE TABLE
 - 5.0 PLATING:
 - 5.1 CONTACT: AU PLATED ON CONTACT AREA
TIN 100U" PLATED ON SOLDER AREA
NICKEL 50U" PLATED UNDERPLATING OVER ALL.
 - 5.2 SHELL: NICKEL 50U" PLATED.



ANYCONN®
www.anyconn.com
TEL:+86(0)769 8904 9672
FAX:+86(0)769 8904 9671
E-MAIL:sales@anyconn.com

东莞市恩康电子科技有限公司

DONGGUAN ENKANG ELECTRONICS TECHNOLOGY CO.,LTD

TOLERANCE	DATE :	2018-06-25	TITLE:			
ANGLE ±5°	DRAWN :	TIAN	USB3.0 A/F DOUBLE DECK 90° DIP			
X.XXX ±0.15	CHECKED :		PART NO: USB120			
X.XX ±0.25	APPROVED :					
X.X ±0.40	PROJECTON		REV: A0	UNIT: mm	SCALE: 1:1	PAGE: 1/1
X. ±0.50						

4

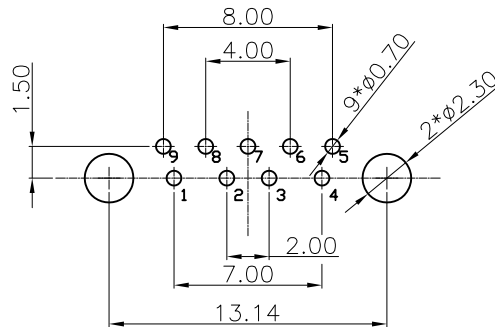
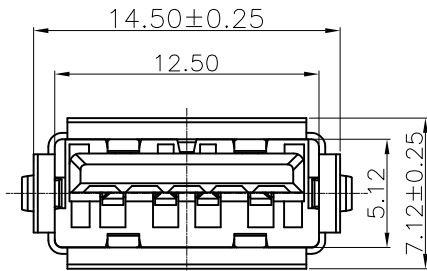
3

2

1

零件图	成品图	客户图
		○

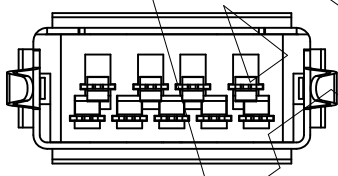
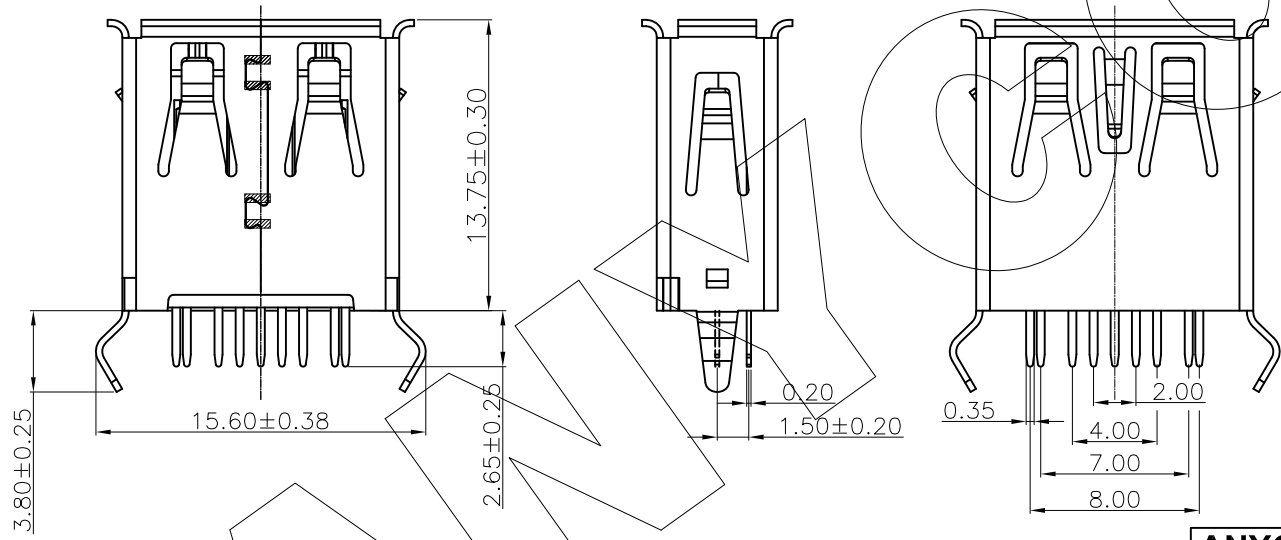
REVISION DATA				
REV	ECN No.	DESCRIPTION	NAME	DATE
A0		NEW DRAWING	ANSEN	2020-04-09



RECOMMENDED PCB LAYOUT
TOL:±0.05

NOTE:

- MATERIAL:
 - INSULATOR:HIGH TEMPERATURE PLASTIC
 - CONTACT:BRONZE AND BRASS
 - SHELL:BRASS
- ELECTRICAL CHARACTERISTICS;
 - CONTACT RESISTANCE:30mΩ MAXIMUM
 - CONTACT CURRENT RATING:1.5A
 - DIELECTRIC WITHSTANDING VOLTAGE:100 V AC R.M.S.
 - INSULATION RESISTANCE 100 MEGOHMS MIN
 - OPERATING TEMPERATURE:-40℃ ~ 85℃
- MECHANICAL CHARACTERISTICS:
 - MATING FORCE:3.57kgf MAX
 - UNMATED FORCE:0.82kgf MIN AFTER TEST
 - DURABILITY MANDATORY:1,500 CYCLES
 - SALT SPRAY: 12 HOURS
- PLATING
 - TERMINAL:
 - NICKEL UNDER PLATED
 - Tin ON SOLDER AREA
 - 1u"Au ON CONTACT AREA
 - SHELL:NICKEL PLATED OVER ALL



ANYCONN®
www.anyconn.com
TEL:+86(0)769 8904 9672
FAX:+86(0)769 8904 9671
E-MAIL:sales@anycom.tw

东莞市恩康电子科技有限公司
DONGGUAN ENKANG ELECTRONICS TECHNOLOGY CO.,LTD

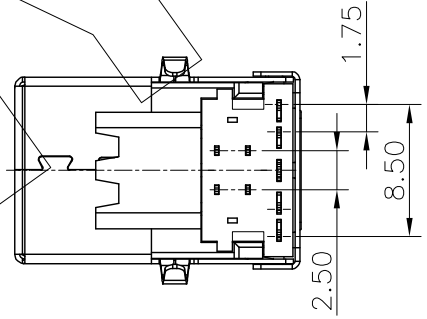
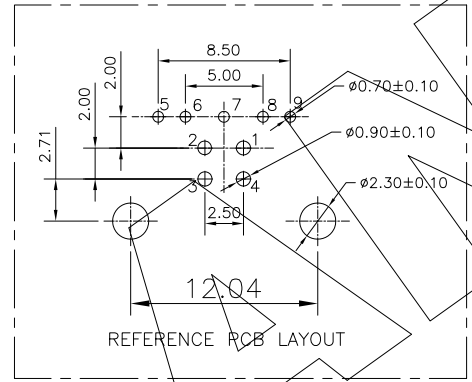
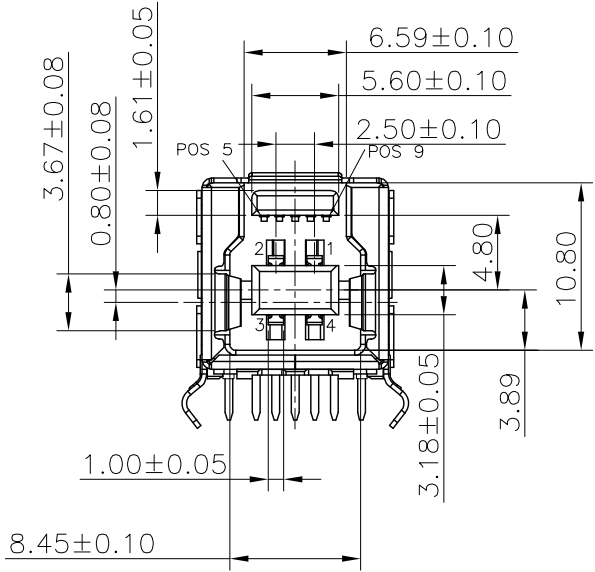
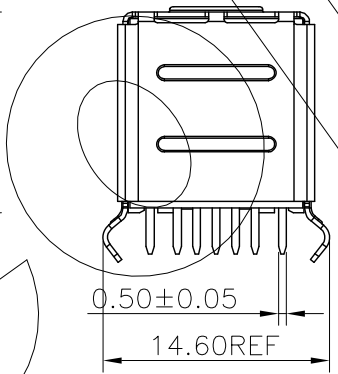
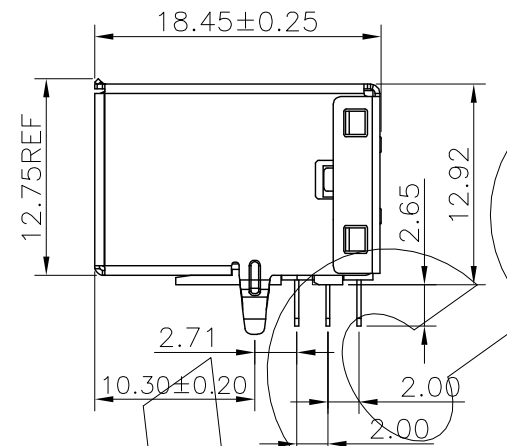
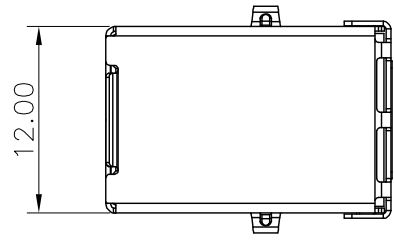
TOLERANCE	DATE :	2020.04.09	TITLE:	USB3.0 A/F DIP直立式 H=13.75								
ANGLE ±5°	DRAWN :	ANSEN	PART NO: USB203									
X.XXX ±0.15	CHECKED :											
X.XX ±0.25	APPROVED :		REV:	A0	UNIT:	mm	SCALE:	1:1	SIZE:	A4	PAGE:	1/1
X.X ±0.40	PROJECTON											
X. ±0.50												

零件图	成品图	客户图
		○

REVISION DATA				
REV	ECN No.	DESCRIPTION	NAME	DATE
A0		NEW DRAWING	JIN	2020-08-28

SPECIFICATIONS:

- CONTACT CURRENT RATING:
1.8A FOR PIN1 & PIN4
0.25A OTHER CONTACTS
- DIELECTRIC WITHSTANDING VOLTAGE: AC 100V(RMS)
- INSULATION RESISTANCE: 100MΩ MIN
- CONTACT RESISTANCE:
30mΩ MAX FOR PIN1&PIN4
50mΩ MAX FOR OTHER CONTACTS
- MECHANICAL CHARACTERISTICS:
MATING FORCE: 35N MAX
UNMATING FORCE: 10N MIN
8N MIN AFTER DURABILITY
- MATERIAL:
HOUSING: PBT+30%G/F UL94V-0 COLOR: BLUE
CONTACT: COPPER ALLOY(T=0.25mm)
SHELL: BRASS
- PLATING:
CONTACT: Au PLATED ON CONTACT AREA
TIN PLATED ON SOLDER AREA
Nickel UNDERPLATING OVER ALL
SHELL: Nickel PLATED
OPERATING: TEMPERATURE: -55~+85°C



Pin Number	Signal name	Pin Number	Signal name
1	VBUS	5	StdB_SSTX-
2	D-	6	StdB_SSTX+
3	D+	7	GND_DRAIN
4	GND	8	StdB_SSRX-
Shell	Shield	9	StdB_SSRX+

ANYCONN®
www.anyconn.com
TEL:+86(0)769 8904 9672
FAX:+86(0)769 8904 9671
E-MAIL:sales@anyconn.com

东莞市恩康电子科技有限公司
DONGGUAN ENKANG ELECTRONICS TECHNOLOGY CO.,LTD

TOLERANCE	DATE :	2020-08-28	TITLE:	USB3.0 B/F 90° DIP H=12.9	
ANGLE ±5°	DRAWN :	JIN	PART NO: USB222		
X.XXX ±0.15	CHECKED :				
X.XX ±0.25	APPROVED :				
X.X ±0.40	PROJECTON		REV: A0	UNIT: mm	SCALE: 1:1
X. ±0.50			SIZE: A4	PAGE: 1/1	