

REVISION DATA

REV	ECN No.	DESCRIPTION	NAME	DATE
A0		NEW DRAWING	D.Y.Y	2020-05-12

NOTES:

- MATERIAL:
  - MOLDING: LCP UL94V-0
  - CONTACT: C1814.
  - GOLD PLATED 1U" Min ON CONTACT AREA,
  - 100u" Min TIN ON SOLDER AREA,
  - 50u" NICKEL PLATING OVER ALL.
  - SHELL: SUS304-H,T=0.30±0.03mm
  - 50u" NICKEL PLATING OVER ALL.
  - SHILD: SUS301-H,T=0.20±0.03mm
- MECHANICAL:
  - INSERTION: 5~20N.
  - EXTRACTION: 8~20N AFTER TEST.
  - DURABILITY: 10000 CYCLES
- ELECTRICAL:
  - CURRENT: 5A FOR VBUS;
  - 1.25A FOR GND PIN.
  - 0.25A FOR OTHER.
  - VOLTAGE: 20 V MAX
  - WITHSTANDING VOLTAGE: 100V AC R.M.S.
  - CONTACT RESISTANCE: 40mΩ MAX.
  - INSULATION RESISTANCE: 100MΩ MIN.
- ENVIRONMENTAL
  - TEMPERATURE RANGE -25°C ~ +85°C

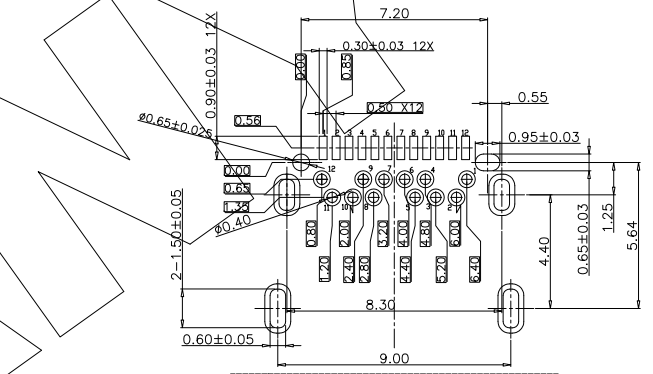
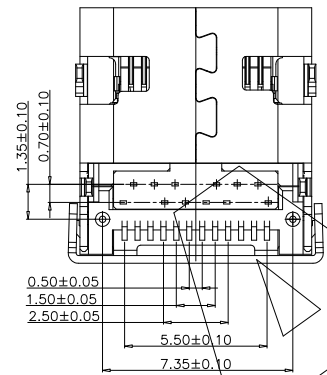
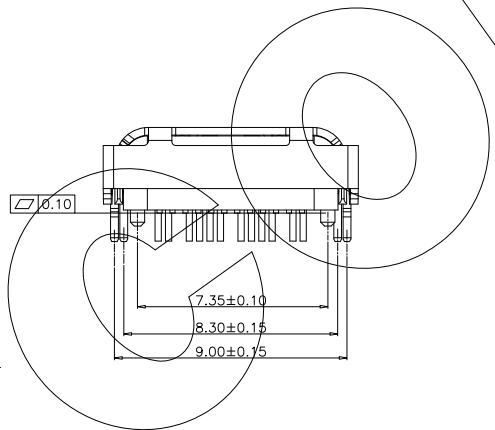
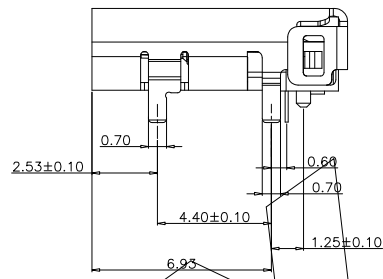
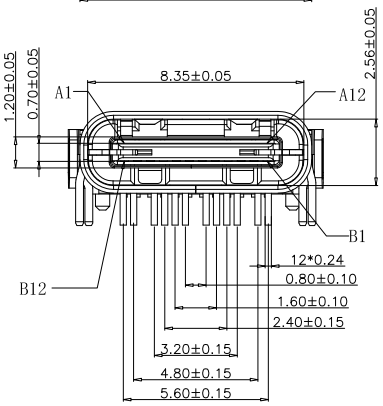
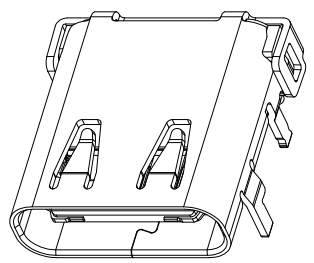
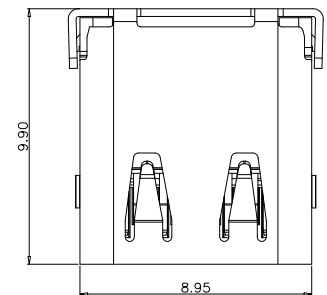
A1	GND	B12	GND
A2	SSTXP1	B11	SSRXP1
A3	SSTXN1	B10	SSRXN1
A4	VBUS	B9	VBUS
A5	CC1	B8	SBU2
A6	DP1	B7	DN2
A7	DN1	B6	DP2
A8	SBU1	B5	CC2
A9	VBUS	B4	VBUS
A10	SSRXN2	B3	SSTXN2
A11	SSRXP2	B2	SSTXP2
A12	GND	B1	GND

NO	DESCRIPTION	MATERIAL	REMARKS	QTY
5	铁壳	SUS 201, T=0.30	NI Plated	1PCS
4	薄片	SUS 316, T=0.10	---	1PCS
3	铁片	SUS 304, T=0.20	---	1PCS
2	端子	C1814, T=0.12	Au/Ni Plated	2SET
1	半成品	LCP UL94V-0	BLACK	1PCS

**ANYCONN**®  
www.anyconn.com  
TEL:+86(0)769 8904 9672  
FAX:+86(0)769 8904 9671  
E-MAIL:sales@anyconn.tw

**东莞市恩康电子科技有限公司**  
**DONGGUAN ENKANG ELECTRONICS TECHNOLOGY CO.,LTD**

TOLERANCE	DATE :	2020-05-12	TITLE:
ANGLE ±5°	DRAWN :	D.Y.Y	TYPE C母座24P板上前插后贴半包式L=9.87
X.XXX ±0.15	CHECKED :		PART NO: USB207
X.XX ±0.25	APPROVED :		
X.X ±0.40	PROJECTON		
X. ±0.50	REV: A0	UNIT: mm	SCALE: 1:1
		SIZE: A4	PAGE: 1/1



CONNECTOR FRONT EDGE

RECOMMENDED P.C.B. LAYOUT (T:1.00mm)  
TOLERANCE UNSPECIFIED ±0.05mm