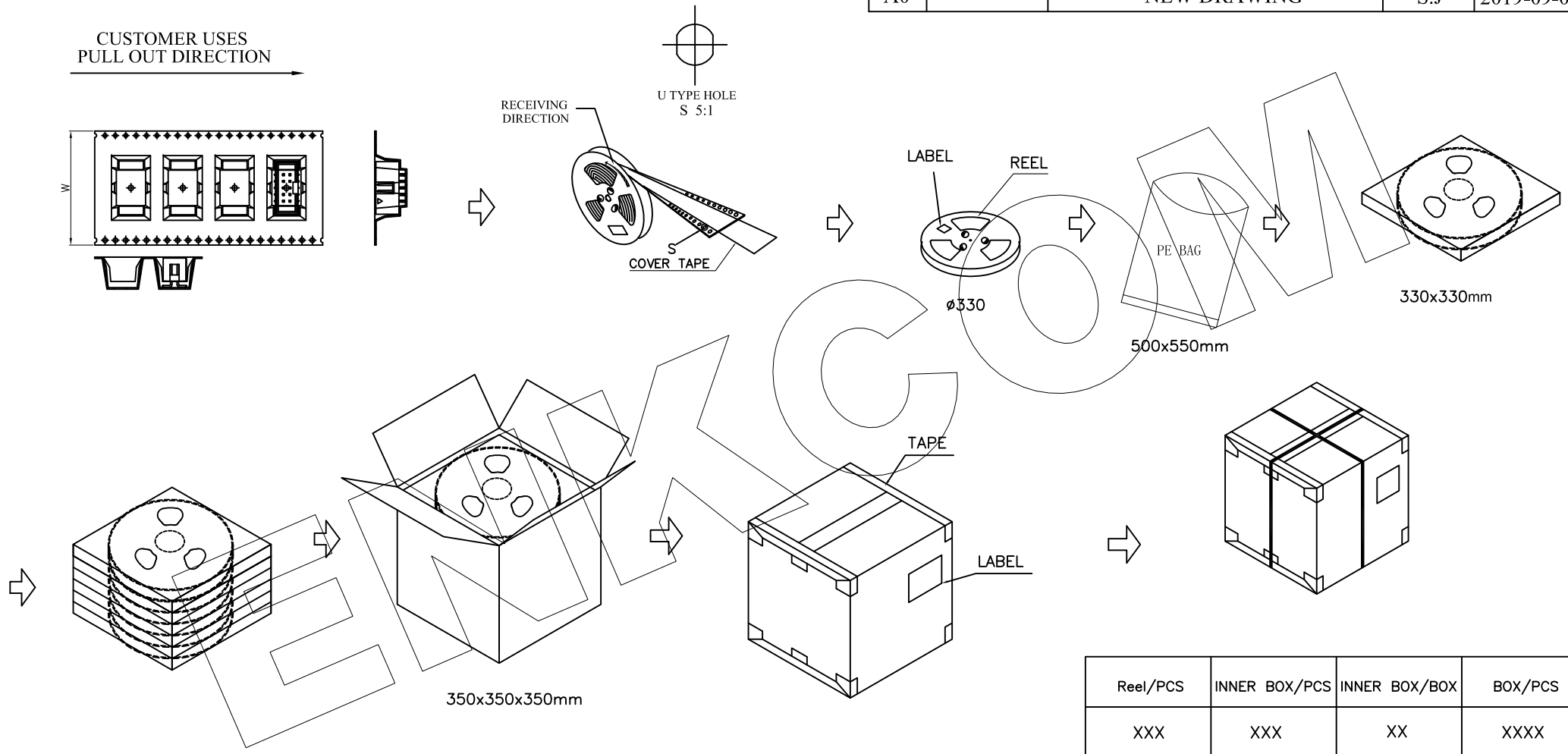


| REVISION DATA |         |             |      |            |
|---------------|---------|-------------|------|------------|
| REV           | ECN No. | DESCRIPTION | NAME | DATE       |
| A0            |         | NEW DRAWING | S.J  | 2019-09-09 |



| Reel/PCS | INNER BOX/PCS | INNER BOX/BOX | BOX/PCS |
|----------|---------------|---------------|---------|
| XXX      | XXX           | XX            | XXXX    |

**PACKAGE DESCRIPTION:**  
 STEP 1: PUT THE FINISHED PRODUCT INTO THE REEL OF REEL, AND LABEL EACH ROLL  
 STEP 2: PUT THE REEL INTO THE VACUUM BAG, REMOVE THE VACUUM, AND THEN PUT IT INTO THE INNER BOX. STEP 3: FOLD THE INNER BOX AND PUT IT INTO AN OUTER BOX  
 STEP 4: SEAL THE BOX WITH ADHESIVE TAPE  
 STEP 5: LABEL THE UPPER RIGHT CORNER OF THE UPPER SIDE OF THE OUTER BOX  
 STEP 6: PACK THE TIE

**ENKCOM®** 东莞市恩康电子科技有限公司  
 www.enkcom.com  
 TEL:+86(0)769 8904 9672  
 FAX:+86(0)769 8904 9671  
 E-MAIL:sales@anycom.tw  
**DONGGUAN ENKANG ELECTRONICS TECHNOLOGY CO.,LTD**

|            |             |            |        |                                |       |    |        |     |       |    |       |     |
|------------|-------------|------------|--------|--------------------------------|-------|----|--------|-----|-------|----|-------|-----|
| TOLERANCE  | DATE :      | 2019-09-09 | TITLE: | PH2.54 Box Header-Reel Packing |       |    |        |     |       |    |       |     |
|            | ANGLE ±5°   | DRAWN :    | S.J    | PART NO: BHXXXXX12XXXXXXXXXXXX |       |    |        |     |       |    |       |     |
|            | X.XXX ±0.15 | CHECKED :  |        |                                |       |    |        |     |       |    |       |     |
| X.XX ±0.25 | APPROVED :  |            | REV:   | A1                             | UNIT: | mm | SCALE: | 1:1 | SIZE: | A4 | PAGE: | 1/1 |
| X.X ±0.40  | PROJECTON   |            |        |                                |       |    |        |     |       |    |       |     |
| X. ±0.50   |             |            |        |                                |       |    |        |     |       |    |       |     |